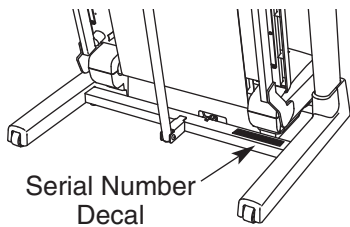


# **NordicTrack**<sup>®</sup> **C2400**

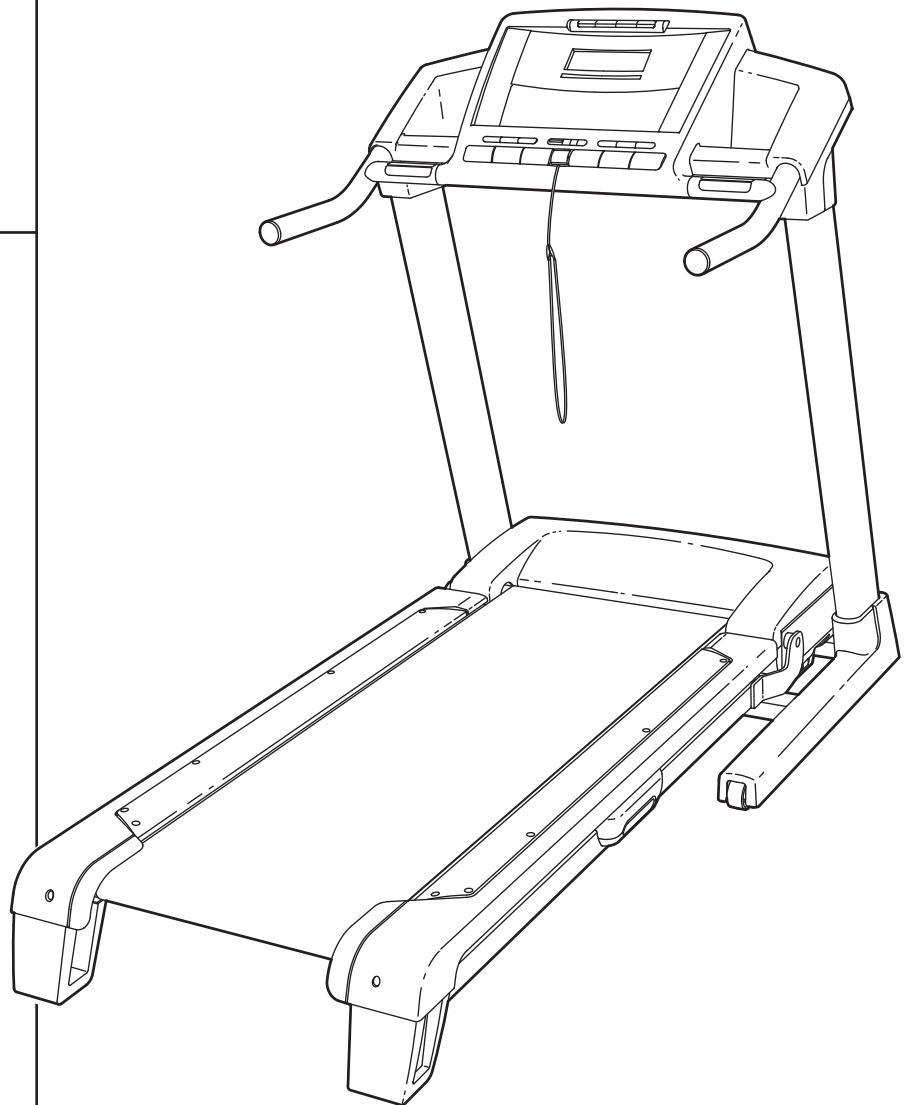
Model No. NTL09806.0

Serial No. \_\_\_\_\_

Find the serial number in the location shown below. Write the serial number in the space above for reference.



## **USER'S MANUAL**



### **QUESTIONS?**

As a manufacturer, we are committed to providing complete customer satisfaction. If you have questions, or if parts are damaged or missing, **PLEASE CONTACT OUR CUSTOMER SERVICE DEPARTMENT DIRECTLY.**

CALL TOLL-FREE:

**1-888-825-2588**

Mon.–Fri., 6 a.m.–6 p.m. MST

ON THE WEB:

[www.nordictrackservice.com](http://www.nordictrackservice.com)

### **⚠ CAUTION**

Read all precautions and instructions in this manual before using this equipment. Save this manual for future reference.



Visit our website at

[www.nordictrack.com](http://www.nordictrack.com)

new products, prizes,  
fitness tips, and much more!



---

## TABLE OF CONTENTS

IMPORTANT PRECAUTIONS .....	3
BEFORE YOU BEGIN .....	5
ASSEMBLY .....	6
OPERATION AND ADJUSTMENT .....	11
HOW TO FOLD AND MOVE THE TREADMILL .....	25
TROUBLESHOOTING .....	27
CONDITIONING GUIDELINES .....	29
PART LIST .....	30
ORDERING REPLACEMENT PARTS .....	31
EXPLODED DRAWING .....	32
LIMITED WARRANTY .....	Back Cover

# IMPORTANT PRECAUTIONS

**⚠ WARNING:** To reduce the risk of burns, fire, electric shock, or injury to persons, read the following important precautions and information before operating the treadmill.

1. It is the responsibility of the owner to ensure that all users of this treadmill are adequately informed of all warnings and precautions.
2. Use the treadmill only as described.
3. Place the treadmill on a level surface, with at least eight feet of clearance behind it and two feet on each side. Do not place the treadmill on any surface that blocks air openings. To protect the floor or carpet from damage, place a mat under the treadmill.
4. Keep the treadmill indoors, away from moisture and dust. Do not put the treadmill in a garage or covered patio, or near water.
5. Do not operate the treadmill where aerosol products are used or where oxygen is being administered.
6. Keep children under the age of 12 and pets away from the treadmill at all times.
7. The treadmill should not be used by persons weighing more than 325 pounds.
8. Never allow more than one person on the treadmill at a time.
9. Wear appropriate exercise clothes when using the treadmill. Do not wear loose clothes that could become caught in the treadmill. Athletic support clothes are recommended for both men and women. *Always wear athletic shoes. Never use the treadmill with bare feet, wearing only stockings, or in sandals.*
10. When connecting the power cord (see page 11), plug the power cord into a surge suppressor (not included) and plug the surge suppressor into a grounded circuit capable of carrying 15 or more amps. No other appliance should be on the same circuit. Do not use an extension cord.
11. Use only a single-outlet surge suppressor that meets all of the specifications described on page 11. To purchase a surge suppressor, see your local NordicTrack dealer or call the toll-free telephone number on the front cover of this manual and order part number 146148, or see your local electronics store.
12. Failure to use a properly functioning surge suppressor could result in damage to the control system of the treadmill. If the control system is damaged, the walking belt may change speed, accelerate, or stop unexpectedly, which may result in a fall and serious injury.
13. Keep the power cord and the surge suppressor away from heated surfaces.
14. Never move the walking belt while the power is turned off. Do not operate the treadmill if the power cord or plug is damaged, or if the treadmill is not working properly. (See TROUBLESHOOTING on page 27 if the treadmill is not working properly.)
15. Read, understand, and test the emergency stop procedure before using the treadmill (see HOW TO TURN ON THE POWER on page 13).
16. Never start the treadmill while you are standing on the walking belt. Always hold the handrails while using the treadmill.
17. The treadmill is capable of high speeds. Adjust the speed in small increments to avoid sudden jumps in speed.
18. The pulse sensor is not a medical device. Various factors, including the user's movement, may affect the accuracy of heart rate readings. The pulse sensor is intended only as an exercise aid in determining heart rate trends in general.
19. Never leave the treadmill unattended while it is running. Always remove the key, unplug the power cord, and switch the reset/off circuit breaker to the off position when the treadmill is not in use. (See the drawing on page 5 for the location of the reset/off circuit breaker.)
20. Do not attempt to raise, lower, or move the treadmill until it is properly assembled. (See ASSEMBLY on page 6, and HOW TO FOLD AND MOVE THE TREADMILL on page 25.) You must be able to safely lift 45 pounds (20 kg) to raise, lower, or move the treadmill.
21. Do not change the incline of the treadmill by placing objects under the treadmill.

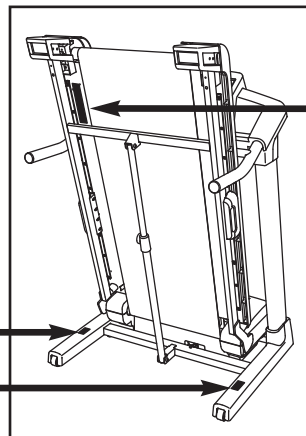
22. When folding or moving the treadmill, make sure that the storage latch is fully closed.
23. Always remove iFIT cards from the iFIT slot when you are not using them.
24. Inspect and properly tighten all parts of the treadmill regularly.
25. Never insert or drop any object into any opening.
26. The treadmill is intended for in-home use only. Do not use the treadmill in any commercial, rental, or institutional setting.

27. **DANGER:** Always unplug the power cord immediately after use, before cleaning the treadmill, and before performing the maintenance and adjustment procedures described in this manual. Never remove the motor hood unless instructed to do so by an authorized service representative. Servicing other than the procedures in this manual should be performed by an authorized service representative only.

**⚠ WARNING:** Before beginning this or any exercise program, consult your physician. This is especially important for persons over the age of 35 or persons with pre-existing health problems. Read all instructions before using. ICON assumes no responsibility for personal injury or property damage sustained by or through the use of this product.


## SAVE THESE INSTRUCTIONS

The decals shown here have been placed on the treadmill. If a decal is missing or illegible, call the toll-free telephone number on the front cover of this manual and order a free replacement decal. Apply the decal in the location shown. Note: The decal may not be shown at actual size.




**⚠ WARNING:**


Protect yourself and others from risk of serious injury. Read the user's manual and :

-  •Stand only on the side rails when starting or stopping treadmill.
- Change speed in small increments.
- Hold handrails to prevent falling, and always wear the safety clip while operating treadmill.
- Stop if you feel faint, dizzy, or short of breath.
- Fully engage storage latch before treadmill is moved or stored.
- Reduce incline to its lowest level before folding treadmill into storage position.

---

-  •Never allow children on or around treadmill.
- Remove key when not in use.

---

-  •Keep clothing, fingers, and hair away from moving belt.
- Never try to adjust or fix the belt while it is moving.
- Always wear athletic shoes while operating treadmill.

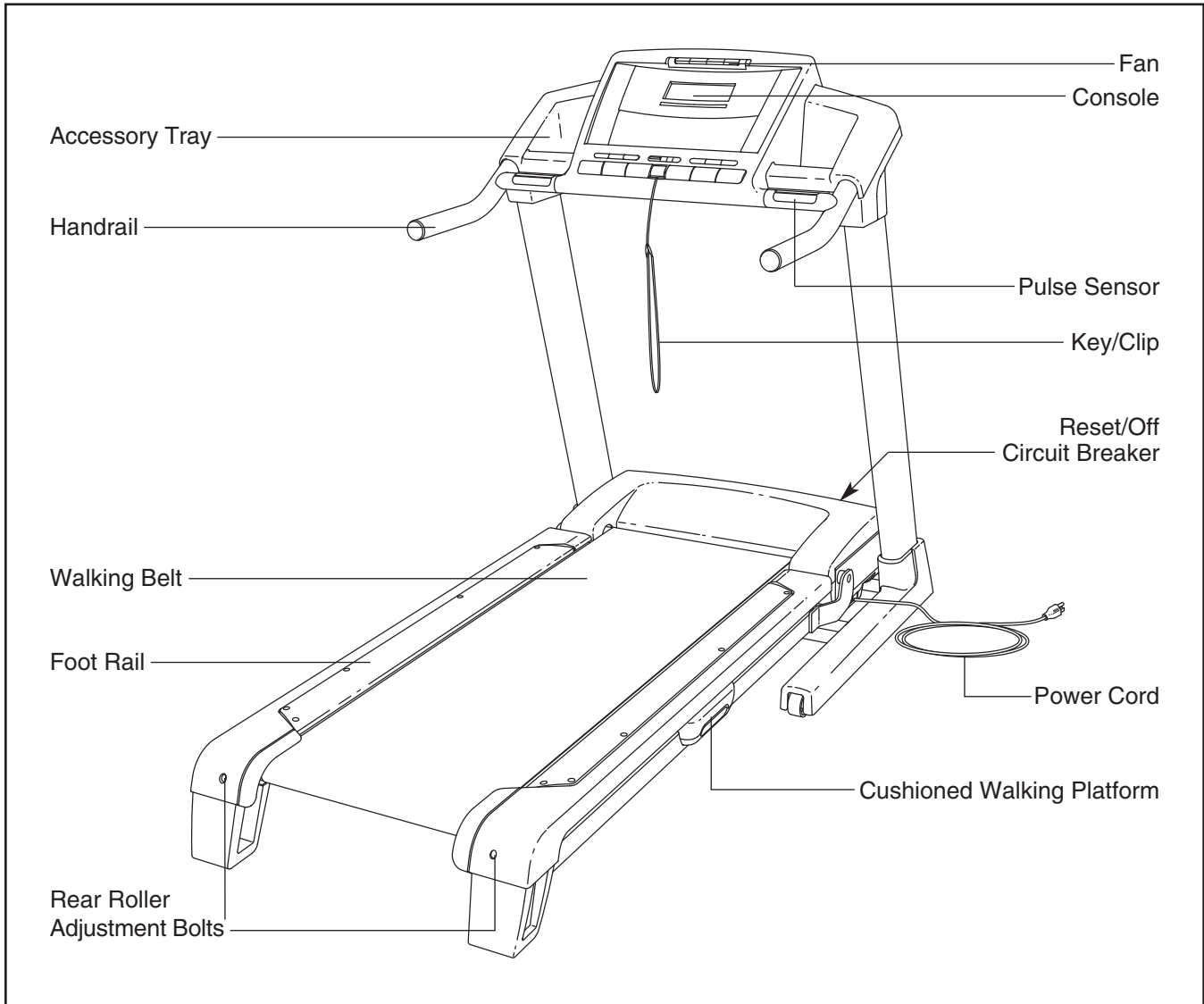
# BEFORE YOU BEGIN

Thank you for selecting the revolutionary NordicTrack® C2400 treadmill. The C2400 treadmill offers a selection of features designed to make your workouts at home more enjoyable and effective. And when you're not exercising, the unique C2400 treadmill can be folded up, requiring less than half the floor space of other treadmills.

**For your benefit, read this manual carefully before using the treadmill.** If you have questions after read-

ing this manual, please see the front cover of this manual. To help us assist you, note the product model number and serial number before contacting us. The model number of the treadmill is NTL09806.0. The serial number can be found on a decal attached to the treadmill (see the front cover of this manual for the location).





Before reading further, please familiarize yourself with the parts that are labeled in the drawing below.



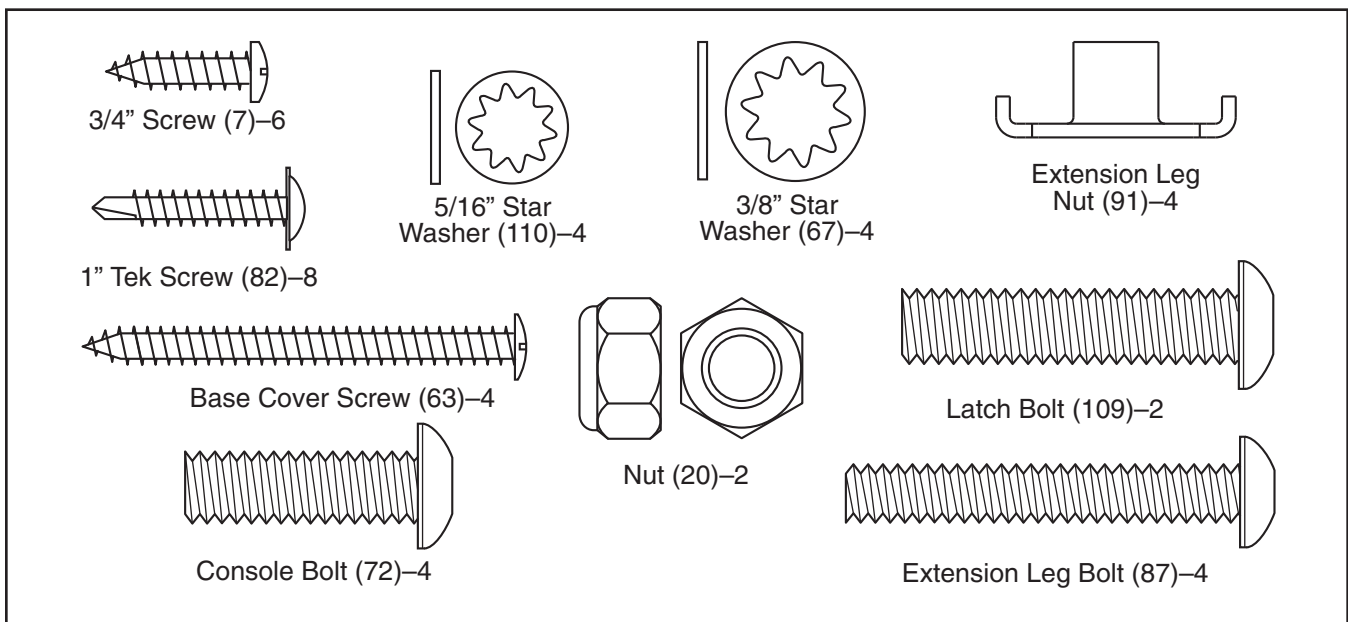
# ASSEMBLY

**Assembly requires two persons.** Set the treadmill in a cleared area and remove all packing materials. **Do not dispose of the packing materials until assembly is completed.**

Note: The underside of the treadmill walking belt is coated with high-performance lubricant. During shipping, a small amount of lubricant may be transferred to the top of the walking belt or the shipping carton. This is a normal condition and does not affect treadmill performance. If there is lubricant on top of the walking belt, simply wipe off the lubricant with a soft cloth and a mild, non-abrasive cleaner.

Assembly requires the included hex key  and your own phillips screwdriver , rubber mallet  and adjustable wrench . For help identifying the assembly hardware, see the drawings below. The number in parentheses below each drawing is the key number of the part, from the PART LIST on pages 30 and 31. The number following the parentheses is the quantity needed for assembly.

**Note: Some small parts may have been pre-assembled. If a part is not in the parts bag, check to see if it has been pre-assembled. To avoid damaging plastic parts, do not use power tools for assembly. Extra hardware may be included.**

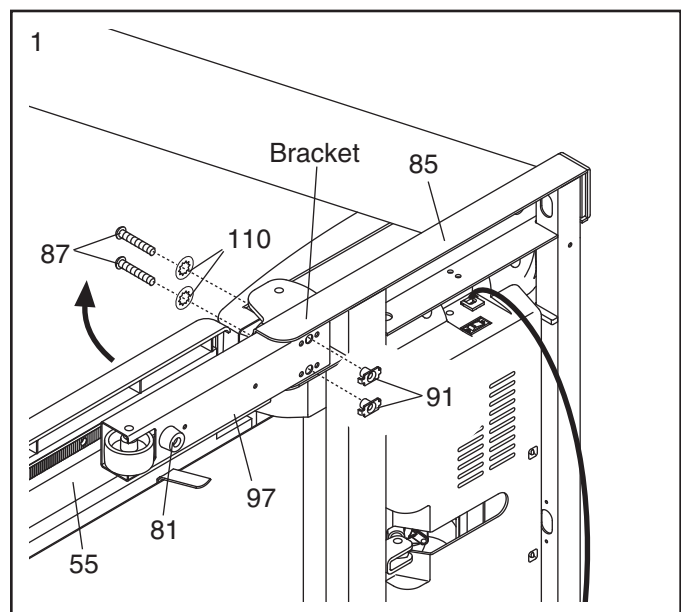


**1. Make sure that the power cord is unplugged.**

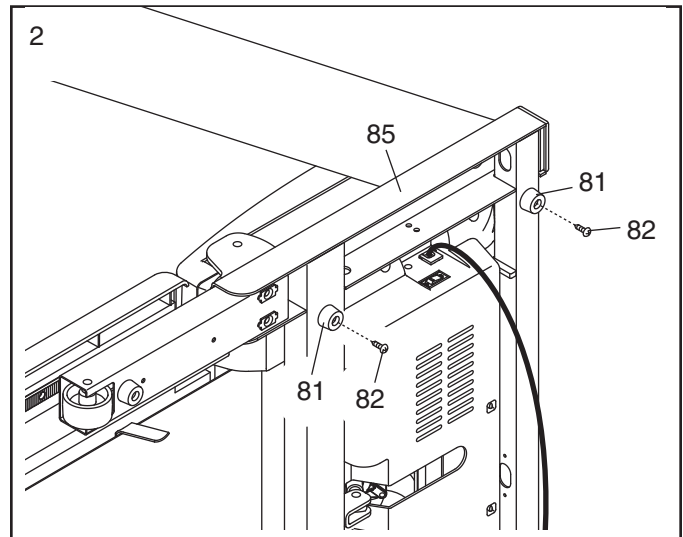
With the help of a second person, carefully tip the treadmill onto its side as shown. Partially fold the Frame (55) so that the treadmill is more stable. **Do not fully fold the Frame until the treadmill is completely assembled.**

Insert an Extension Leg (97) into the indicated bracket on the base of the Uprights (85). Make sure that the Extension Leg is turned so the Base Pad (81) is on the side shown. If necessary, use a rubber mallet to align the holes in the Extension Leg with the holes in the bracket.

Attach the Extension Leg (97) with two Extension Leg Bolts (87), two 5/16 inch Star Washers (110), and two Extension Leg Nuts (91) as shown. **Firmly tighten the Extension Leg Bolts.**



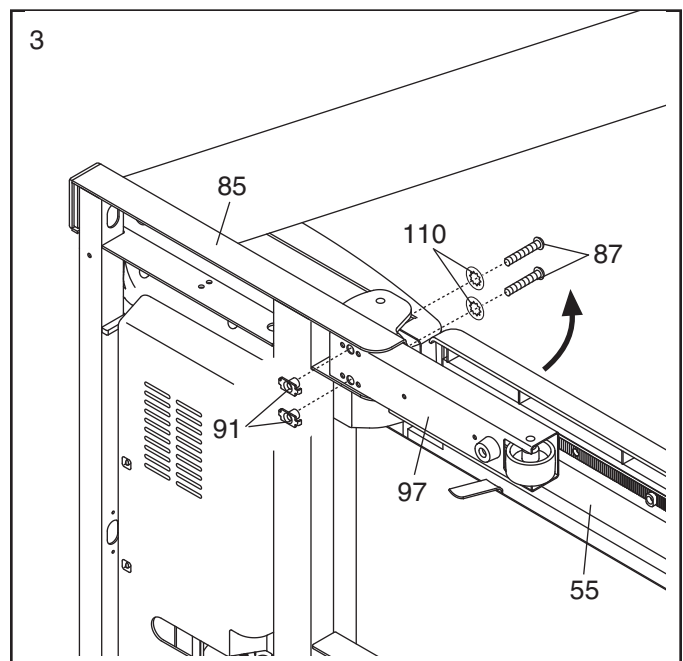
2. Attach two Base Pads (81) to the base of the Uprights (85) in the indicated locations with two 1" Tek Screws (82). Note: One replacement Base Pad may be included. Use the Base Pad to replace any Base Pad that becomes worn.



3. With the help of a second person, carefully tip the treadmill onto its other side as shown. Partially fold the Frame (55) so that the treadmill is more stable. **Do not fully fold the Frame until the treadmill is completely assembled.**

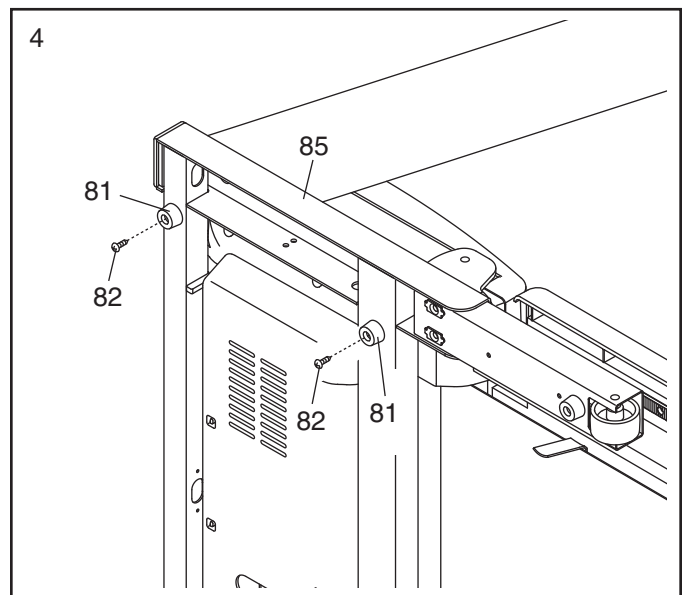
Insert the other Extension Leg (97) into the indicated bracket on the base of the Uprights (85) as shown.

Attach the Extension Leg (97) with two Extension Leg Bolts (87), two 5/16" Star Washers (110), and two Extension Leg Nuts (91) as shown. **Firmly tighten the Extension Leg Bolts.**



4. Attach two Base Pads (81) to the base of the Uprights (85) in the indicated locations with two 1" Tek Screws (82). Note: One replacement Base Pad may be included. Use the Base Pad to replace any Base Pad that becomes worn.

With the help of a second person, carefully tip the treadmill down so that all four Base Pads (81) are resting on the floor and the Uprights (85) are in the vertical position.



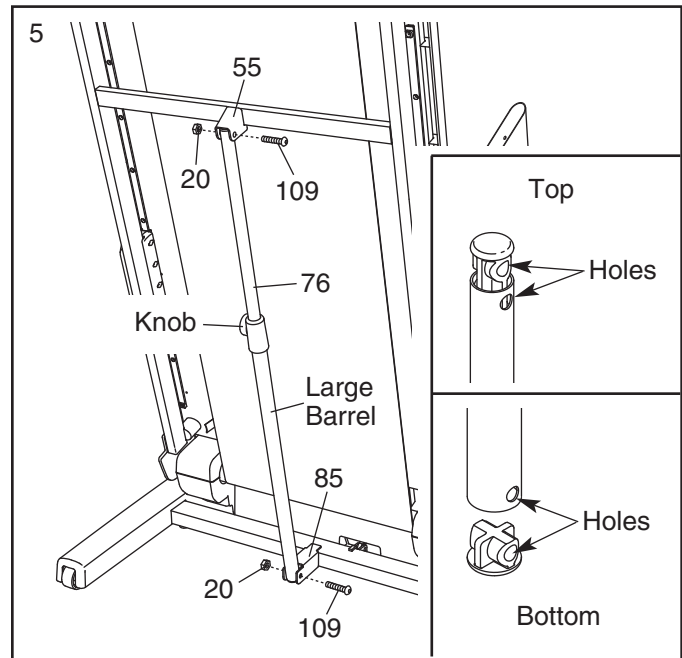


5. Remove the plastic ties from the ends of the Latch Assembly (76).

Orient the Latch Assembly (76) so that the large barrel and the knob are in the positions shown; make sure that all of the holes are aligned (see the inset drawings). Attach the lower end of the Latch Assembly to the bracket in the center of the Uprights (85) with a Latch Bolt (109) and a Nut (20).

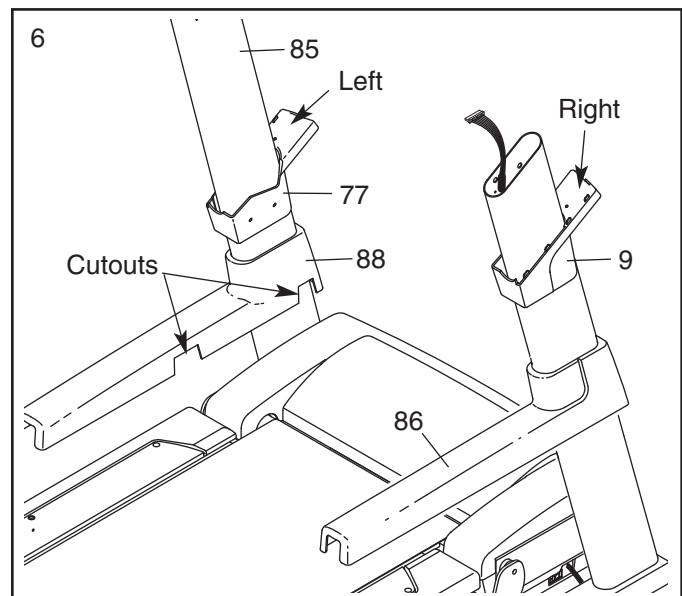
Then, attach the upper end of the Latch Assembly (76) to the bracket on the Frame (55) with an Latch Bolt (109) and a Nut (20). Note: It may be necessary to move the Frame back and forth to align the Latch Assembly with the Bracket.

Lower the Frame (55) (see HOW TO LOWER THE TREADMILL FOR USE on page 26).



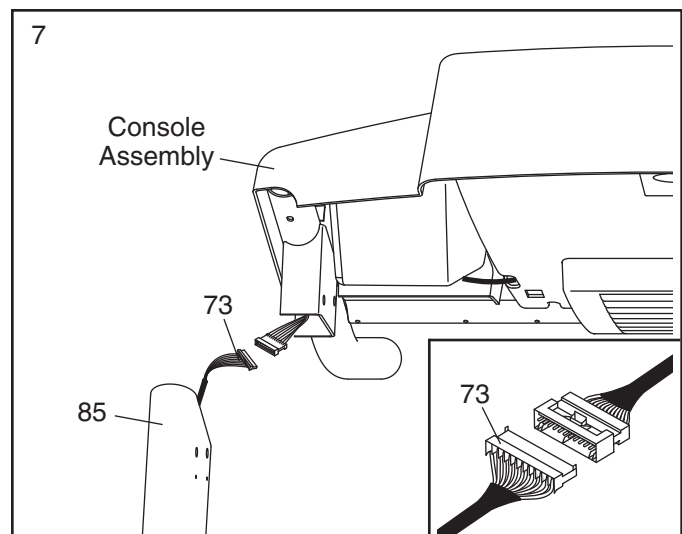
6. Identify the Left Base Cover (88), which has cutouts in the locations shown. Slide the Left Base Cover onto the left Upright (85). Slide the Right Base Cover (86) onto the right Upright.

Identify the Left Upright Sleeve (77) and the Right Upright Sleeve (9). Slide the Upright Sleeves onto the Uprights (85) as shown.



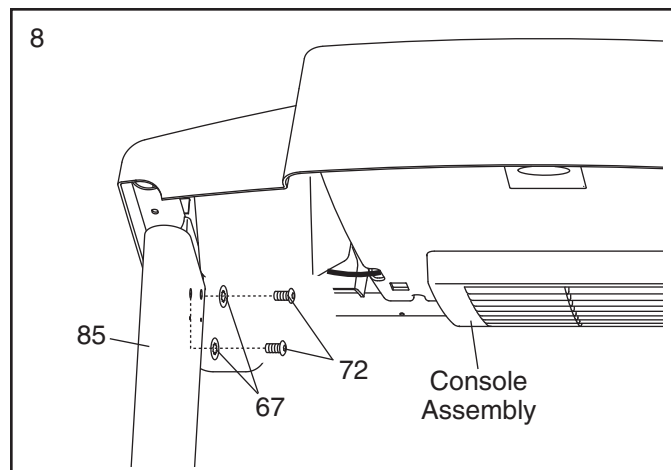
7. Remove the band securing the Upright Wire Harness (73) to the right Upright (85). Have a second person hold the console assembly near the right Upright.

Connect the Upright Wire Harness (73) to the wires extending from the console assembly. **Make sure to connect the connectors properly (see the inset drawing). The connectors should slide together easily and snap into place.** If the connectors do not, turn one connector and try again. **IF THE CONNECTORS ARE NOT CONNECTED PROPERLY, THE CONSOLE MAY BE DAMAGED WHEN THE POWER IS TURNED ON.** Then, insert the connectors into the right Upright (85).





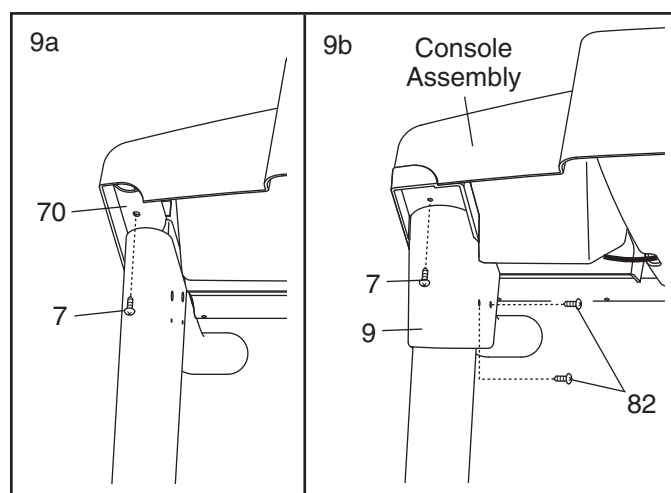
8. Attach the console assembly to the Uprights (85) with four Console Bolts (72) and four 3/8" Star Washers (67) (only one side is shown). **Start all four Console Bolts before tightening any of them.**



9. See drawing 9a. Remove the indicated 3/4" Screw (7) from the right Handrail (70).

See drawing 9b. Slide the Right Upright Sleeve (9) up to the console assembly. Attach the Right Upright Sleeve with two 1" Tek Screws (82) and the 3/4" Screw (7) as shown.

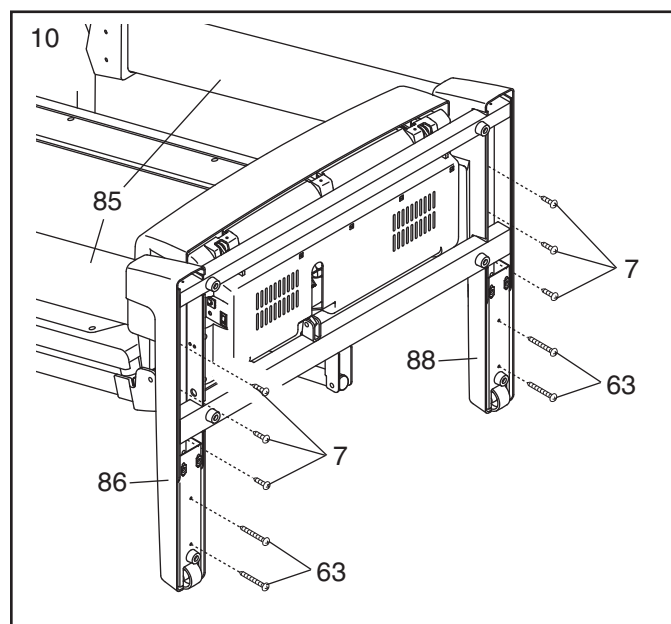
Attach the Left Upright Sleeve (not shown) in the same way.



10. With the help of a second person, carefully lower the Uprights (85) to a vertical position.

Attach the Right Base Cover (86) with three 3/4" Screws (7) and two Base Cover Screws (63). **Start all five Base Cover Screws before tightening them. Be careful not to overtighten the Base Cover Screws.** Attach the Left Base Cover (88) in the same way.

With the help of a second person, carefully raise the Uprights (85).



11. **Make sure that all parts are properly tightened before you use the treadmill.** Keep the included hex key in a secure place. The hex key is used to adjust the walking belt (see page 28). **To protect the floor or carpet from damage, place a mat under the treadmill.**



# OPERATION AND ADJUSTMENT

## THE PRE-LUBRICATED WALKING BELT

Your treadmill features a walking belt coated with high-performance lubricant. **IMPORTANT: Never apply silicone spray or other substances to the walking belt or the walking platform. Such substances will deteriorate the walking belt and cause excessive wear.**

## HOW TO PLUG IN THE POWER CORD

**⚠ DANGER:** Improper connection of the equipment-grounding conductor can result in an increased risk of electric shock. Check with a qualified electrician or serviceman if you are in doubt as to whether the product is properly grounded. Do not modify the plug provided with the product—if it will not fit the outlet, have a proper outlet installed by a qualified electrician.

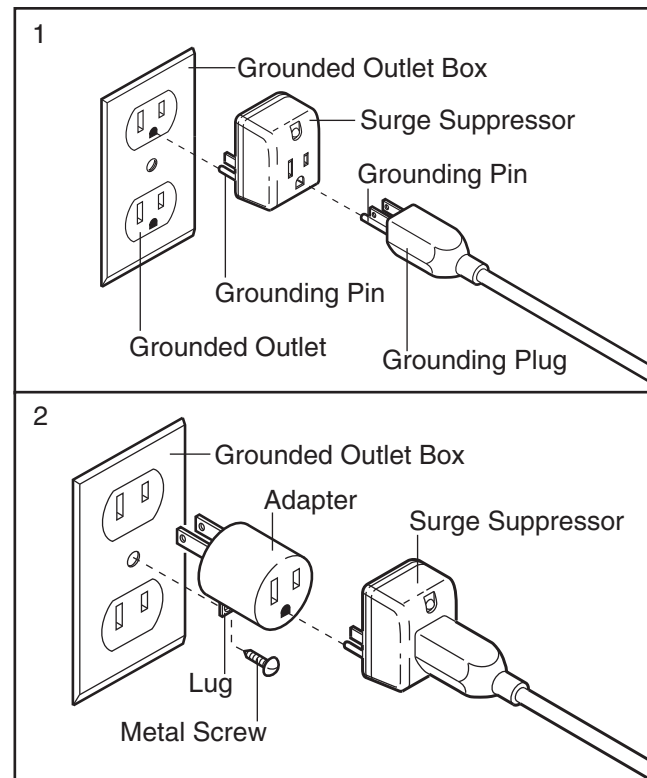
Your treadmill, like any other type of sophisticated electronic equipment, can be seriously damaged by sudden voltage changes in your home's power. Voltage surges, spikes, and noise interference can result from weather conditions or from other appliances being turned on or off. **To decrease the possibility of your treadmill being damaged, always use a surge suppressor with your treadmill (see drawing 1 at the right).** To purchase a surge suppressor, see your local NordicTrack dealer or call the toll-free telephone number on the front cover of this manual and order part number 146148, or see your local electronics store.

Use only a single-outlet surge suppressor that is UL 1449 listed as a transient voltage surge suppressor (TVSS). The surge suppressor must have a UL suppressed voltage rating of 400 volts or less and a minimum surge dissipation of 450 joules. The surge suppressor must be electrically rated for 120 volts AC and 15 amps. There must be a monitoring light on the surge suppressor to indicate whether it is functioning properly. Failure to use a properly functioning surge suppressor could result in damage to the control system of the treadmill. If the control system is damaged, the walking belt may change speed, accelerate, or stop unexpectedly, which may result in a fall and serious injury.

**This product must be grounded.** If it should malfunction or break down, grounding provides a path of least resistance for electric current to reduce the risk of elec-

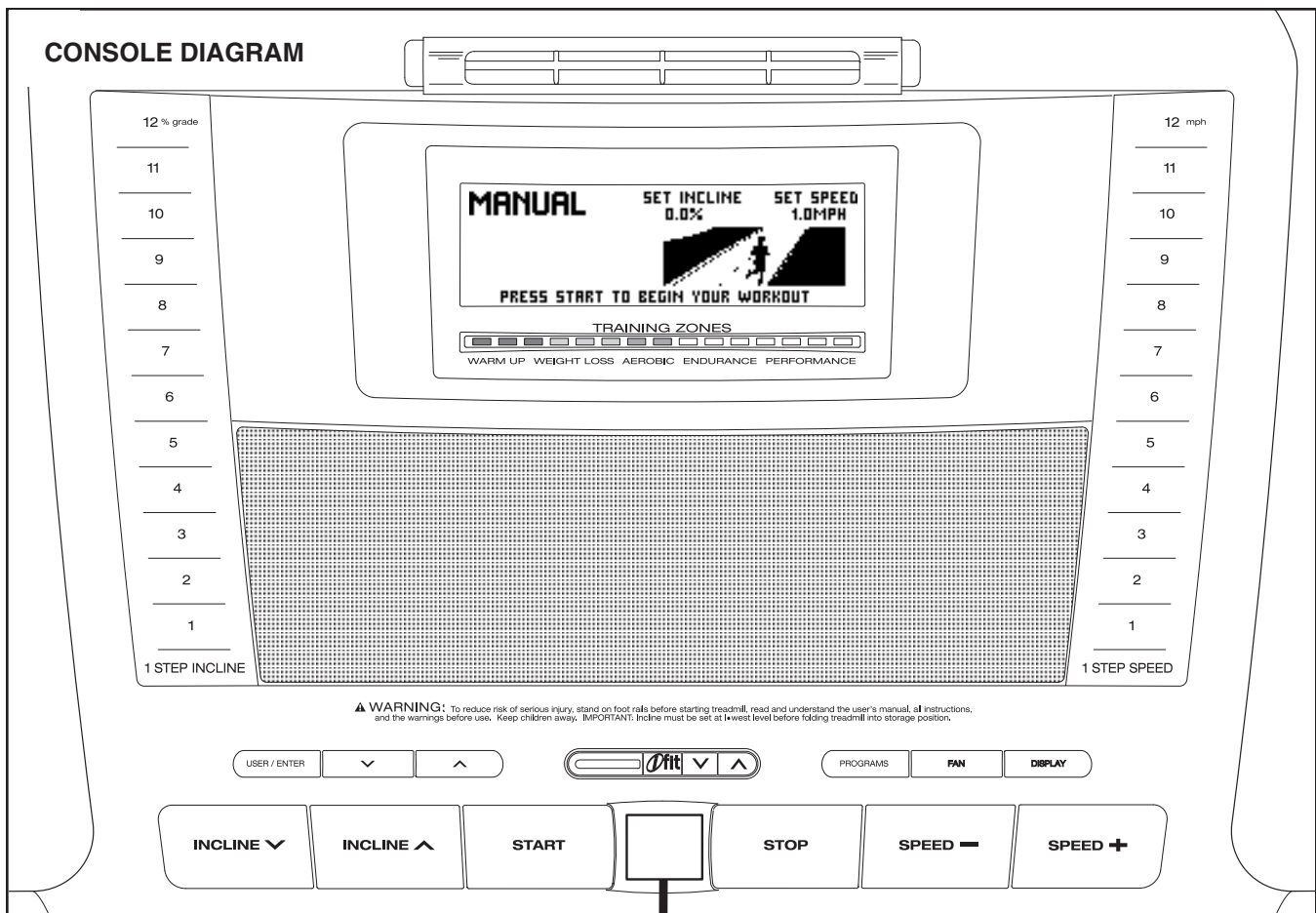
tric shock. This product is equipped with a cord having an equipment-grounding conductor and a grounding plug. **Plug the power cord into a surge suppressor, and plug the surge suppressor into an appropriate outlet that is properly installed and grounded in accordance with all local codes and ordinances. Important: The treadmill is not compatible with GFCI-equipped outlets.**

This product is for use on a nominal 120-volt circuit, and has a grounding plug that looks like the plug illustrated in drawing 1 below. A temporary adapter that looks like the adapter illustrated in drawing 2 may be used to connect the surge suppressor to a 2-pole receptacle as shown in drawing 2 if a properly grounded outlet is not available.



The temporary adapter should be used only until a properly grounded outlet (drawing 1) can be installed by a qualified electrician.

The green-colored rigid ear, lug, or the like extending from the adapter must be connected to a permanent ground such as a properly grounded outlet box cover. Whenever the adapter is used it must be held in place by a metal screw. **Some 2-pole receptacle outlet box covers are not grounded. Contact a qualified electrician to determine if the outlet box cover is grounded before using an adapter.**



## FEATURES OF THE CONSOLE

The treadmill console offers an impressive array of features designed to make your workouts more effective and enjoyable. When the manual mode of the console is selected, the speed and incline of the treadmill can be changed with the touch of a button. As you exercise, the console will display continuous exercise feedback. You can even measure your heart rate using the handgrip pulse sensor or the optional chest pulse sensor (see page 24).

In addition, the console features ten Cardio programs. Each program automatically controls the speed and incline of the treadmill as it guides you through an effective workout. The console also offers two Pulse programs that control the speed and incline of the treadmill to help you keep your heart rate near target heart rate settings. You can even create your own Record programs and save them for future use. Note: The Pulse programs require the use of the optional chest pulse sensor.

The console also features the new iFIT Interactive Workout system. The iFIT system enables the console to accept iFIT Interactive Workout Cards containing workout programs designed to help you achieve specific fitness goals. For example, lose unwanted pounds

with the 8-week Weight Loss program, or train for a long-distance run with the Marathon program. iFIT programs automatically control the treadmill while the voice of a personal trainer coaches you and motivates you through every step of your workout. One iFIT Card with three new programs is included. Additional iFIT Cards are available separately. **To purchase iFIT Cards at any time, go to [www.iFIT.com](http://www.iFIT.com) or call the toll-free telephone number on the front cover of this manual. iFIT Cards are also available at select stores.**

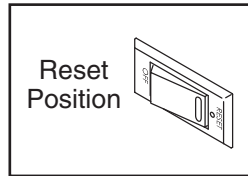
You can even listen to your favorite workout music or audio books with the console's MP3 stereo sound system.

**To turn on the power**, follow the steps on page 13. **To personalize console settings**, see page 13. **To use the manual mode**, see page 15. **To use a Cardio program**, see page 17. **To use a Pulse program**, see page 19. **To create and use a Record program**, see pages 21 and 22. **To use an iFIT card**, see page 23. **To use the stereo sound system**, see page 24.

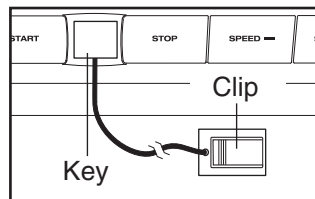
Note: If there is a sheet of clear plastic on the console, peel off the clear plastic.

## HOW TO TURN ON THE POWER

- 1 Plug in the power cord (see page 11). Next, locate the reset/off circuit breaker on the treadmill frame near the power cord. Make sure that the circuit breaker is in the reset position.



- 2 Stand on the foot rails of the treadmill. Find the clip attached to the key, and slide the clip securely onto the waistband of your clothes. Next, insert the key into the console. After a moment, the display will light. **Important: In an emergency situation, the key can be pulled from the console, causing the walking belt to slow to a stop. Test the clip by carefully taking a few steps backward; if the key is not pulled from the console, adjust the position of the clip.**



Note: To prevent damage to the walking platform, wear clean athletic shoes while using the treadmill. The first time the treadmill is used, observe the alignment of the walking belt, and center the walking belt if necessary (see page 28).

## HOW TO PERSONALIZE CONSOLE SETTINGS

The console features a user mode that allows you to designate yourself as User 1 or User 2, view your workout history, and enter user information before you begin exercising.

The console also features a settings mode that allows you to select a system of measurement for the console, turn on and turn off the demo mode, enter an audio trainer setting, adjust the volume and contrast settings of the console, and turn on and turn off the welcome screen.

Follow the steps below to personalize console settings.

- 1 **Select the user mode.**

To select the user mode, press the User/Enter button. The console can keep track of workout history and save information for two different users.

<b>USER 1 SELECTED</b>	<b>START</b>
TOTAL DISTANCE	5 12 MILES
TOTAL TIME	5 15 HOURS
TOTAL CALORIES	5 14 CALORIES
USER WEIGHT	185 POUNDS
MAX HEART RATE	110 BPM

When the User/Enter button is pressed, the words "User 1 Selected" or "User 2 Selected" will appear in the display. To identify yourself as User 1 or User 2, press the User/Enter button once or twice.

**Important: To highlight options within the menu, press the increase and decrease buttons beside the User/Enter button.**

- 2 **View your workout history.**

The display will show the total number of miles or kilometers that the walking belt has moved, the total number of hours that the treadmill has been used, and the total number of calories that the user has burned.

<b>USER 1 SELECTED</b>	<b>START</b>
TOTAL DISTANCE	5 12 MILES
TOTAL TIME	5 15 HOURS
TOTAL CALORIES	5 14 CALORIES
USER WEIGHT	185 POUNDS
MAX HEART RATE	110 BPM

To reset any of the totals, first highlight the total that you want to reset and press the User/Enter button. Then, highlight NO or YES and press the User/Enter button.

- 3 **Enter user information.**

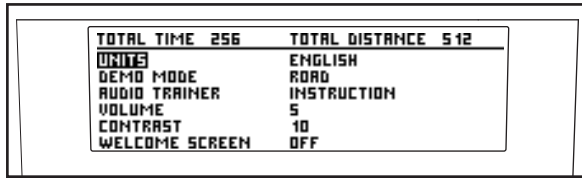
Highlight the words USER WEIGHT and then press the User/Enter button. Next, press the increase and decrease buttons beside the User/Enter button to enter your weight. Then, press the User/Enter button.

If you want to enter a maximum target heart rate (see HOW TO USE A PULSE PROGRAM on page 19), first highlight MAX HEART RATE and press the User/Enter button. Next, press the increase and decrease buttons beside the User/Enter button to enter a maximum target heart rate. Then, press the User/Enter button.

To exit the users mode, highlight START and then press the User/Enter button.

## 4 Select the settings mode.

To select the settings mode, first remove the key from the console. Then, hold down the Stop button while reinserting the key into the console.



When the settings mode is selected, the display will show the word ENGLISH or METRIC to indicate which system of measurement is selected. To change the system of measurement, first highlight UNITS and press the User/Enter button. Next, press the increase or decrease button beside the User/Enter button to select the desired system of measurement. Then, press the User/Enter button.

The display will also show the words DEMO MODE and the current setting: OFF, LOGO, ROAD, or VISUAL EQ. The “demo mode” can be used while the treadmill is displayed in a store. While a demo mode is selected, the power cord can be plugged in, the key can be removed from the console, and the display will remain on. The console buttons will not function. To select a demo mode, highlight DEMO MODE and then press the User/Enter button. Next, press the increase or decrease button beside the User/Enter button to highlight OFF (to turn off the demo mode), LOGO (to display a logo), ROAD (to display an animation of a runner on a road), or VISUAL EQ (to display a visual). Then, press the User/Enter button.

You can select an audio setting if desired. When you use an iFIT Card, a personal trainer will guide

you through your workouts and instruct you how to purchase more iFIT Cards if “Instruction” is selected as your audio setting. If you select the “On” setting, your personal trainer will simply guide you through your iFIT workouts. If you select “Off,” you will hear no audio guidance during your workouts. To change the audio setting, first highlight AUDIO TRAINER and press the User/Enter button. Next, press the increase or decrease button beside the User/Enter button to select the desired audio setting. Then, press the User/Enter button.

You can adjust the volume of your personal trainer’s voice by highlighting VOLUME, pressing the User/Enter button, and then pressing the increase and decrease buttons beside the User/Enter button to select a volume setting. Then, press the Enter button.

The contrast of the display can also be adjusted. To adjust the contrast of the display, first highlight CONTRAST and press the User/Enter button. Next, press the increase and decrease buttons beside the User/Enter button to select a contrast setting. Then, press the User/Enter button.

The console can also display a welcome message each time you insert the key into the console. Highlight WELCOME SCREEN and press the User/Enter button. Then, press the increase or decrease button beside the User/Enter button to select ON or OFF and press the User/Enter button.

## 5 When you are finished exercising, remove the key from the console.

To exit the settings mode at any time, remove the key from the console.



## HOW TO USE THE MANUAL MODE

### 1 Insert the key into the console.

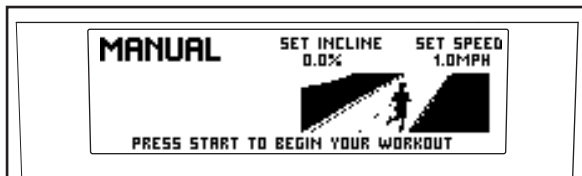
See HOW TO TURN ON THE POWER on page 13.

### 2 Personalize console settings if desired.

See HOW TO PERSONALIZE CONSOLE SETTINGS on page 13.

### 3 Select the manual mode.

Each time the key is inserted, the manual mode will be selected. If you have selected a program, press the Programs buttons repeatedly until the word MANUAL appears in the display.



### 4 Start the walking belt and adjust the speed.

To start the walking belt, press the Start button, the Speed + button, or one of the twelve 1 Step Speed buttons.

If the Start button or the Speed + button is pressed, the walking belt will begin to move at 1 mph. As you exercise, change the speed of the walking belt as desired by pressing the Speed + and – buttons. Each time a button is pressed, the speed setting will change by 0.1 mph; if a button is held down, the speed setting will change in increments of 0.5 mph. If one of the twelve 1 Step Speed buttons is pressed, the walking belt will gradually increase in speed until it reaches the selected speed setting.

To stop the walking belt, press the Stop button. To restart the walking belt, press the Start button, the Speed + button, or one of the twelve 1 Step Speed buttons.

### 5 Change the incline of the treadmill as desired.

To change the incline of the treadmill, press the Incline increase or decrease button, or one of the twelve 1 Step Incline buttons. Each time one of the buttons is pressed, the incline will gradually adjust until it reaches the selected incline setting.

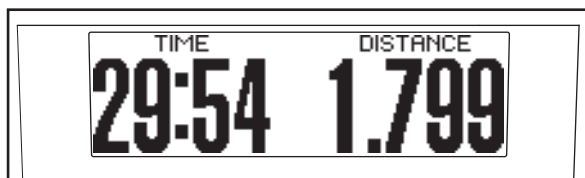
### 6 Select a display mode and monitor your progress with the display and the training zone bar.

As you walk or run on the treadmill, the display can show the following workout information:

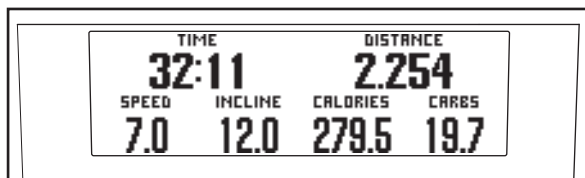
- The elapsed time.
- The distance that you have walked or run.
- The speed of the walking belt.
- The incline level of the treadmill.
- The approximate number of calories you have burned.
- The approximate number of grams of carbs you have burned.
- Your heart rate. Note: Your heart rate can be displayed only while you use the handgrip pulse sensor or the optional chest pulse sensor.
- In addition, the display can show a “workout history”—a profile that represents the speed settings that you select during your workout. At the beginning of each minute of your workout, an additional column will appear in the profile; as you increase or decrease the speed setting, the height of the column will increase or decrease.
- The display can also show an animation of a runner on a road. As you increase or decrease the speed setting, the runner will speed up or slow down.



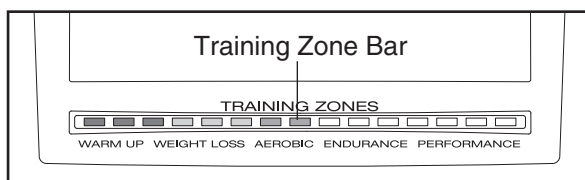
When the manual mode is selected, the console offers eight display modes. The display mode that you select will determine which workout information is shown. For example, the first display mode shows only the elapsed time and the distance that you have walked or run. Press the Display button repeatedly to select the desired display mode.



Note: Regardless of which display mode you select, the speed or incline setting will appear in the display for a few seconds each time you change the setting. In addition, your heart rate will appear in the display for up to 40 seconds each time you use the handgrip pulse sensor or put on the optional chest pulse sensor. Note: If you select the display mode shown below, your heart rate will be shown in place of the approximate number of grams of carbs you have burned.



As you exercise, the training zone bar will indicate the approximate intensity level of your exercise. For example, if eight of the indicators in the bar are lit, the bar shows that your intensity level is ideal for aerobic exercise.

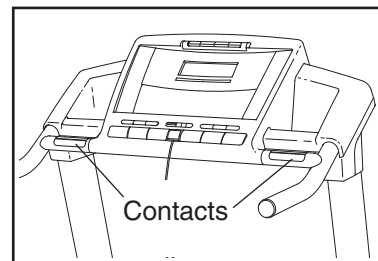


To reset the console, press the Stop button, remove the key, and then reinsert the key.

### 7 Measure your heart rate if desired.

Note: If you use the handgrip pulse sensor and the optional chest pulse sensor at the same time, the display will not show your heart rate accurately.

To use the handgrip pulse sensor, first remove the sheets of clear plastic from the metal contacts on the handgrip pulse sensor.



Next, **stand on the foot rails** and hold the metal contacts—**avoid moving your hands**. When your pulse is detected, your heart rate will appear in the display. **For the most accurate heart rate reading, continue to hold the contacts for about 15 seconds.**

### 8 Turn on the fan if desired.

To turn on the fan at low speed, press the Fan button. To turn on the fan at medium speed, press the button a second time. To turn on the fan at high speed, press the button a third time. To select the auto fan mode, press the button a fourth time. When the auto fan mode is selected, the speed of the fan will automatically increase or decrease as the speed of the walking belt increases or decreases.

To turn off the fan, press the Fan button again. Note: If the fan is on when the walking belt stops, the fan will automatically turn off after a few minutes.

### 9 When you are finished exercising, remove the key from the console.

Step onto the foot rails, press the Stop button, and adjust the incline of the treadmill to the lowest setting. **The incline must be at the lowest setting when the treadmill is folded to the storage position or the treadmill will become damaged.** Next, remove the key from the console and put it in a secure place.

**When you are finished using the treadmill, switch the reset/off circuit breaker to the “off” position and unplug the power cord.**

## HOW TO USE A CARDIO PROGRAM

### 1 Insert the key into the console.

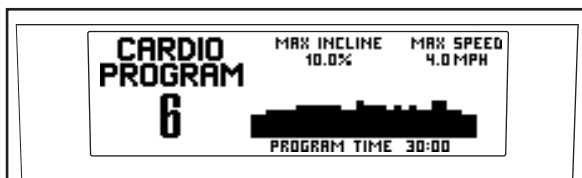
See HOW TO TURN ON THE POWER on page 13.

### 2 Personalize console settings if desired.

See HOW TO PERSONALIZE CONSOLE SETTINGS on page 13.

### 3 Select a Cardio program.

To select one of the ten Cardio program, press the Programs button repeatedly.



When a Cardio program is selected, the display will show the name of the program, the program time, the maximum incline setting of the program, and the maximum speed setting of the program. In addition, a profile of the speed settings of the program will appear in the display.

Each preset program is divided into 30, 50, or 60 one-minute segments. One speed setting and one incline setting are programmed for each segment. Note: The same speed setting and/or incline setting may be programmed for two or more consecutive segments.

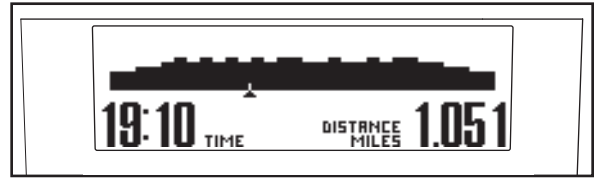
### 4 Press the Start button to start the program.

A moment after the button is pressed, the treadmill will automatically adjust to the first speed and incline settings of the program. Hold the handrails and begin walking.

### 5 Select a display mode and monitor your progress with the display and the training zone bar.

When a Cardio program is selected, the console offers three display modes. Press the Display button repeatedly to select the desired display mode.

If the first or second display mode is selected, a profile of the speed settings of the program will appear in the display. A small arrow below the profile will indicate your progress.



At the end of the first one-minute segment of the program, a series of tones will sound. If a different speed setting and/or incline setting is programmed for the second segment, the speed setting and/or incline setting will appear at the top of the display for a moment to alert you. The treadmill will then automatically adjust to the speed and incline settings for the second segment.

The program will continue in this way until the small arrow reaches the right end of the profile. The walking belt will then slow to a stop.

If the third display mode is selected, the display will show an animation of a runner.



At the end of the first one-minute segment of the program, a series of tones will sound. If a different speed setting is programmed for the second segment, the speed setting will move along the bottom of the display to alert you. If a different incline setting is programmed, the incline setting will appear at the top of the display for a moment. The treadmill will then automatically adjust to the speed and incline settings for the second segment.

The program will continue in this way until the last segment ends. The walking belt will then slow to a stop.

If the speed or incline setting for the current segment is too high or too low, you can override the setting by pressing the Speed or Incline buttons; however, when the next segment begins, **the treadmill will automatically adjust to the speed and incline settings for the next segment.**

To stop the program at any time, press the Stop button. To restart the program, press the Start button. The walking belt will begin to move at 1 mph. When the next segment of the program begins, the treadmill will automatically adjust to the speed and incline settings for the next segment.

**6 Measure your heart rate if desired.**

See step 7 on page 16.

**7 Turn on the fan if desired.**

See step 8 on page 16.

**8 When you are finished exercising, remove the key from the console.**

When the program ends, **make sure that the incline of the treadmill is at the lowest setting.** Next, remove the key from the console and put it in a secure place.

**When you are finished using the treadmill, switch the reset/off circuit breaker to the “off” position and unplug the power cord.**

## HOW TO USE A PULSE PROGRAM

**⚠ CAUTION:** If you have heart problems, or if you are over 60 years of age and have been inactive, do not use the Pulse programs. If you are taking medication regularly, consult your physician to find whether the medication will affect your exercise heart rate.

Follow the steps below to use a Pulse program.

### 1 Put on the optional chest pulse sensor.

Note: You must wear the optional chest pulse sensor to use a Pulse program.

### 2 Insert the key into the console.

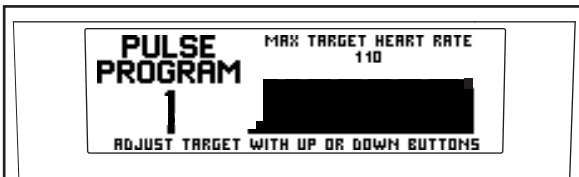
See HOW TO TURN ON THE POWER on page 13.

### 3 Personalize console settings if desired.

See HOW TO PERSONALIZE CONSOLE SETTINGS on page 13.

### 4 Select a Pulse program.

To select a Pulse program, press the Programs button repeatedly until the words PULSE PROGRAM 1 or PULSE PROGRAM 2 appear in the display.



When a Pulse program is selected, the display will show the name of the program and the maximum target heart rate setting of the program. In addition, a profile of the target heart rate settings of the program will appear in the display.

Pulse program 1 is divided into one-minute segments. The same target heart rate setting is programmed for all segments (except for the first two segments). Pulse program 2 is divided into 30 one-minute segments. One target heart rate setting is programmed for each segment. Note: The

same target heart rate setting may be programmed for two or more consecutive segments.

### 5 Adjust the maximum target heart rate setting if desired.

To adjust the maximum target heart rate setting, press the increase and decrease buttons beside the User/Enter button (see EXERCISE INTENSITY on page 29). To adjust the target heart rate setting quickly, hold down one of the buttons.

### 6 Press the Start button to start the program.

A moment after the button is pressed, the walking belt will begin to move. Hold the handrails and begin walking.

### 7 Select a display mode and monitor your progress with the display and the training zone bar.

When a Pulse program is selected, the console offers two display modes. Press the Display button to select the desired display mode.



Regardless of which display mode you select, a profile of the target heart rate settings of the program will appear in the display. A white line representing your heartbeat will also appear; each time a heartbeat is detected, an additional peak will appear in the line. A small arrow below the profile will indicate your progress.

During each one-minute segment of the program, the console will compare your heart rate to the current target heart rate setting. If your heart rate is too far below or above the target heart rate setting, the speed of the walking belt or the incline of the treadmill will automatically change to bring your heart rate closer to the target heart rate setting. Each time the speed or incline changes, the speed setting and the incline setting will appear at the top of the display for a moment to alert you.

When each segment ends, a series of tones will sound.

If the speed or incline setting for the current segment is too high or too low, you can override the setting by pressing the Speed or Incline buttons; however, when the console compares your heart rate to the current target heart rate setting, the speed or incline of the treadmill may automatically change.

To stop the program at any time, press the Stop button. To restart the program, press the Start button. The walking belt will begin to move at 1 mph. When the console compares your heart rate to the current target heart rate setting, the speed or incline of the treadmill may automatically change.

If Pulse program 1 is selected, the program will continue until you stop it by pressing the Stop but-

ton. If Pulse program 2 is selected, the program will continue until the small arrow reaches the right end of the profile. The walking belt will then slow to a stop.

**8 Turn on the fan if desired.**

See step 8 on page 16.

**9 When you are finished exercising, remove the key from the console.**

See step 8 on page 18.

## HOW TO CREATE A RECORD PROGRAM

### 1 Insert the key into the console.

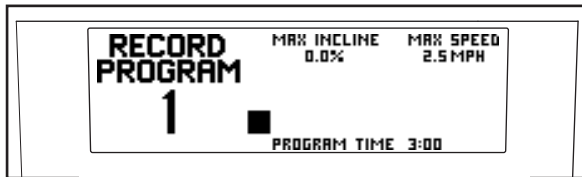
See HOW TO TURN ON THE POWER on page 13.

### 2 Personalize console settings if desired.

See HOW TO PERSONALIZE CONSOLE SETTINGS on page 13.

### 3 Select a Record program.

To select a Record program, press the Programs button repeatedly until the words RECORD PROGRAM 1 or RECORD PROGRAM 2 appear in the display.



**If the Record program has not yet been defined, the display will show a program time of three minutes. If the program time is more than three minutes, see HOW TO USE A RECORD PROGRAM on page 22.**

Each Record program is divided into one-minute segments. One speed setting and one incline setting can be programmed for each segment.

### 4 Press the Start button to start the program.

A moment after the button is pressed, the walking belt will begin to move. Hold the handrails and begin walking.

### 5 Select a display mode and program the desired speed and incline settings.

When a Record program is selected, the console offers three display modes. Press the Display button repeatedly to select the desired display mode.

To program a speed setting and an incline setting for the first one-minute segment of the program, simply adjust the speed and incline of the treadmill as desired by pressing the Speed and Incline buttons.

When the first segment ends, a series of tones will sound and the current speed setting and the current incline setting will be saved in memory.

Program a speed setting and an incline setting for the second segment as described above. Continue programming speed and incline settings for up to 30 segments.

When you are finished with your workout, press the Stop button twice. The Record program will then be saved in memory.

### 6 When you are finished exercising, remove the key from the console.

See step 8 on page 18.

## HOW TO USE A RECORD PROGRAM

### 1 Insert the key into the console.

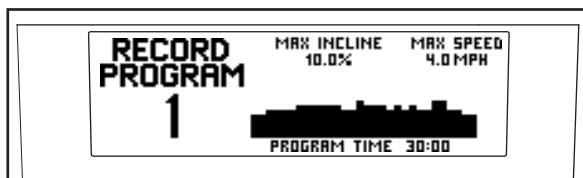
See HOW TO TURN ON THE POWER on page 13.

### 2 Personalize console settings if desired.

See HOW TO PERSONALIZE CONSOLE SETTINGS on page 13.

### 3 Select a Record program.

To select a Record program, press the Programs button repeatedly until the words RECORD PROGRAM 1 or RECORD PROGRAM 2 appear in the display.



When a Record program is selected, the display will show the name of the program, the maximum incline setting of the program, and the maximum speed setting. In addition, a profile of the speed settings of the program will appear in the display.

**Note:** If the display shows a program time of three minutes, see HOW TO CREATE A RECORD PROGRAM on page 19.

Each Record program is divided into one-minute segments. One speed setting and one incline setting are programmed for each segment.

### 4 Press the Start button to start the program.

A moment after the button is pressed, the treadmill will automatically adjust to the first speed and incline settings that you programmed previously. Hold the handrails and begin walking.

### 5 Select a display mode and monitor your progress with the display and the training zone bar.

The Record program will function in the same way as a Cardio program (see step 5 on pages 17 and 18).

If desired, you can redefine the program while using it. **To change the speed or incline setting for the current segment**, simply press the Speed or Incline buttons. When the current segment ends, the new setting will be saved in memory. **To increase the length of the program**, first wait until the program ends. Then, press the Start button and program speed and incline settings for as many additional segments as desired; Record programs can have up to 30 segments. When you have added as many segments as desired, press the Stop button twice. **To decrease the length of the program**, press the Stop button twice at any time before the program ends.

### 6 Measure your heart rate if desired.

See step 7 on page 16.

### 7 Turn on the fan if desired.

See step 8 on page 16.

### 8 When you are finished exercising, remove the key from the console.

See step 8 on page 18.



## HOW TO USE AN IFIT CARD

### 1 Insert the key into the console.

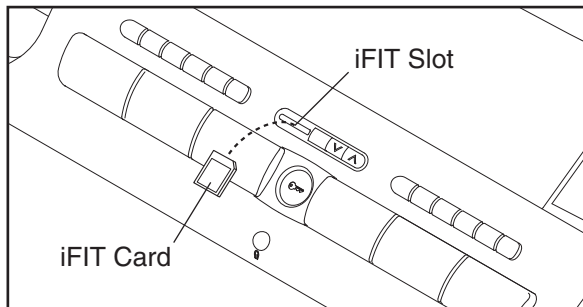
See HOW TO TURN ON THE POWER on page 13.

### 2 Personalize console settings if desired.

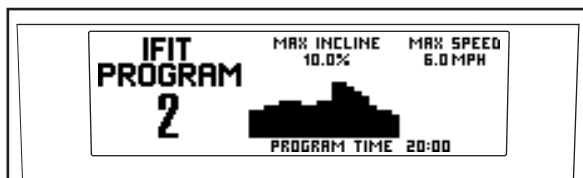
See HOW TO PERSONALIZE CONSOLE SETTINGS on page 13.

### 3 Insert an iFIT Card and select a program.

To use an iFIT program, insert an iFIT Card into the iFIT slot; make sure that the iFIT Card is oriented so the metal contacts are face-down and are inserted into the iFIT slot.



Next, select an iFIT program by pressing the iFIT increase and decrease buttons (next to the lit iFIT indicator). When an iFIT program is selected, the display will show the name of the program, the maximum incline setting and the maximum speed setting of the program, and the program time. In addition, a profile of the speed settings of the program will appear in the display.



Each preset program is divided into several one-minute segments. One speed setting and one incline setting are programmed for each segment. Note: The same speed setting and/or incline setting may be programmed for two or more consecutive segments.

### 4 Press the Start button to start the program.

A moment after the button is pressed, the treadmill will automatically adjust to the first speed and incline settings of the program. Hold the handrails and begin walking.

### 5 Select a display mode and monitor your progress with the display and the training zone bar.

When an iFIT program is selected, the console offers three display modes (see step 6 on pages 15 and 16). Press the Display button repeatedly to select the desired display mode. **If the first or second display mode is selected**, a profile of the speed settings of the program will appear in the display. A small arrow below the profile will indicate your progress.

During the program, a personal trainer will guide you through the workout. You can adjust the volume or select an audio setting for your personal trainer (see step 4 on page 14).

If the speed or incline setting for the current segment is too high or too low, you can override the setting by pressing the Speed or Incline buttons; however, when the next segment begins, **the treadmill will automatically adjust to the speed and incline settings for the next segment.**

To stop the program at any time, press the Stop button. To restart the program, press the Start button. The walking belt will begin to move at 1 mph. When the next segment of the program begins, the treadmill will automatically adjust to the speed and incline settings for the next segment.

### 6 Turn on the fan if desired.

See step 8 on page 16.

### 7 When you are finished exercising, remove the key from the console.

See step 8 on page 18.

**CAUTION: Always remove iFIT Cards from the iFIT slot when you are not using them.**

## HOW TO USE THE STEREO SOUND SYSTEM

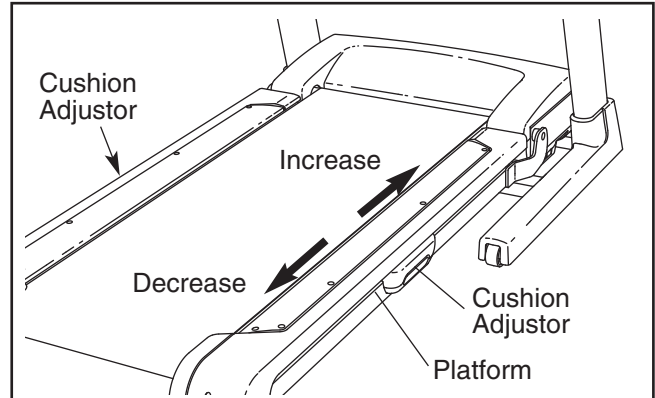
To play music or audio books through the console's stereo speakers, you must connect your MP3 player or CD player to the console. Locate the stereo audio cable below the speakers on the console, and plug it into a jack on your MP3 player or CD player. **Make sure that the audio cable is fully plugged in.**

Next, press the Play button on your MP3 player or CD player. Then, adjust the volume of your MP3 player or CD player.

If you are using a portable CD player and the CD skips, set the CD player on the floor or another flat surface instead of on the console.

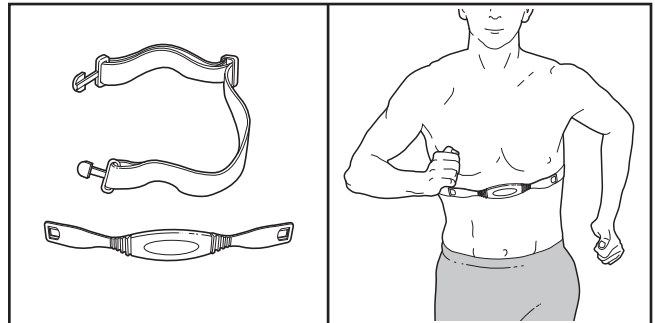
## HOW TO ADJUST THE CUSHIONING SYSTEM

The treadmill features a cushioning system that reduces the impact as you walk or run on the treadmill. To increase the firmness of the walking platform, step off the treadmill and slide the cushion adjustors toward the front of the treadmill. To decrease the firmness, slide the cushion adjustors toward the back of the treadmill. **Note: It may be helpful to lift on the platform as you slide the adjustors. Make sure that both adjustors are set at the same firmness level. The faster you run on the treadmill, or the more you weigh, the firmer the walking platform should be.**



## THE OPTIONAL CHEST PULSE SENSOR

An optional chest pulse sensor offers hands-free operation as it monitors your heart rate during your workouts. **To purchase the optional chest pulse sensor, call the toll-free telephone number on the front cover of this manual.**



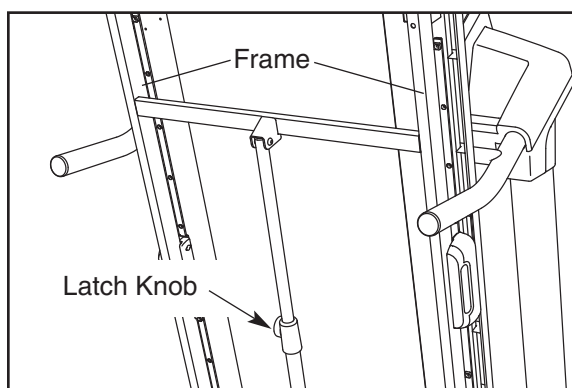
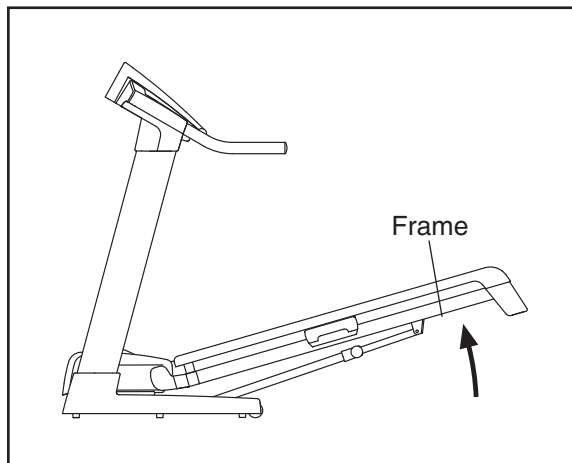
# HOW TO FOLD AND MOVE THE TREADMILL

## HOW TO FOLD THE TREADMILL FOR STORAGE

Before folding the treadmill, adjust the incline to the lowest position. If this is not done, you may permanently damage the treadmill. Remove the key and unplug the power cord. **CAUTION:** You must be able to safely lift 45 pounds (20 kg) to raise, lower, or move the treadmill.

1. Hold the metal frame firmly in the location shown by the arrow at the right. **CAUTION:** To decrease the possibility of injury, do not lift the treadmill by the plastic foot rails. Make sure you bend your legs and keep your back straight. As you raise the frame, make sure to lift with your legs rather than your back. Raise the frame about halfway to the vertical position.
2. Raise the frame until the latch knob locks into the storage position. **Make sure that the latch knob is locked in the storage position.**

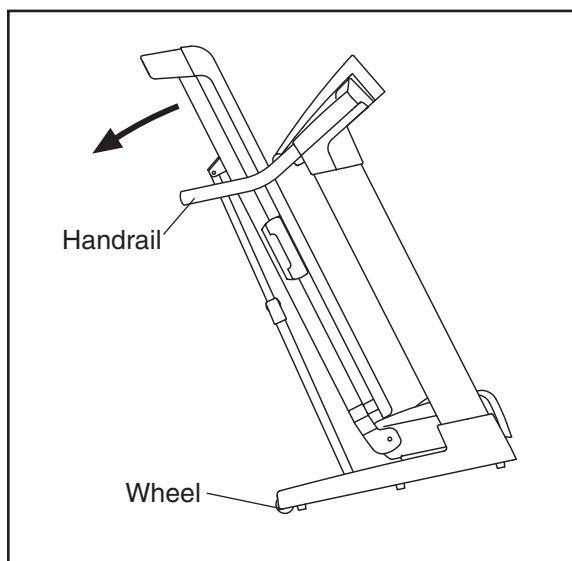
To protect the floor or carpet from damage, place a mat under the treadmill. Keep the treadmill out of direct sunlight. Do not leave the treadmill in the storage position in temperatures above 85° Fahrenheit.



## HOW TO MOVE THE TREADMILL

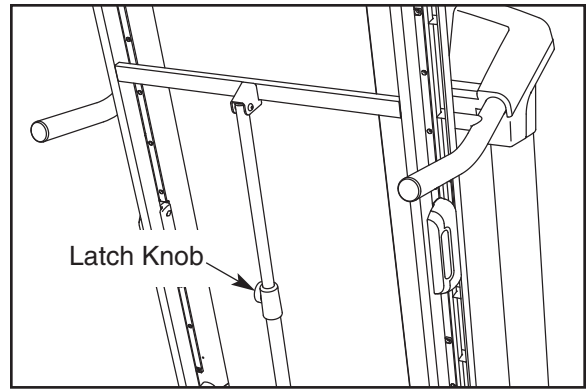
Before moving the treadmill, convert it to the storage position as described above. **Make sure that the latch knob is locked in the storage position.**

1. Hold the handrails and place one foot against a wheel.
2. Tilt the treadmill back until it rolls freely on the wheels. Carefully move the treadmill to the desired location. **Never move the treadmill without tipping it back. To reduce the risk of injury, use extreme caution while moving the treadmill. Do not attempt to move the treadmill over an uneven surface.**
3. Place one foot against a wheel, and carefully lower the treadmill until it is resting in the storage position.

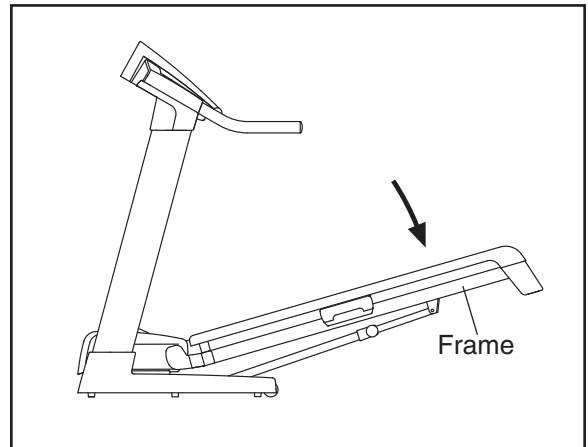


## HOW TO LOWER THE TREADMILL FOR USE

1. Hold the upper end of the treadmill with your right hand. Pull the latch knob to the left and hold it. Pivot the frame downward and release the latch knob.



2. **Hold the metal frame firmly with both hands, and lower it to the floor. CAUTION: To decrease the possibility of injury, do not lower the frame by gripping only the plastic foot rails. Do not drop the frame to the floor. Make sure to bend your legs and keep your back straight.**



# TROUBLESHOOTING

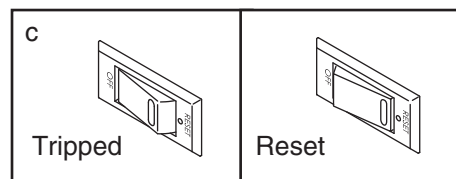
Most treadmill problems can be solved by following the steps below. Find the symptom that applies, and follow the steps listed. If further assistance is needed, please see the front cover of this manual.

**PROBLEM: The power does not turn on**

**SOLUTION:** a. Make sure that the power cord is plugged into a surge suppressor, and that the surge suppressor is plugged into a properly grounded outlet (see page 11). Use only a single-outlet surge suppressor that meets all of the specifications described on page 11. Important: The treadmill is not compatible with GFCI-equipped outlets.

b. After the power cord has been plugged in, make sure that the key is inserted into the console.

c. Check the reset/off circuit breaker located on the treadmill frame near the power cord. If the switch protrudes as shown, the circuit breaker has tripped. To reset the circuit breaker, wait for five minutes and then press the switch to the reset position.



**PROBLEM: The power turns off during use**

**SOLUTION:** a. Check the reset/off circuit breaker (see the drawing above). If the circuit breaker has tripped, wait for five minutes and then press the switch to the reset position.

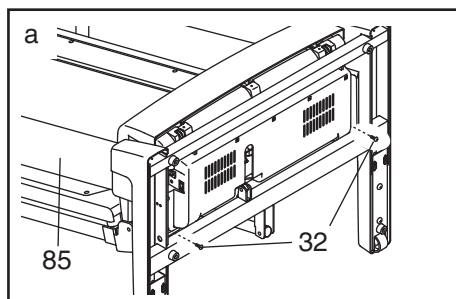
b. Make sure that the power cord is plugged in. If the power cord is plugged in, unplug it, wait for five minutes, and then plug it back in.

c. Remove the key from the console. Reinsert the key into the console.

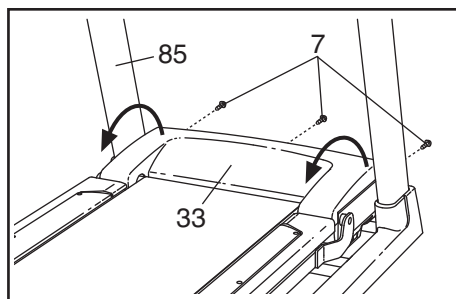
d. If the treadmill still will not run, please see the front cover of this manual.

**PROBLEM: The displays of the console do not function properly**

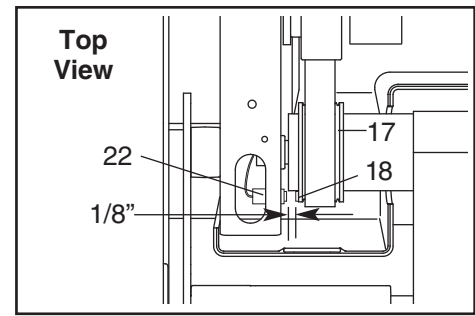
**SOLUTION:** a. Remove the key from the console and **UNPLUG THE POWER CORD**. Next, carefully lower the Uprights (85). Remove the two indicated Belly Pan Screws (32). Note: A phillips screwdriver with an 8" shaft is needed.



Raise the Upright (85) to the vertical position. Remove the three 3/4" Screws (7) from the Hood (33), and carefully pivot the Hood off.



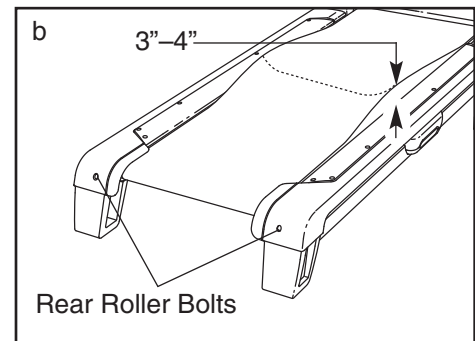
Locate the Reed Switch (22) and the Magnet (18) on the left side of the Pulley (17). Turn the Pulley until the Magnet is aligned with the Reed Switch. **Make sure that the gap between the Magnet and the Reed Switch is about 1/8"**. If necessary, move the Reed Switch slightly using a slotted screwdriver. Reattach the Motor Hood (not shown), making sure that the 3/4" Screws (not shown) are inserted into the same holes from which they were removed. Run the treadmill for a few minutes to check for a correct speed reading.



**PROBLEM: The walking belt slows when walked on**

**SOLUTION:** a. Use only a single-outlet surge suppressor that meets all of the specifications described on page 11.

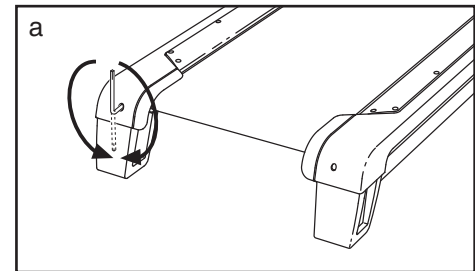
b. If the walking belt is overtightened, treadmill performance may decrease and the walking belt may become damaged. Remove the key and **UNPLUG THE POWER CORD**. Using the hex key, turn both rear roller bolts counterclockwise, 1/4 of a turn. When the walking belt is properly tightened, you should be able to lift each edge of the walking belt 3 to 4 inches off the walking platform. Be careful to keep the walking belt centered. Then, plug in the power cord, insert the key, and run the treadmill for a few minutes. Repeat until the walking belt is properly tightened.



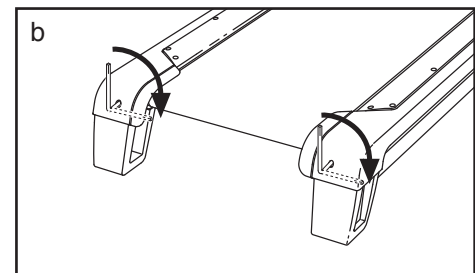
c. If the walking belt still slows when walked on, please see the front cover of this manual.

**PROBLEM: The walking belt is off-center or slips when walked on**

**SOLUTION:** a. If the walking belt is off-center, remove the key and **UNPLUG THE POWER CORD**. **If the walking belt has shifted to the left**, use the hex key to turn the left rear roller bolt clockwise 1/2 of a turn; **if the walking belt has shifted to the right**, turn the left rear roller bolt counterclockwise 1/2 of a turn. Be careful not to overtighten the walking belt. Plug in the power cord, insert the key, and run the treadmill for a few minutes. Repeat until the walking belt is centered.



b. If the walking belt slips when walked on, first remove the key and **UNPLUG THE POWER CORD**. Using the hex key, turn both rear roller bolts clockwise, 1/4 of a turn. When the walking belt is correctly tightened, you should be able to lift each edge of the walking belt 3 to 4 inches off the walking platform. Be careful to keep the walking belt centered. Then, plug in the power cord, insert the key, and carefully walk on the treadmill for a few minutes. Repeat until the walking belt is properly tightened.



**PROBLEM: The incline of the treadmill does not change correctly**

**SOLUTION:** a. With the key in the console, press one of the Incline buttons. **While the incline is changing, remove the key.** After a few seconds, re-insert the key. The treadmill will automatically rise to the maximum incline level and then return to the minimum level. This will recalibrate the incline system.

# CONDITIONING GUIDELINES

**⚠️ WARNING:** Before beginning this or any exercise program, consult your physician. This is especially important for individuals over the age of 35 or individuals with pre-existing health problems.

The pulse sensor is not a medical device. Various factors, including your movement, may affect the accuracy of heart rate readings. The sensor is intended only as an exercise aid in determining heart rate trends in general.

The following guidelines will help you to plan your exercise program. For more detailed exercise information, obtain a reputable book or consult your physician.

## EXERCISE INTENSITY

Whether your goal is to burn fat or to strengthen your cardiovascular system, the key to achieving the desired results is to exercise with the proper intensity. The proper intensity level can be found by using your heart rate as a guide. The chart below shows recommended heart rates for fat burning and aerobic exercise.

165	155	145	140	130	125	115	♥
145	138	130	125	118	110	103	♥
125	120	115	110	105	95	90	♥
20	30	40	50	60	70	80	

To find the proper heart rate for you, first find your age near the bottom of the chart (ages are rounded off to the nearest ten years). Next, find the three numbers above your age. The three numbers define your “training zone.” The lower two numbers are recommended heart rates for fat burning; the higher number is the recommended heart rate for aerobic exercise.

To measure your heart rate during exercise, use the pulse sensor on the console.

### Fat Burning

To burn fat effectively, you must exercise at a relatively low intensity level for a sustained period of time. During the first few minutes of exercise, your body

uses easily accessible *carbohydrate calories* for energy. Only after the first few minutes does your body begin to use stored *fat calories* for energy. If your goal is to burn fat, adjust the speed and incline of the treadmill until your heart rate is near the lowest number in your training zone.

For maximum fat burning, adjust the speed and incline of the treadmill until your heart rate is near the middle number in your training zone.

### Aerobic Exercise

If your goal is to strengthen your cardiovascular system, your exercise must be “aerobic.” Aerobic exercise is activity that requires large amounts of oxygen for prolonged periods of time. This increases the demand on the heart to pump blood to the muscles, and on the lungs to oxygenate the blood. For aerobic exercise, adjust the speed and incline of the treadmill until your heart rate is near the highest number in your training zone.

## WORKOUT GUIDELINES

Each workout should include the following three parts:

**A Warm-up**—Start each workout with 5 to 10 minutes of stretching and light exercise. A proper warm-up increases your body temperature, heart rate and circulation in preparation for exercise.

**Training Zone Exercise**—After warming up, increase the intensity of your exercise until your pulse is in your training zone for 20 to 60 minutes. (During the first few weeks of your exercise program, do not keep your pulse in your training zone for longer than 20 minutes.) Breathe regularly and deeply as you exercise—never hold your breath.

**A Cool-down**—Finish each workout with 5 to 10 minutes of stretching to cool down. This will increase the flexibility of your muscles and will help prevent post-exercise problems.

## EXERCISE FREQUENCY

To maintain or improve your condition, complete three workouts each week, with at least one day of rest between workouts. After a few months, you may complete up to five workouts each week if desired. The key to success is to make exercise a regular and enjoyable part of your everyday life.



# PART LIST—Model No. NTL09806.0

R0806A

To locate the parts listed below, see the EXPLODED DRAWING starting on page 32.

Key No.	Qty.	Description	Key No.	Qty.	Description
1	1	Left Foot Rail	52	8	Plastic Tie
2	10	Foot Rail Screw	53	1	Front Roller Bushing
3	2	Cushion Adjustor	54	1	Right Foot Rail
4	2	Adjustor Guide	55	1	Frame
5	2	Rear Platform Screw	56	1	Front Roller Ground Wire
6	1	Latch Warning Decal	57	2	Platform Nut
7	24	3/4" Screw	58	1	Idler Washer
8	18	Adjustor Guide Screw	59	1	Idler Pulley
9	1	Right Upright Sleeve	60	2	Rear Roller Lock Washer
10	2	Isolator	61	2	Rear Roller Bracket
11	2	Platform Screw, Front	62	2	Rear Roller Bolt
12	2	Belt Guide	63	4	Base Cover Screw
13	4	Belt Guide Screw	64	1	Rear Roller
14	2	Frame Pivot Bolt	65	4	Wheel Spacer
15	1	Walking Platform	66	1	Idler Pulley Bolt
16	1	Walking Belt	67	4	3/8" Star Washer
17	1	Front Roller	68	1	Idler Arm Bolt
18	1	Magnet	69	1	Idler Arm Spacer
19	2	Frame Spacer	70	1	Handrail
20	5	Nut	71	2	Round Upright Endcap
21	1	Reed Switch Clip	72	4	Console Bolt
22	1	Reed Switch	73	1	Upright Wire Harness
23	8	1/2" Screw	74	1	Idler Arm
24	4	Cable Tie	75	1	Idler Arm Spring
25	1	Drive Motor	76	1	Latch Assembly
26	1	Motor Belt	77	1	Left Upright Sleeve
27	4	Rear Foot Bolt	78	2	Handrail Endcap
28	1	Right Rear Foot	79	2	Base Pad Spacer
29	1	Left Rear Foot	80	2	Lift Frame Pivot Bolt
30	2	Lift Frame Nut	81	6	Base Pad
31	2	Motor Bolt	82	8	1" Tek Screw
32	6	Belly Pan Screw	83	4	U-nut
33	1	Motor Hood	84	2	Caution Decal
34	3	Hood Clip	85	1	Upright
35	1	Grommet	86	1	Right Base Cover
36	1	Upper Clevis Pin	87	4	Extension Leg Bolt
37	2	Cotter Pin	88	1	Left Base Cover
38	1	Front Roller Adjustment Bolt	89	2	Front Wheel
39	4	Rear Foot Nut	90	2	Console Fan Screw
40	1	Incline Motor	91	4	Extension Leg Nut
41	1	Incline Motor Pin, Lower	92	2	Wheel Bolt
42	4	Controller Screw/Tie Screw	93	1	iFIT Card
43	1	Controller	94	1	Lift Frame
44	1	Reset/Off Circuit Breaker	95	1	Access Door
45	1	Belly Pan	96	1	Lift Frame Ground Wire
46	2	Wheel Housing Screw	97	2	Extension Leg
47	1	Power Cord	98	1	Console Base
48	1	Incline Wire Harness	99	12	Screw
49	1	Hex Key	100	1	Console Fan Assembly
50	1	Tie Holder	101	2	Wheel Nut
51	3	Releasable Tie	102	2	Rear Roller Washer

Key No.	Qty.	Description	Key No.	Qty.	Description
103	1	Key/Clip	#	1	10" White Wire, M/F
104	4	Isolator Screw/Bracket Screw	#	1	8" Blue Wire, M/F
105	1	Console	#	1	8" Green Wire, F/Ring
106	1	Idler Pulley Nut	#	1	4" Red Wire, M/F
107	1	Idler Pulley Washer	#	1	4" Black Wire, M/F
108	1	Front Roller Nut	#	1	User's Manual
109	7	Latch Bolt			
110	4	5/16" Star Washer			
111	4	Cushion Stop			

#These parts are not illustrated.  
Specifications are subject to change without notice.

---

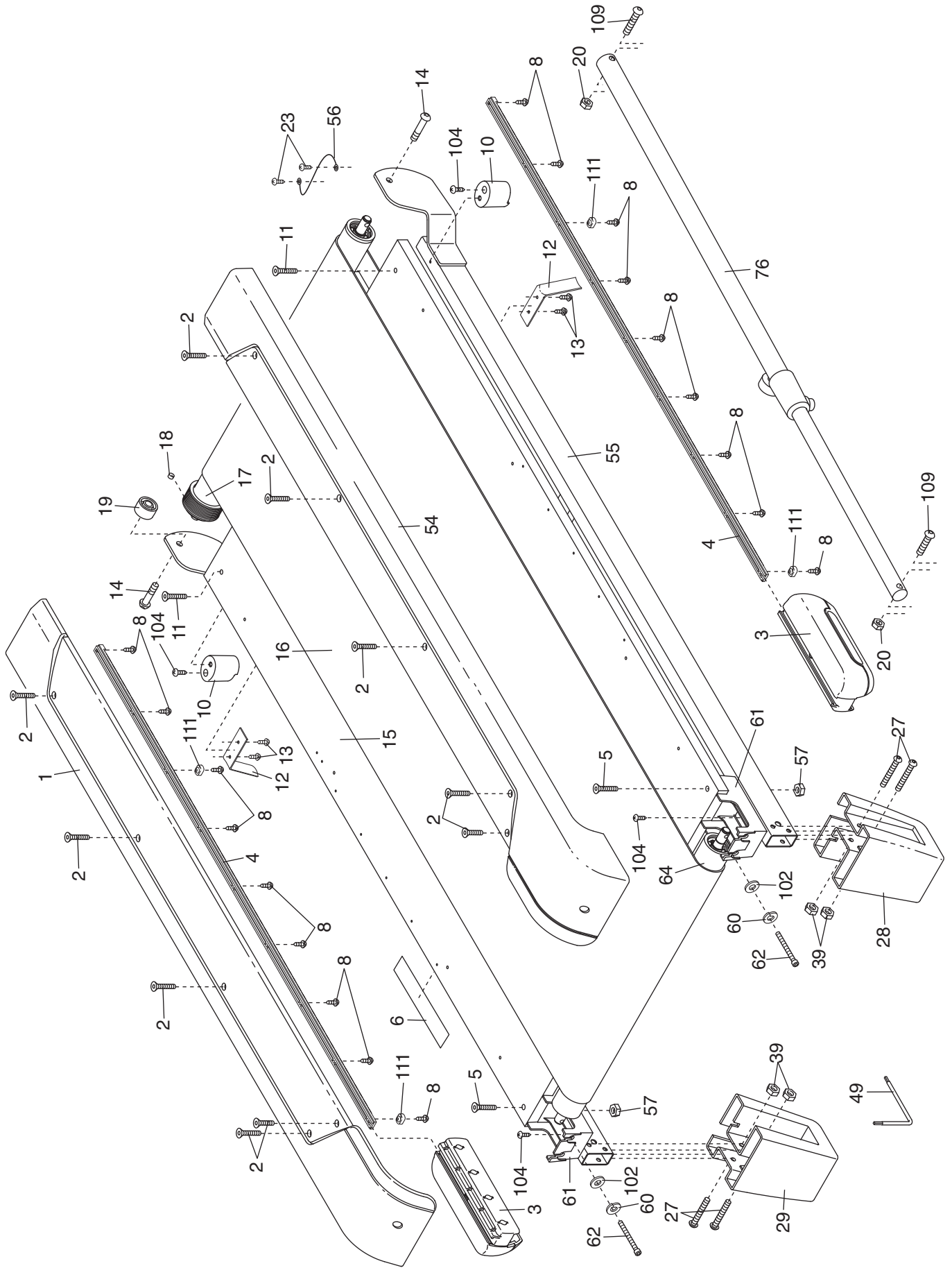
## ORDERING REPLACEMENT PARTS

To order replacement parts, see the front cover of this manual. When ordering parts, please be prepared to give the following information:

- the MODEL NUMBER OF THE PRODUCT (NTL09806.0)
- the NAME OF THE PRODUCT (NordicTrack C2400 treadmill)
- the SERIAL NUMBER OF THE PRODUCT (see the front cover of this manual)
- the KEY NUMBER AND DESCRIPTION OF THE PART(S) (see the PART LIST starting on page 30 and the EXPLODED DRAWING starting on page 32)

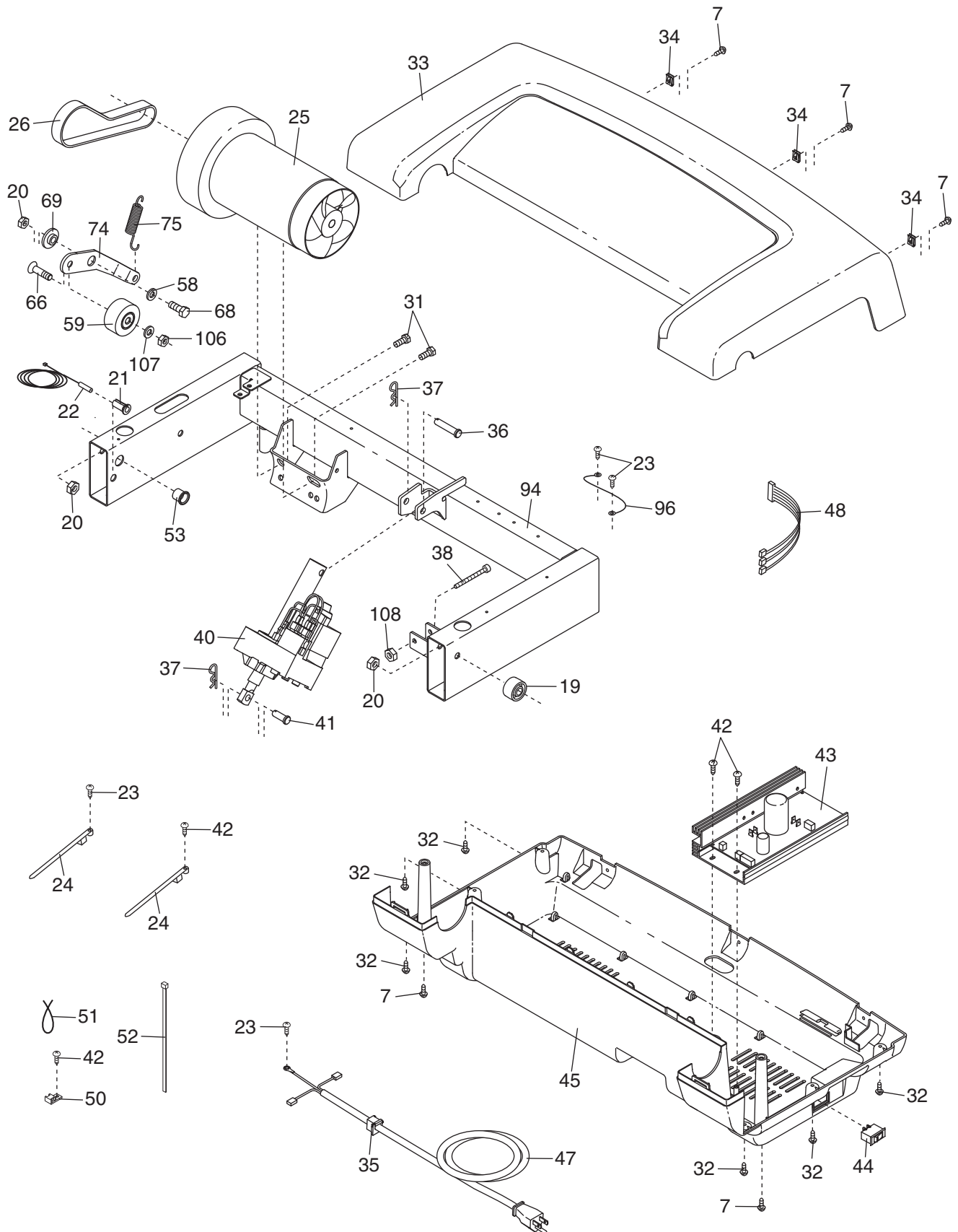
# EXPLODED DRAWING A—Model No. NTL09806.0

R0806A



# EXPLODED DRAWING B—Model No. NTL09806.0

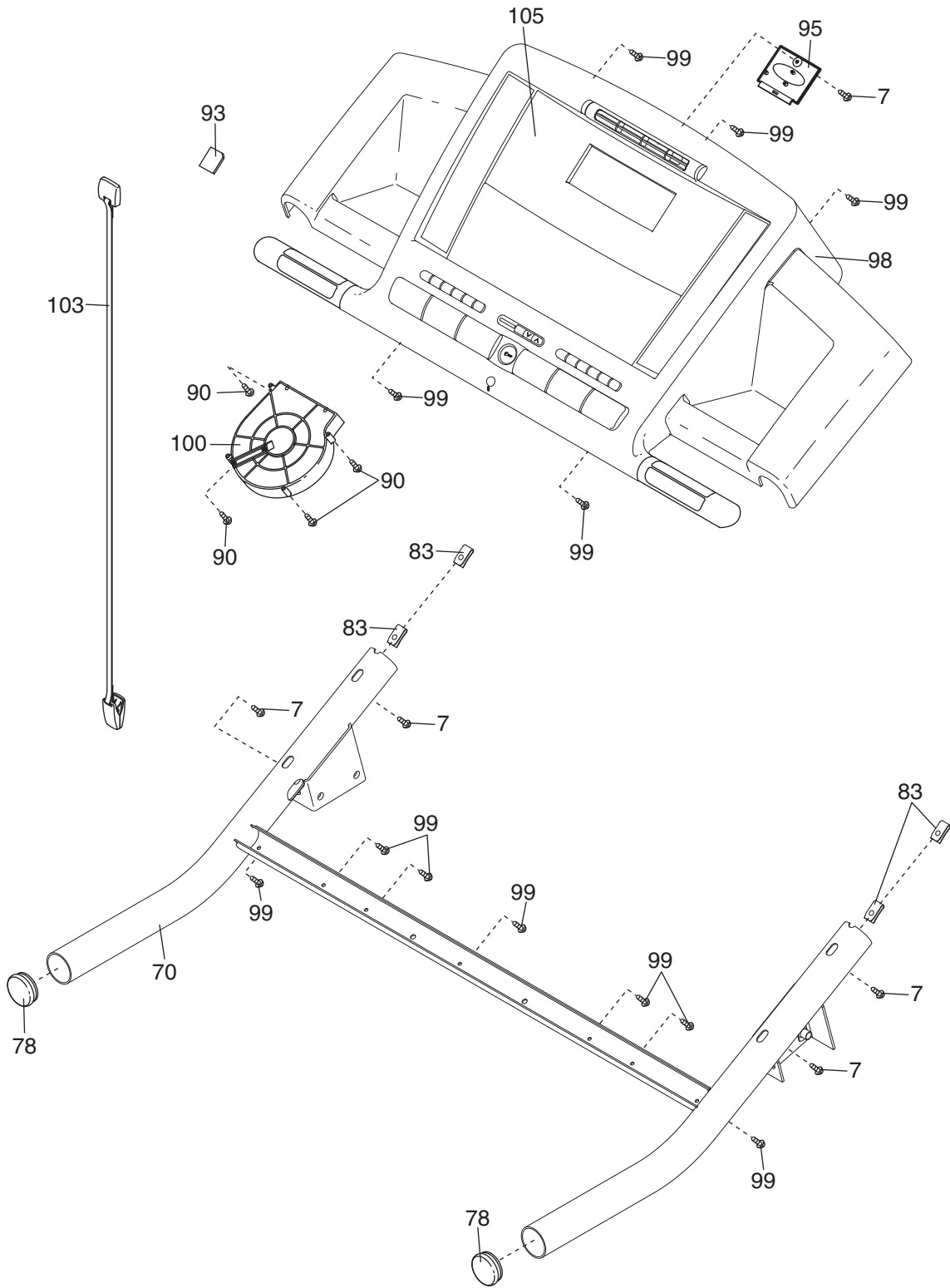
R0806A





# EXPLODED DRAWING D—Model No. NTL09806.0

R0806A



## LIMITED WARRANTY

**WHAT IS COVERED**—The entire NordicTrack C2400 treadmill (“Product”) is warranted to be free of all defects in material and workmanship.

**WHO IS COVERED**—The original purchaser or any person receiving the Product as a gift from the original purchaser.

**HOW LONG IS IT COVERED**—ICON Health & Fitness, Inc. (“ICON”), warrants the drive motor for life. Parts and labor are warranted for one year from the date of purchase.

**WHAT WE DO TO CORRECT COVERED DEFECTS**—We will ship to you, without charge, any replacement part or component, providing the repairs are authorized by ICON first and are performed by an ICON trained and authorized service provider, or, at our option, we will replace the Product.

**WHAT IS NOT COVERED**—Any failures or damage caused by unauthorized service, misuse, accident, negligence, improper assembly or installation, alterations, modifications without our written authorization or by failure on your part to use, operate, and maintain as set out in your User’s Manual (“Manual”). This warranty does not extend to products used for commercial or rental purposes.

**WHAT YOU MUST DO**—Always retain proof of purchase, such as your bill of sale; store, operate, and maintain the Product as specified in the Manual; notify our Customer Service Department of any defect within 10 days after discovery of the defect; as instructed, return any defected part for replacement or, if necessary, the entire product, for repair.

**USER’S MANUAL**—It is VERY IMPORTANT THAT YOU READ THE MANUAL before operating the Product. Remember to do the periodic maintenance requirements specified in the Manual to assure proper operation and your continued satisfaction.

**HOW TO GET PARTS AND SERVICE**—Simply call our Customer Service Department at 1-888-825-2588 and tell them your name and address and the serial number of your Product. They will tell you how to get a part replaced, or if necessary, arrange for service where your Product is located or advise you how to ship the Product for service. Before shipping, always obtain a Return Authorization Number (RA No.) from our Customer Service Department; securely pack your Product (save the original shipping carton if possible); put the RA No. on the outside of the carton and insure the product. Include a letter explaining the product or problem and a copy of your proof of purchase if you believe the service is covered by warranty.

ICON is not responsible or liable for indirect, special or consequential damages arising out of or in connection with the use or performance of the product or damages with respect to any economic loss, loss of property, loss of revenues or profits, loss of enjoyment or use, costs of removal, installation or other consequential damages of whatsoever nature. Some states do not allow the exclusion or limitation of incidental or consequential damages. Accordingly, the above limitation may not apply to you.

The warranty extended hereunder is in lieu of any and all other warranties and any implied warranties of merchantability or fitness for a particular purpose is limited in its scope and duration to the terms set forth herein. Some states do not allow limitations on how long an implied warranty lasts. Accordingly, the above limitation may not apply to you.

No one is authorized to change, modify or extend the terms of this limited warranty.

This warranty gives you specific legal rights and you may have other rights which vary from state to state.

**ICON HEALTH & FITNESS, INC., 1500 S. 1000 W., LOGAN, UT 84321-9813**