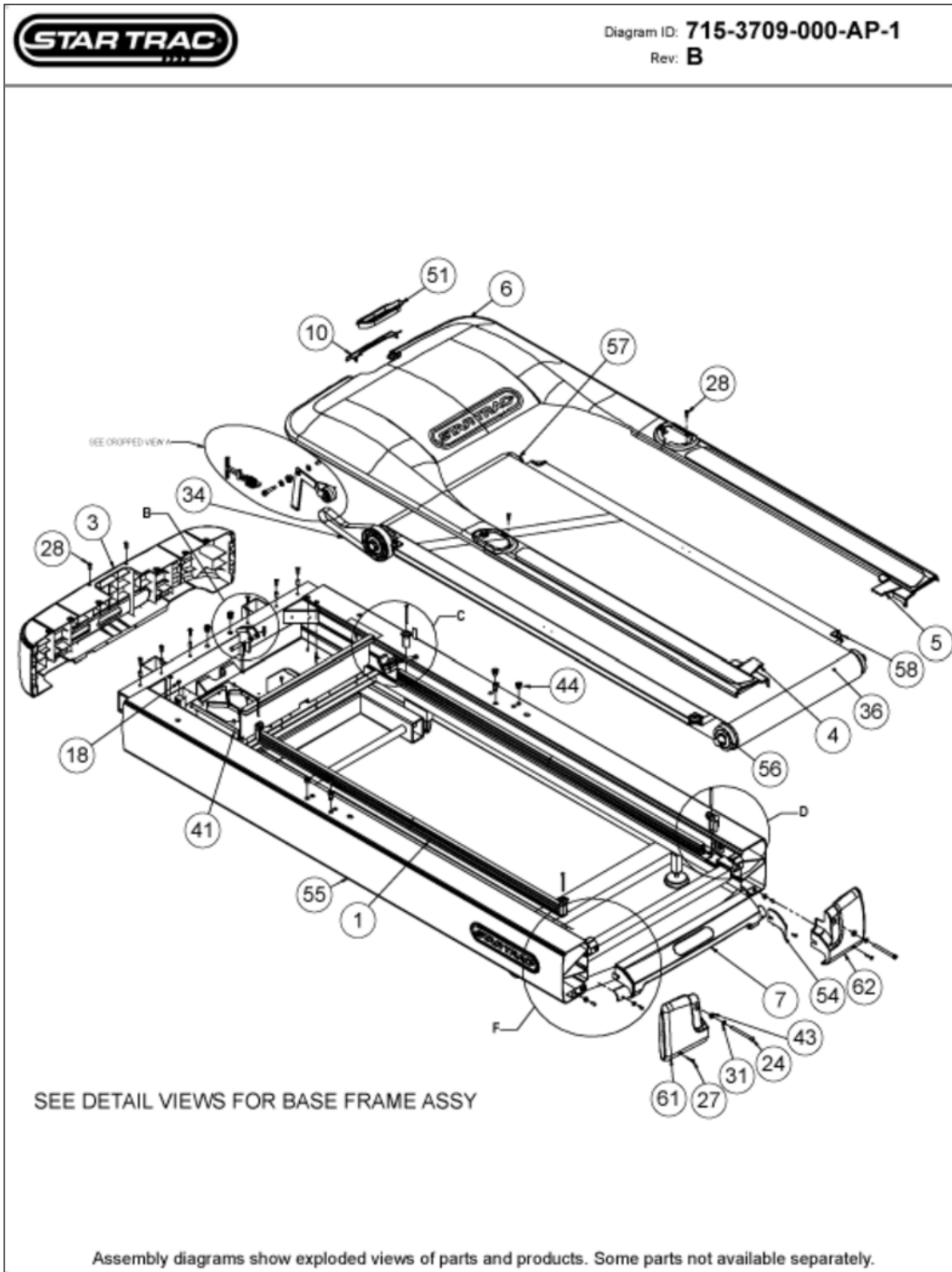


CARDIO • Treadmill • E Series Treadmill • E-TRx

# Base Frame Assy

## E-TRx



## Base Frame Assy E-TRx

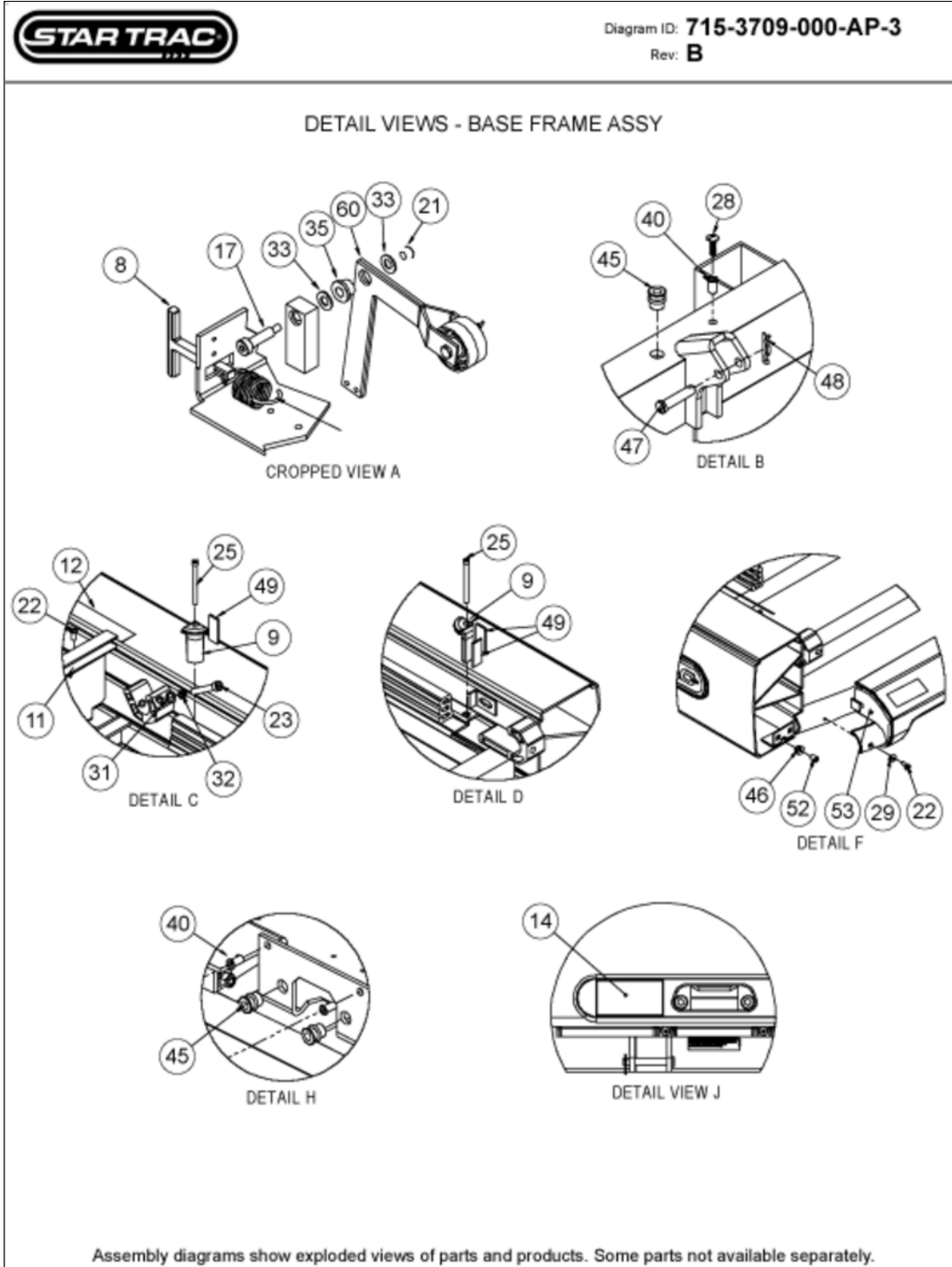
Callout	Part Number:	Description
1	<a href="#">010-3106</a>	DECK RUBBER, 53.5"
3	<a href="#">020-7030</a>	CAP, FRONT, OX
4	<a href="#">020-7033-01</a>	COVER, PLSTIC RAIL, LEFT, BACK
5	<a href="#">020-7033-02</a>	COVER, PLSTIC RAIL, RT, BACK
6	<a href="#">020-7034</a>	SHROUD, MOTOR, OX
7	<a href="#">020-7039</a>	COVER, PLASTIC, TAIL CENTER,
10	<a href="#">020-7232</a>	CAP, MOTOR SHROUD, TR OX
15	<a href="#">050-2070</a>	LABEL, SERIAL, TV KIT
18	<a href="#">110-1770</a>	<b>*OBSOLETE*</b>
24	<a href="#">110-3417</a>	SCREW, 10-24X2.5X.875, SHC, HE
27	<a href="#">110-3443</a>	SCREW, 10-32, 1.00, PHM, PH SS
28	<a href="#">110-3450</a>	SCREW, 10-24X3/4", TRUSS HEAD
31	<a href="#">120-0490</a>	WASHER, 5/16 X1/2" FLAT
36	<a href="#">130-1759</a>	BELT, RUN, E8/2 O/U3, AS TXGD1
41	<a href="#">140-3392</a>	SPACER BLOCK, MOTOR, TREAD
43	<a href="#">140-3405</a>	WASHER, HAT, TAIL CAP
44	<a href="#">140-3408</a>	RIVET, NUT, #5/16-18, PANEL
51	<a href="#">140-3428</a>	GROMMET, NECK, 6X2, TR, OX
54	<a href="#">140-3446-02</a>	SPACER, FOAM, TAIL CAP, RT,E-TRX
55	<a href="#">710-3141</a>	FRAME, STRUCTURE, POWDER COAT
56	<a href="#">715-3635</a>	ASSY, ROLLER, TAIL, FLAT, 88.9
57	<a href="#">715-3637</a>	ASSY, ROLLER, HEAD, FLAT, 88.9
58	<a href="#">715-3689</a>	ASSY, DECK, 25.75X53.75, OXTR
61	<a href="#">715-3791-01</a>	ASSY, COVER, TAIL, LEFT, E-TRX
62	<a href="#">715-3791-02</a>	ASSY, COVER, TAIL, RT, E-TRX

Parts are subject to availability. Part pricing may change with or without notice.  
Check the Star Trac Support Website <http://support.startrac.com> for current part pricing.

October 22, 2009

# CARDIO • Treadmill • E Series Treadmill • E-TRx

## Detail Views Base Frame Assy E-TRx



## Detail Views

### Base Frame Assy

E-TRx

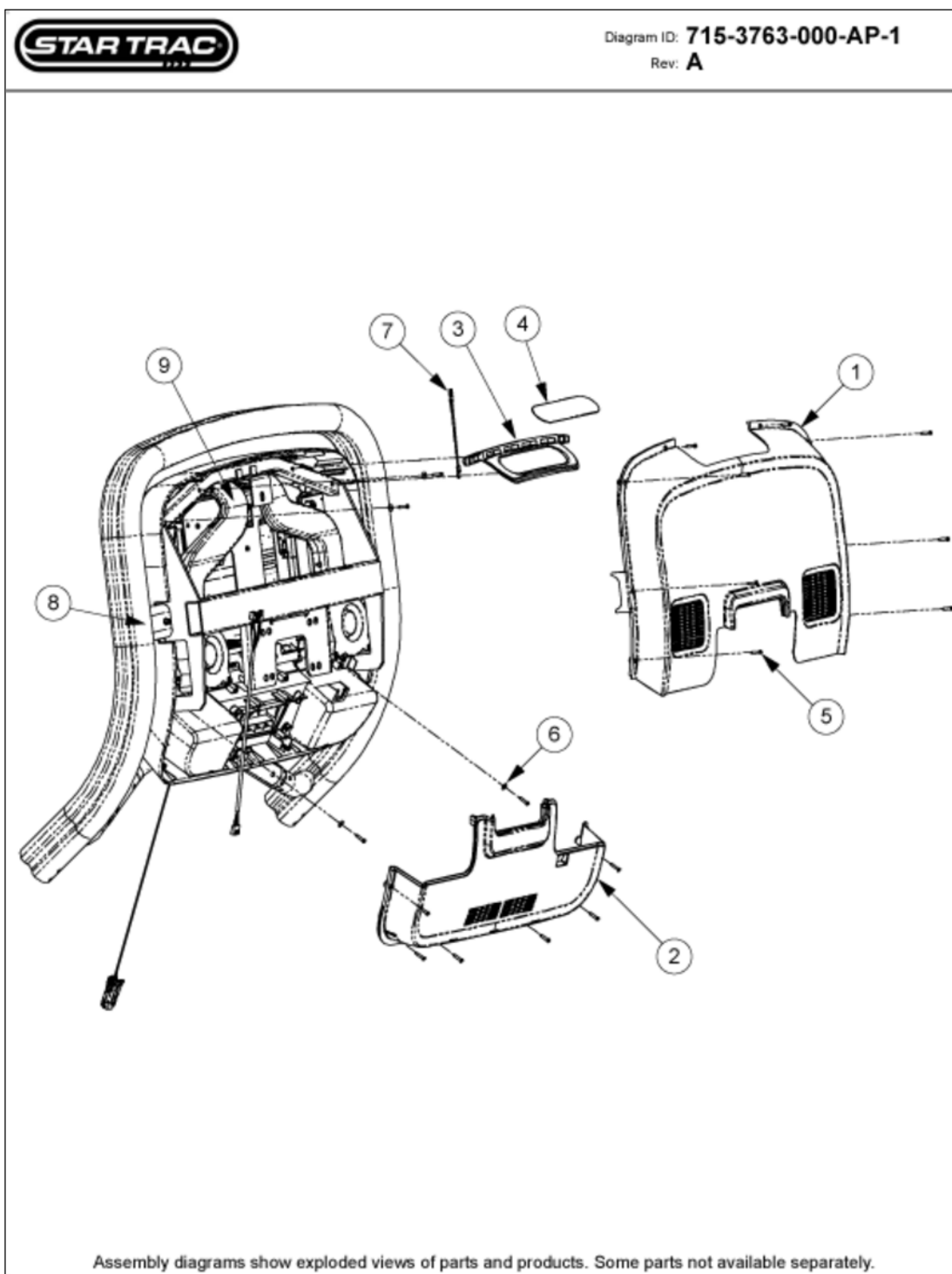
Callout	Part Number:	Description
8	<a href="#">020-7143</a>	HANDLE, QUICK RELEASE, TENSION
9	<a href="#">020-7228</a>	DECK, RETENTION, DELRIN, ROD
11	<a href="#">020-7271</a>	SHIELD, DUST, TR
12	<a href="#">020-7276</a>	BRACKET, DECK RETENTION, REAR
14	<a href="#">050-2041</a>	LOGO, STARTRAC, VLAD
17	<a href="#">050-2159</a>	LABEL, CAUTION, PINCH POINTS,TR
21	<a href="#">110-3026</a>	SCREW, 10-24X3/4" PHTCS
22	<a href="#">110-3056</a>	SCREW, 5/16-18X2.0" SHCS
23	<a href="#">110-3415</a>	SCREW, 5/16-18 X 3.5, SHC, HE,
25	<a href="#">110-3428</a>	BOLT, 3/8-16X2.25X1HEX, FLANGE
28	<a href="#">110-3450</a>	SCREW, 10-24X3/4", TRUSS HEAD
29	<a href="#">120-0341</a>	WASHER, #10 FLAT SAE
31	<a href="#">120-0490</a>	WASHER, 5/16 X1/2" FLAT
32	<a href="#">120-0496</a>	WASHER, 5/16" LOCK
33	<a href="#">120-3310</a>	WASHER, .390IDX.750ODX.067,
35	<a href="#">130-1756</a>	BUSHING, FLANGED, BRONZE,
40	<a href="#">140-3340</a>	RIVET NUT, #10-24, 130"-.225"
45	<a href="#">140-3409</a>	RIVET, NUT, #5/16-18, PANEL
46	<a href="#">140-3410</a>	NUT, GROMMET, #10, .03-.197
49	<a href="#">140-3416</a>	FOAM, PAD, BLK, 1.5X.65X.093
52	<a href="#">140-3439</a>	SPACER, RUBBER, .19X.315X.429
53	<a href="#">140-3446-01</a>	SPACER, FOAM, TAIL CAP, LT,E-TRX
60	<a href="#">715-3790</a>	ASSY, BELT TENSIONER, TR

Parts are subject to availability. Part pricing may change with or without notice.  
Check the Star Trac Support Website <http://support.startrac.com> for current part pricing.

October 22, 2009

CARDIO • Treadmill • E Series Treadmill • E-TRx

# Display & Handrail Assy Upper



## Display & Handrail Assy Upper

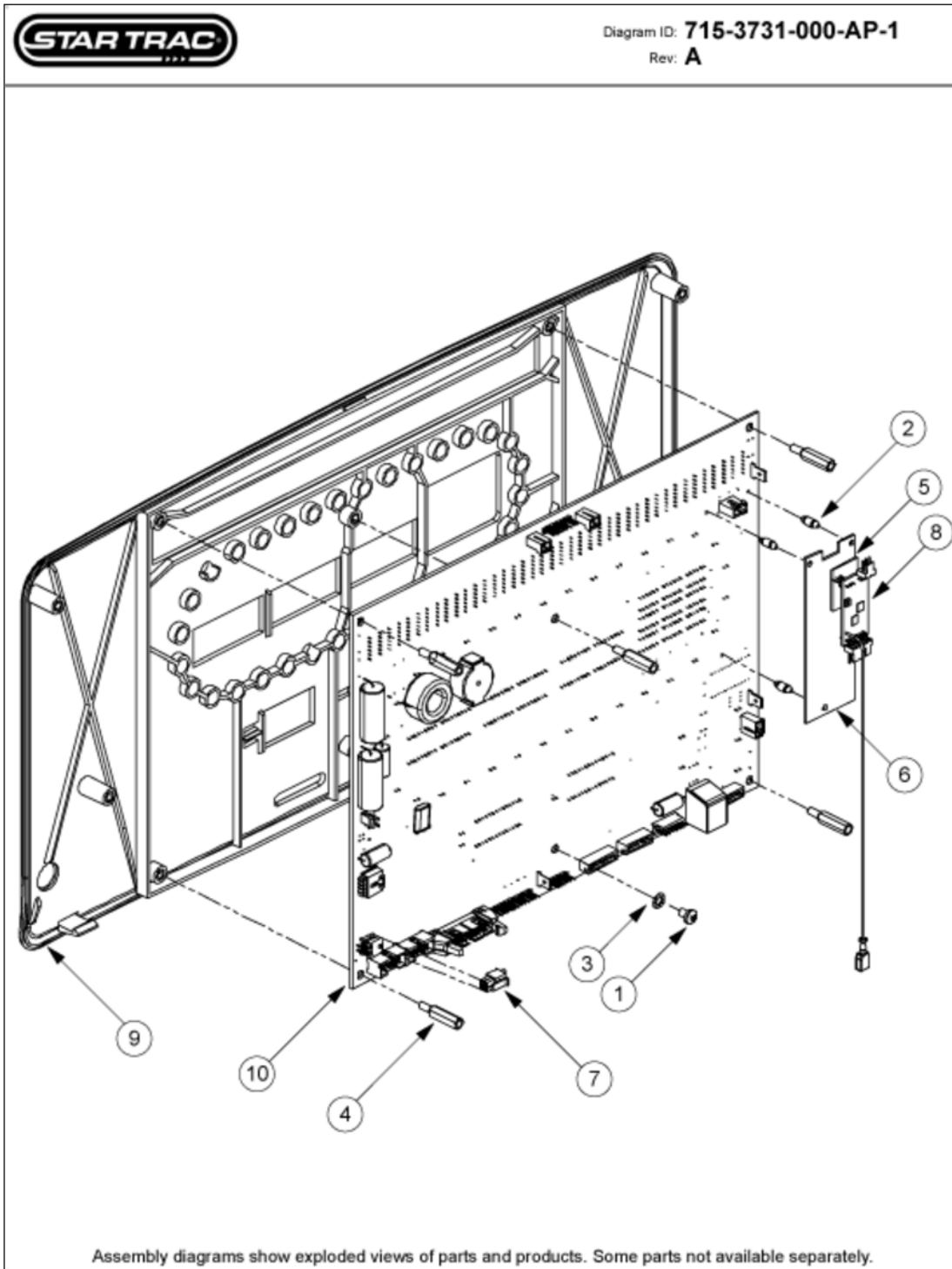
Callout	Part Number:	Description
1	<a href="#">020-7069</a>	REAR, TOP, TR
2	<a href="#">020-7070</a>	REAR, BOTTOM, TR
3	<a href="#">020-7074</a>	CAP, TV BLANK, TR
4	<a href="#">050-2066</a>	LOGO, STARTRAC, VLAD, TR
5	<a href="#">110-3402</a>	SCREW, M4X0.7X19L, PHT, PH, CS
6	<a href="#">120-3307</a>	WASHER, M4, 4.3MMIDX12MMOD
7	<a href="#">715-3676</a>	HARNESS, DISP GND STRAP, PRO
8	<a href="#">715-3747</a>	ASSY, FRONT HANDRAIL, E-TRX
9	<a href="#">715-3788</a>	ASSY, MAIN CONSOLE, ETR, LED

Parts are subject to availability. Part pricing may change with or without notice.  
Check the Star Trac Support Website <http://support.startrac.com> for current part pricing.

October 22, 2009

CARDIO • Treadmill • E Series Treadmill • E-TRx

# Display Panel & Elec



Slide: 1-1-13-35 • PD ID: 1035 • PROD Link ID: • D ID: 381

October 22, 2009

# Display Panel & Elec

---

<b>Callout</b>	<b>Part Number:</b>	<b>Description</b>
1	<a href="#">110-3407</a>	SCREW, M4X0.7X 6L, PHM, PH, BO
2	<a href="#">120-3244</a>	STANDOFF, 1/8"DIA X 3/16" NYLO
3	<a href="#">120-3258</a>	<b>*OBSOLETE*</b>
4	<a href="#">120-3315</a>	STANDOFF, M/F, M4X.07-21MM L
5	<a href="#">140-0665</a>	DOUBLE SIDED TAPE
6	<a href="#">140-3330</a>	<b>*OBSOLETE*</b>
7	<a href="#">715-3482</a>	JUMPER, STOP SW BYPASS
8	<a href="#">715-3675</a>	PCBA, SALUTRON 4000, VLAD
9	<a href="#">715-3733-KT</a>	KIT, KEYPAD PLASTIC, OX LED
10	<a href="#">715-3845</a>	ASSY, DISP BOAR LED,USB, E-TR

---

Parts are subject to availability. Part pricing may change with or without notice.  
Check the Star Trac Support Website <http://support.startrac.com> for current part pricing.

October 22, 2009

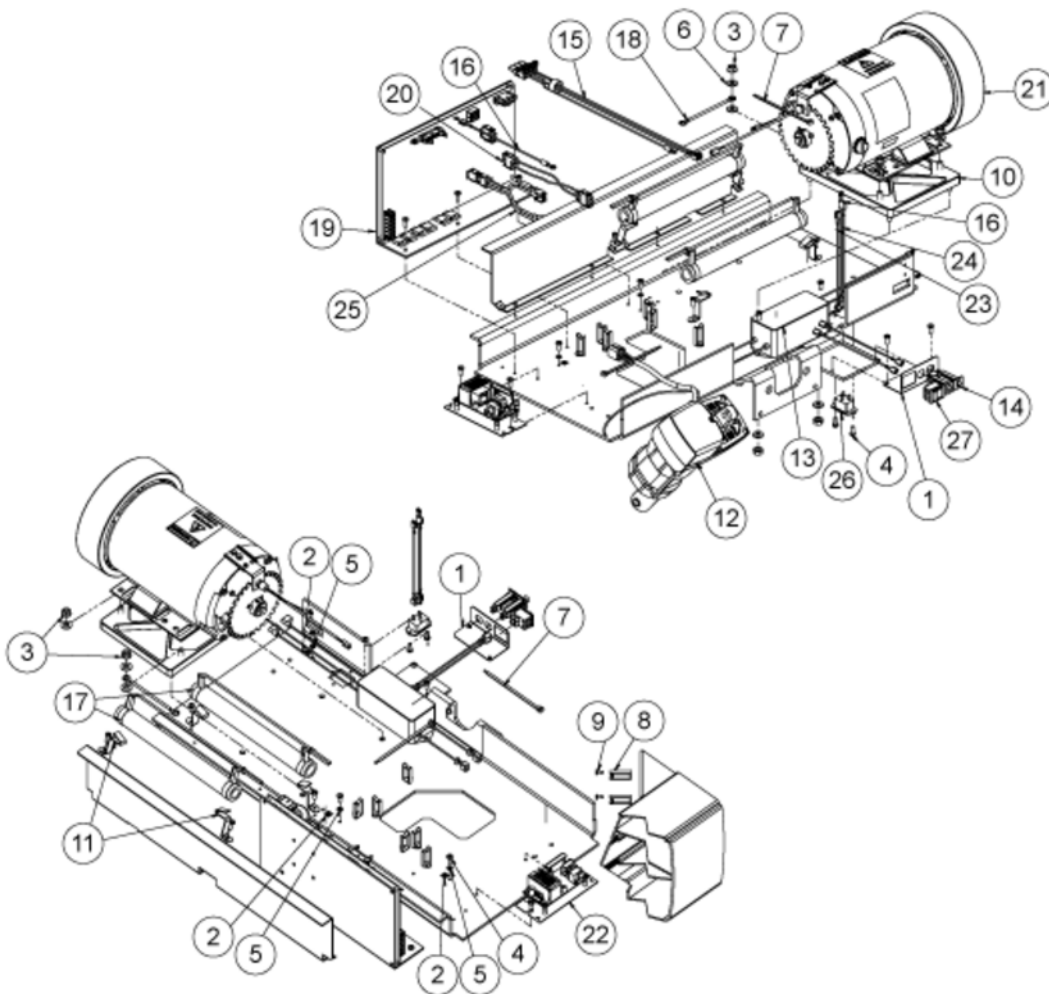


# CARDIO • Treadmill • E Series Treadmill • E-TRx

## Electrical Assy Lower (220V 10A) E-TRx



Diagram ID: 715-3813-000-AP-1  
Rev: B



Assembly diagrams show exploded views of parts and products. Some parts not available separately.

# Electrical Assy

## Lower (220V 10A)

### E-TRx

Callout	Part Number:	Description
1	<a href="#">020-7286</a>	BRACKET, SWITCH/BREAKER,E-TR/E-TRX
2	<a href="#">050-0411</a>	LABEL, GROUND UL/CSA
3	<a href="#">110-1870</a>	NUT, 5/16-18
4	<a href="#">110-3026</a>	SCREW, 10-24X3/4" PHTCS
5	<a href="#">120-0220</a>	WASHER, #10 EXT TOOTH
6	<a href="#">120-3023</a>	WASHER, 5/8IDX1.0"
7	<a href="#">140-0200</a>	TIE STRAP 5"
8	<a href="#">140-3232</a>	CLAMP, WIRE, SADDLE, 1.0"
9	<a href="#">140-3234</a>	RIVET, SNAP, .161" HOLE
10	<a href="#">140-3392</a>	SPACER BLOCK, MOTOR, TREAD
11	<a href="#">170-0688</a>	BRKT, RESISTOR MOUNT
12	<a href="#">260-0942</a>	MOTOR, GEAR, 220VAC, ELEV W/NUT
13	<a href="#">440-0273</a>	FILTER, EMI/HARMONICS, 250V,
14	<a href="#">470-0415</a>	BREAKER, THERMAL, 10A
15	<a href="#">715-3412</a>	CABLE, POWER, EMI-MCB
16	<a href="#">715-3457</a>	CABLE, GROUND WIRE
17	<a href="#">715-3588</a>	ASSY, RESISTOR, 200W, 1K OHM
18	<a href="#">715-3611</a>	BLEEDER ASSY, AC UNITS
19	<a href="#">715-3618</a>	MCB, 220V, AC SYSTEM
20	<a href="#">715-3674</a>	CABLE, POWER SUPPLY, AC-SYSTEM
21	<a href="#">715-3681</a>	ASSY, MOTOR, AC, INDUCTION
22	<a href="#">715-3784-KT</a>	KIT,PWR-SUPPLY 12V/65W, W/BRK
23	<a href="#">715-3801</a>	ASSY, CABLE, NEUTRAL WIRE, E-TRX
24	<a href="#">715-3802</a>	ASSY, CABLE, LINE WIRE, E-TRX
25	<a href="#">718-5191</a>	ASSY, CABLE EXT, RESISTOR, OX
26	<a href="#">740-6093</a>	IEC, CONNECTOR, 220V 10A
27	<a href="#">740-6116</a>	SWITCH, ON/OFF, 110V, 18A

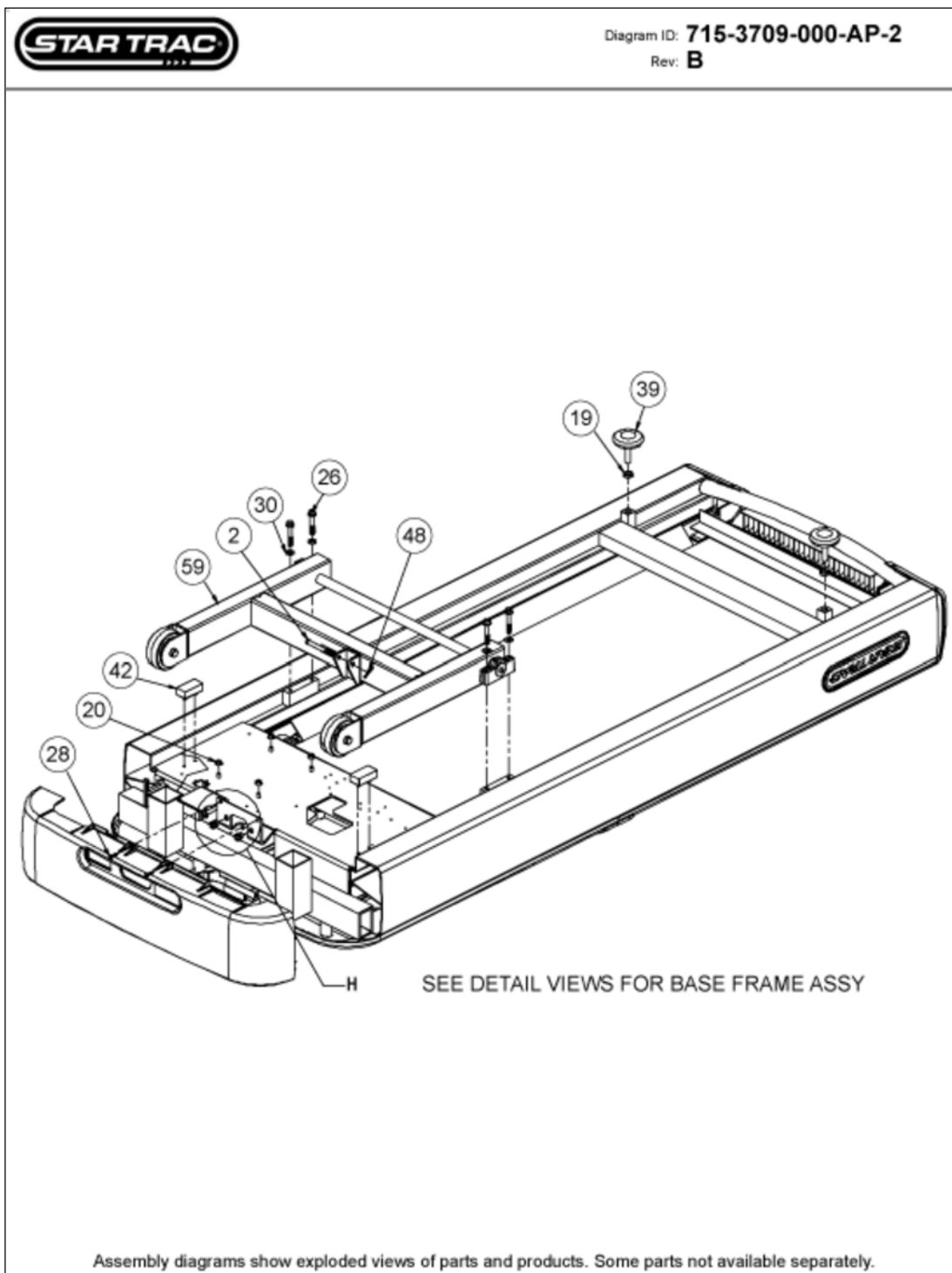
Parts are subject to availability. Part pricing may change with or without notice.  
Check the Star Trac Support Website <http://support.startrac.com> for current part pricing.

October 22, 2009

CARDIO • Treadmill • E Series Treadmill • E-TRx

# Elevation Frame Assy

## E-TRx



# Elevation Frame Assy

## E-TRx

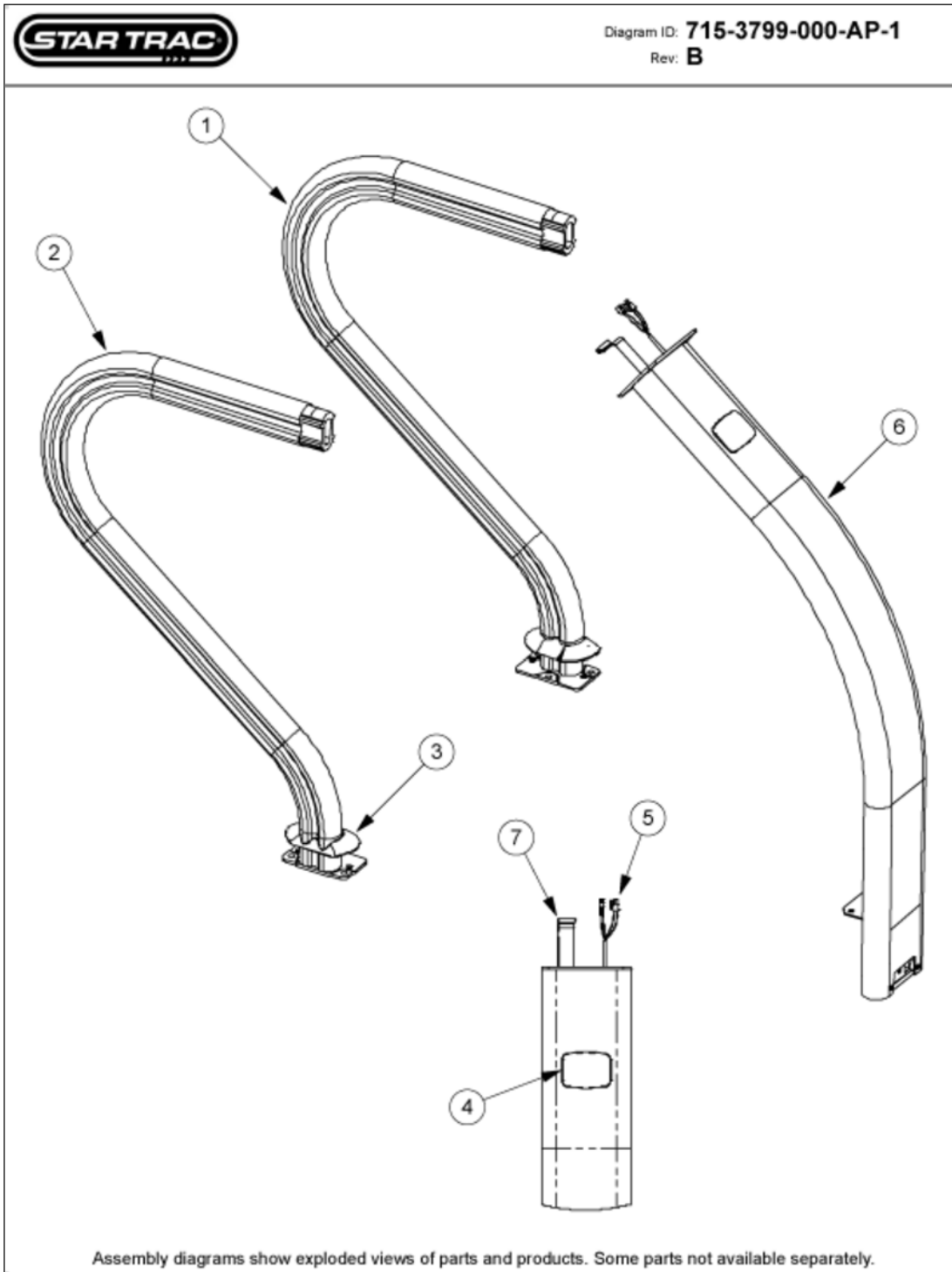
Callout	Part Number:	Description
2	<a href="#">020-6288</a>	PIN, CLEVIS, 3/8 X 2.5
19	<a href="#">110-1823</a>	NUT, 1/2-13X5/16" JAM
20	<a href="#">110-1870</a>	NUT, 5/16-18
26	<a href="#">110-3430</a>	PIN, CLEVIS, 3/8X1-5/8
28	<a href="#">110-3450</a>	SCREW, 10-24X3/4", TRUSS HEAD
30	<a href="#">120-0460</a>	WASHER, 3/8" LOCK
39	<a href="#">140-3200</a>	ADJUSTABLE FOOT, 1/2-13X3.0"
42	<a href="#">140-3397</a>	BUMP STOP, W/THREADED STUD
48	<a href="#">140-3415</a>	CLIP, CLEVIS PIN, 3/8
59	<a href="#">715-3726</a>	ASSY, SUB, ELEVATION

Parts are subject to availability. Part pricing may change with or without notice.  
Check the Star Trac Support Website <http://support.startrac.com> for current part pricing.

October 22, 2009

CARDIO • Treadmill • E Series Treadmill • E-TRx

# Handrail & Neck E-TRx



## Handrail & Neck E-TRx

---

Callout	Part Number:	Description
1	<a href="#">020-7179</a>	RAIL, SIDE, LEFT
2	<a href="#">020-7181</a>	RAIL, SIDE, RIGHT
3	<a href="#">020-7245</a>	GSKET, HANDRAIL, OX
4	<a href="#">050-2158</a>	BADGE, PRODUCT, E-TRX
5	<a href="#">715-3678</a>	HARNESS, DC SUPPLY, PRO TR
6	<a href="#">715-3699</a>	WELDMENT, FRONT RAIL
7	<a href="#">715-3781</a>	TRANSLATOR CABLE

---

Parts are subject to availability. Part pricing may change with or without notice.  
Check the Star Trac Support Website <http://support.startrac.com> for current part pricing.

October 22, 2009

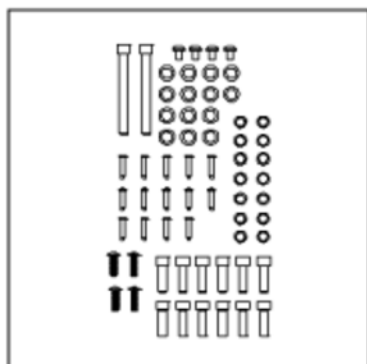
## CARDIO • Treadmill • E Series Treadmill • E-TRx

# Hardware Kit E-TRe & E-TRx



Diagram ID: **715-3808-000-AP-1**  
Rev: **A**

① Hardware Kit



Assembly diagrams show exploded views of parts and products. Some parts not available separately.

# Hardware Kit

## E-TRe & E-TRx

---

Callout Part Number:	Description
1 <a href="#">715-3808</a>	KIT, TOOLS, INSTALL, E-TRE/X

---

Parts are subject to availability. Part pricing may change with or without notice.  
Check the Star Trac Support Website <http://support.startrac.com> for current part pricing.

October 22, 2009



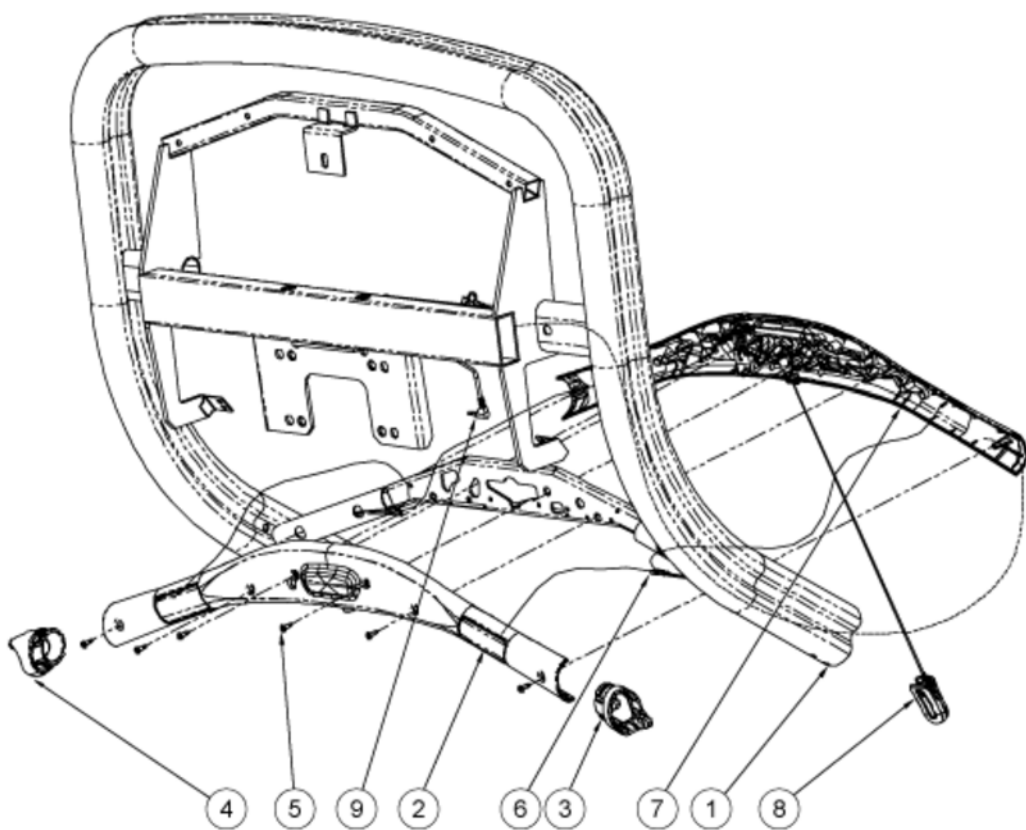
CARDIO • Treadmill • E Series Treadmill • E-TRx

# Hotbar Assy

## E-TRx



Diagram ID: 715-3747-000-AP-1  
Rev: C



Assembly diagrams show exploded views of parts and products. Some parts not available separately.

## Hotbar Assy E-TRx

Callout	Part Number:	Description
1	<a href="#">020-7183</a>	WELDMENT, TOP RAIL, OX
2	<a href="#">020-7214</a>	*ALT* USE PART # <a href="#">020-7330</a>
3	<a href="#">020-7218-01</a>	GROMMET, HOT BAR OX, LEFT
4	<a href="#">020-7218-02</a>	GROMMET, HOT BAR OX, RT
5	<a href="#">110-3165</a>	SCREW, M4X0.7X20L, PHT,PH,CS,ZI
6	<a href="#">715-3425</a>	SPLITTER, HR GRIP
7	<a href="#">715-3859-KT</a>	ASSY, HOT BAR, COMPLETE, ETRX
8	<a href="#">715-3719</a>	ASSY, LANYARD E-STOP, OX
9	<a href="#">715-3746</a>	CABLE, SW I/O THRU RAIL, OX

Parts are subject to availability. Part pricing may change with or without notice.  
Check the Star Trac Support Website <http://support.startrac.com> for current part pricing.

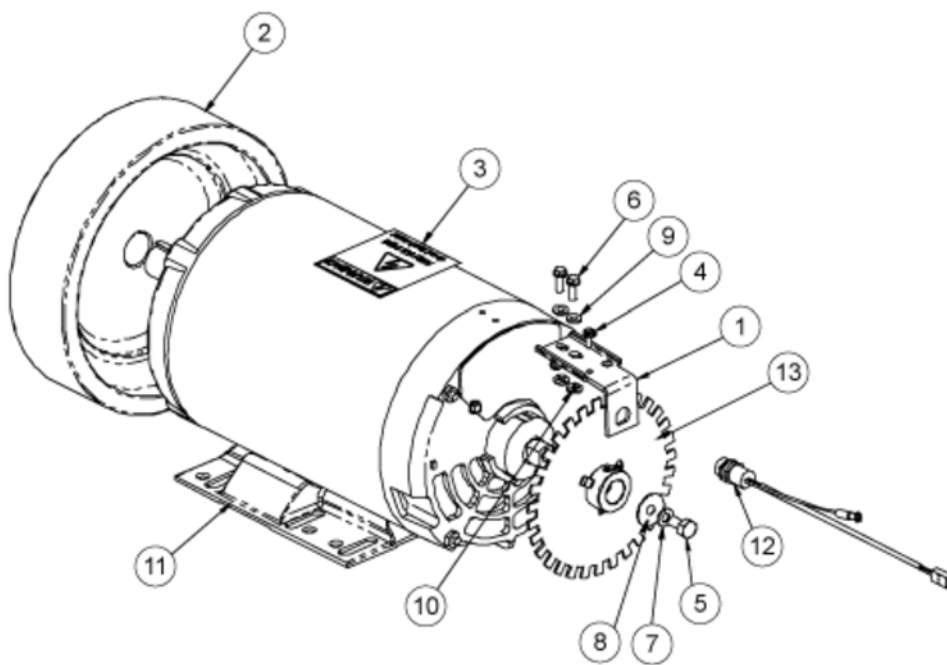
October 22, 2009

CARDIO • Treadmill • E Series Treadmill • E-TRx

# Motor Assy 220VAC



Diagram ID: 715-3681-000-AP-1  
Rev: A



Assembly diagrams show exploded views of parts and products. Some parts not available separately.

## Motor Assy 220VAC

Callout	Part Number:	Description
1	<a href="#">020-6563</a>	BRACKET, RPM SENSOR, SUPPORT
2	<a href="#">020-7128</a>	PULLEY, FLYWHEEL, 180J10X.875
3	<a href="#">050-1903</a>	LABEL, WARNING, HIGH VOLTAGE
4	<a href="#">110-0180</a>	<b>*OBSOLETE*</b>
5	<a href="#">110-0580</a>	SCREW, 1/4-20X1/2" HHCS
6	<a href="#">110-3429</a>	SCREW, 8-32X1/2", HHW, TAPTITE
7	<a href="#">120-0420</a>	WASHER, 1/4" LOCK
8	<a href="#">120-0425</a>	WASHER, FLAT, 1/4X7/8ODX.047
9	<a href="#">120-3266</a>	WASHER, #8, SHOULDER, NYLON
10	<a href="#">120-3267</a>	WASHER, #8, RETAINER, NYLON
11	<a href="#">260-0934</a>	MOTOR, DRIVE, 220V 5HP AC
12	<a href="#">560-0069</a>	RPM SENSOR, W/GRND WIRE, AC PT
13	<a href="#">715-3574</a>	RPM DISK, 31 SLOT, AC MOTOR

Parts are subject to availability. Part pricing may change with or without notice.  
Check the Star Trac Support Website <http://support.startrac.com> for current part pricing.

October 22, 2009