

Manuals

Replacement Parts

Check Order Status

FAQ

Contact Us

Product Registration

Extended Warranties

Privacy Policy



Customer Service

FREEMOTION UPRIGHT BIKE Replacement Parts

Please refer to the exploded drawing in your [user's manual](#) for the reference number of the parts. If you don't have a user's manual you can [view the exploded drawing](#) using [Adobe Acrobat®](#).

When you've found what you're looking for, just click on the part name to add it to the shopping cart.

For instructions on how to pay by check or money order, [click here](#).

Prices do not include shipping, handling, or tax.

Important Information

Please note: The quantity listed below is the total number of that part used on the model. Please order the quantity you need - the quantity can be changed in the shopping cart.

Parts list for the **FMEX3256P0**

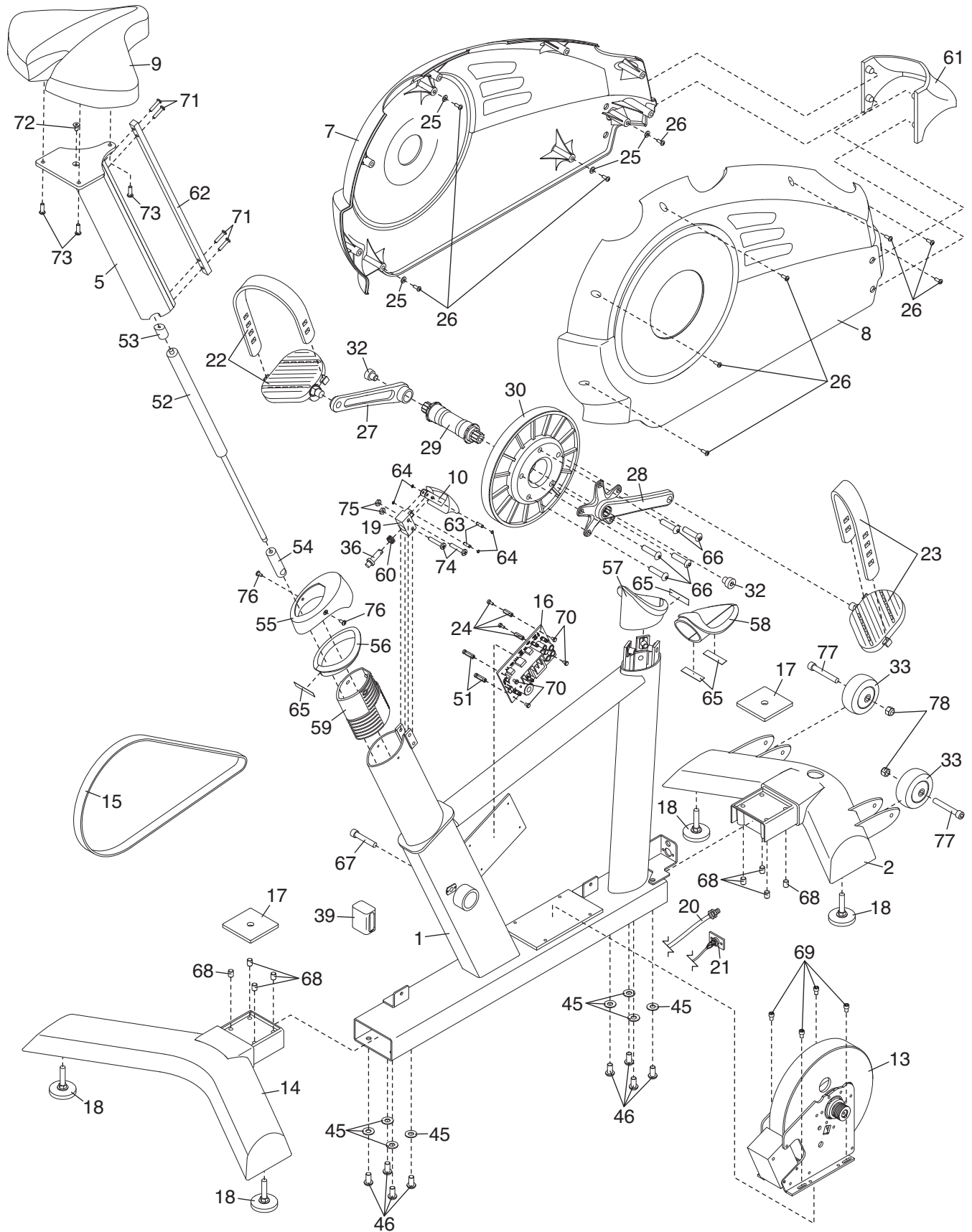
Ref#	Description	Qty	Part#	Ref#	Description	Qty	Part#
2	FRONT STABILIZER	1	cc3179	33	WHEEL	2	gz1112
4	CONSOLE	1	cc2162	37	CONTACT	8	172459
11	HAND PULSE GRIP	1	cc1069	38	GRIPINSERT	8	cc3105
13	GENERATOR ASSEMBLY	1	cc2233	39	BATTERY	1	213688
14	REAR STABILIZER	4	cc3180	43	PULSE GRIP SCREW	8	cc1294
16	CONTROL BOARD	1	cc2168	46	STABILIZER SCREW	8	cc1297
17	STABILIZER PLATE	2	cc3194	68	SET SCREW	8	cc1234
18	FOOT	4	213672	69	GENERATOR SCREW	4	192771
21	POWER RECEPTACLE	1	194142	71	ADJUSTMENT BAR SCREW	4	192770
25	SIDE SHIELD WASHER	4	014140	73	SEAT SCREW	3	194352
26	SIDE SHIELD SCREW	10	130853	75	ADJUSTMENT BLOCK NUT	2	012096
29	AXLE	1	194330	78	WHEEL NUT	2	133945
31	POWER CORD	1	172400	#	GENERATOR COIL WIRE	1	cc2181
32	CRANK SCREW	2	194335	#	ELECTROMAGNET WIRE	1	cc2182

Please note: The quantity listed is the total number of that part used on the model. Please order the quantity you need - the quantity can be changed in the shopping cart.

If the part you need is not listed above, please [contact](#) our Customer Service department.

EXPLODED DRAWING A

R0309A



EXPLODED DRAWING B

R0309A

