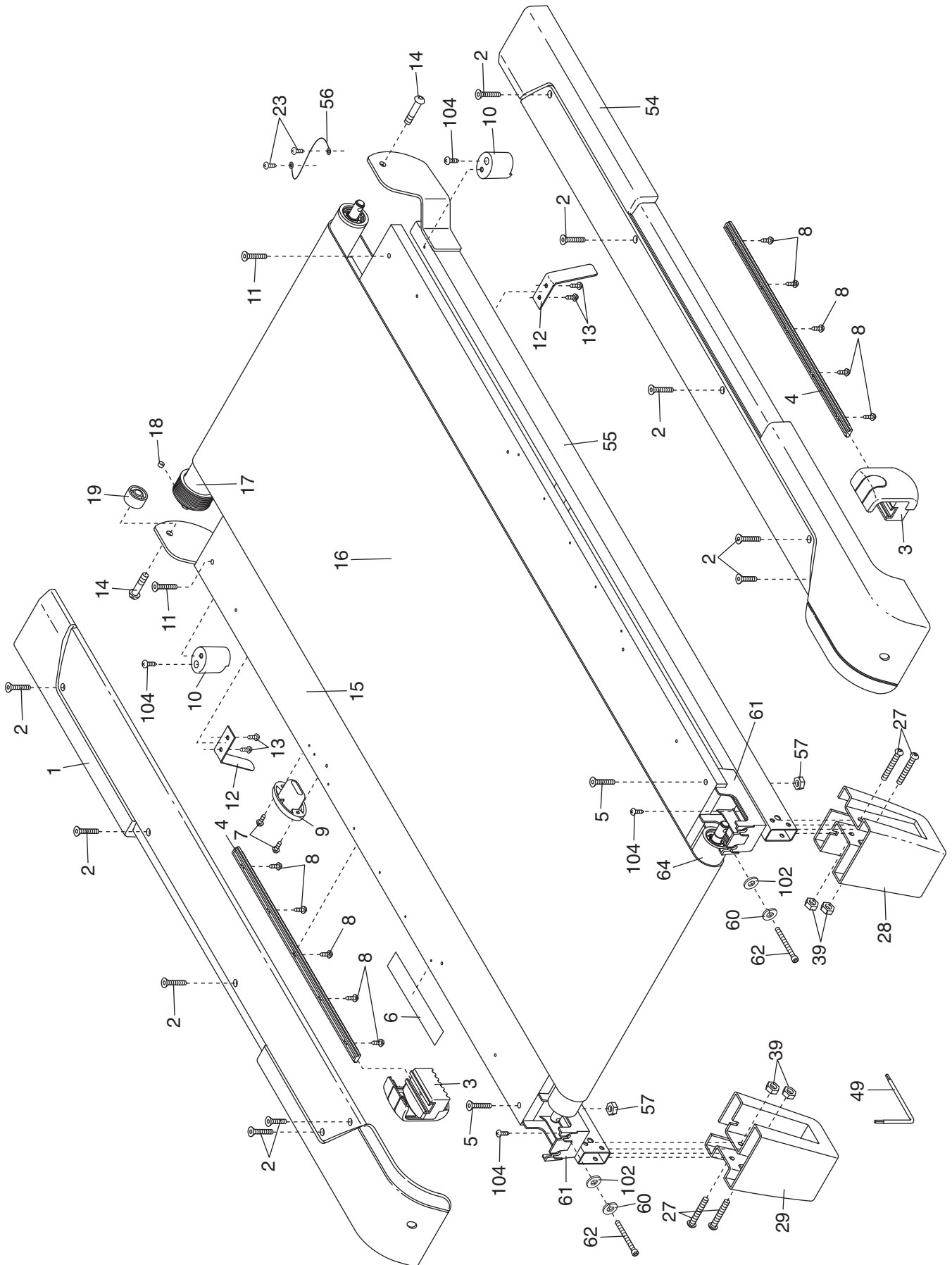


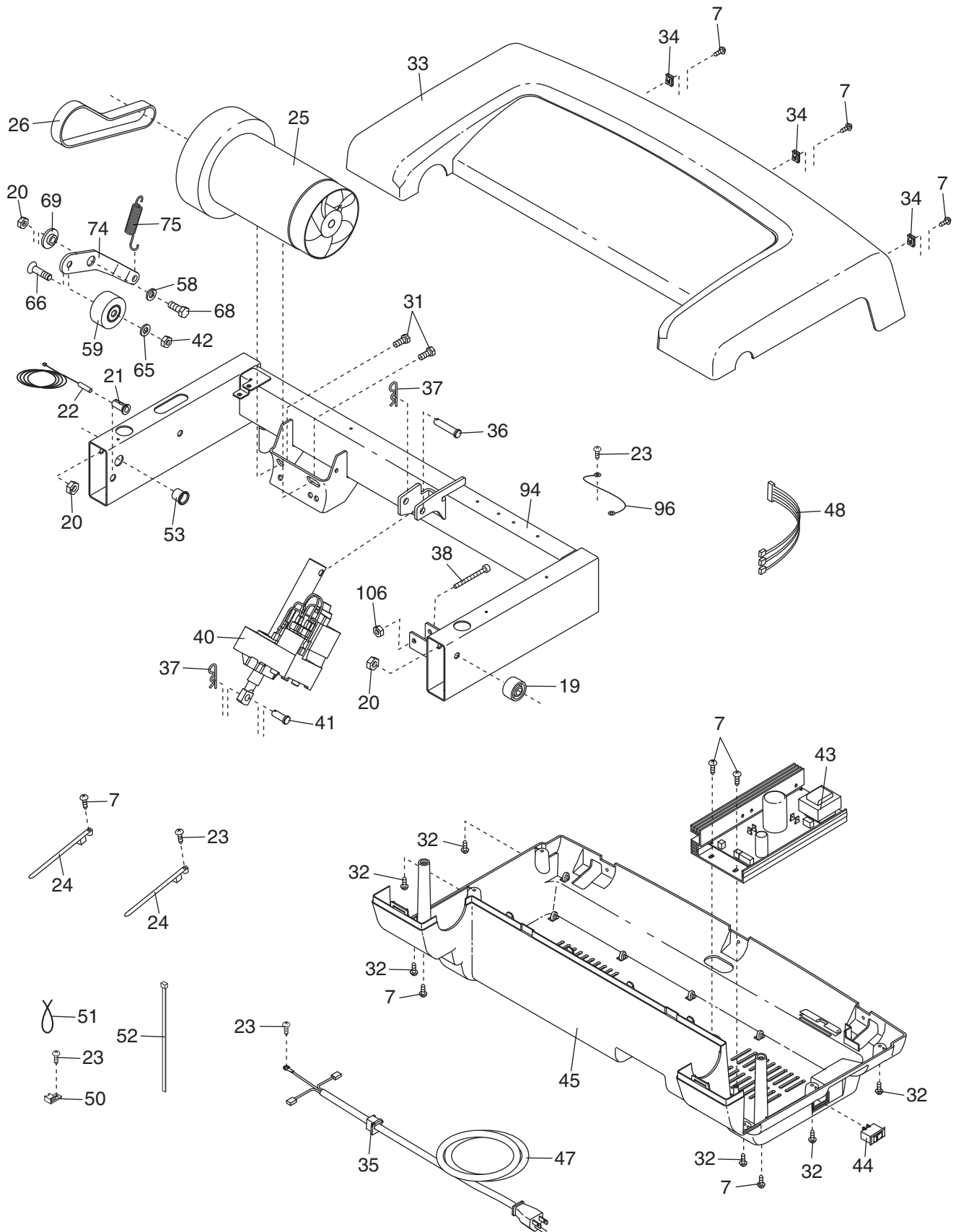
# EXPLODED DRAWING A—Model No. NTL07806.5

R0207B



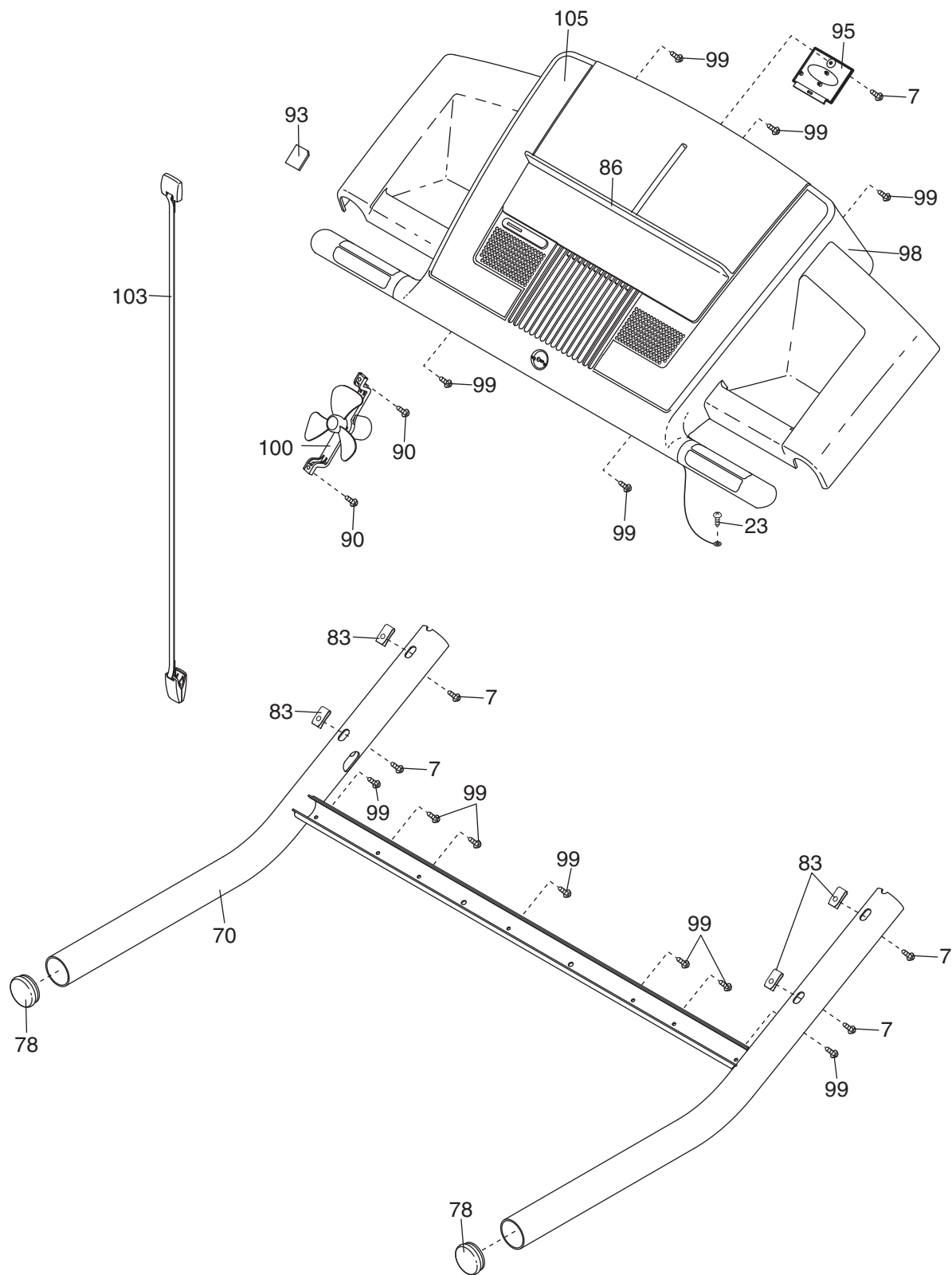
# EXPLODED DRAWING B—Model No. NTL07806.5

R0207B



# EXPLODED DRAWING C—Model No. NTL07806.5

R0207B



# EXPLODED DRAWING D—Model No. NTL07806.5

R0207B

