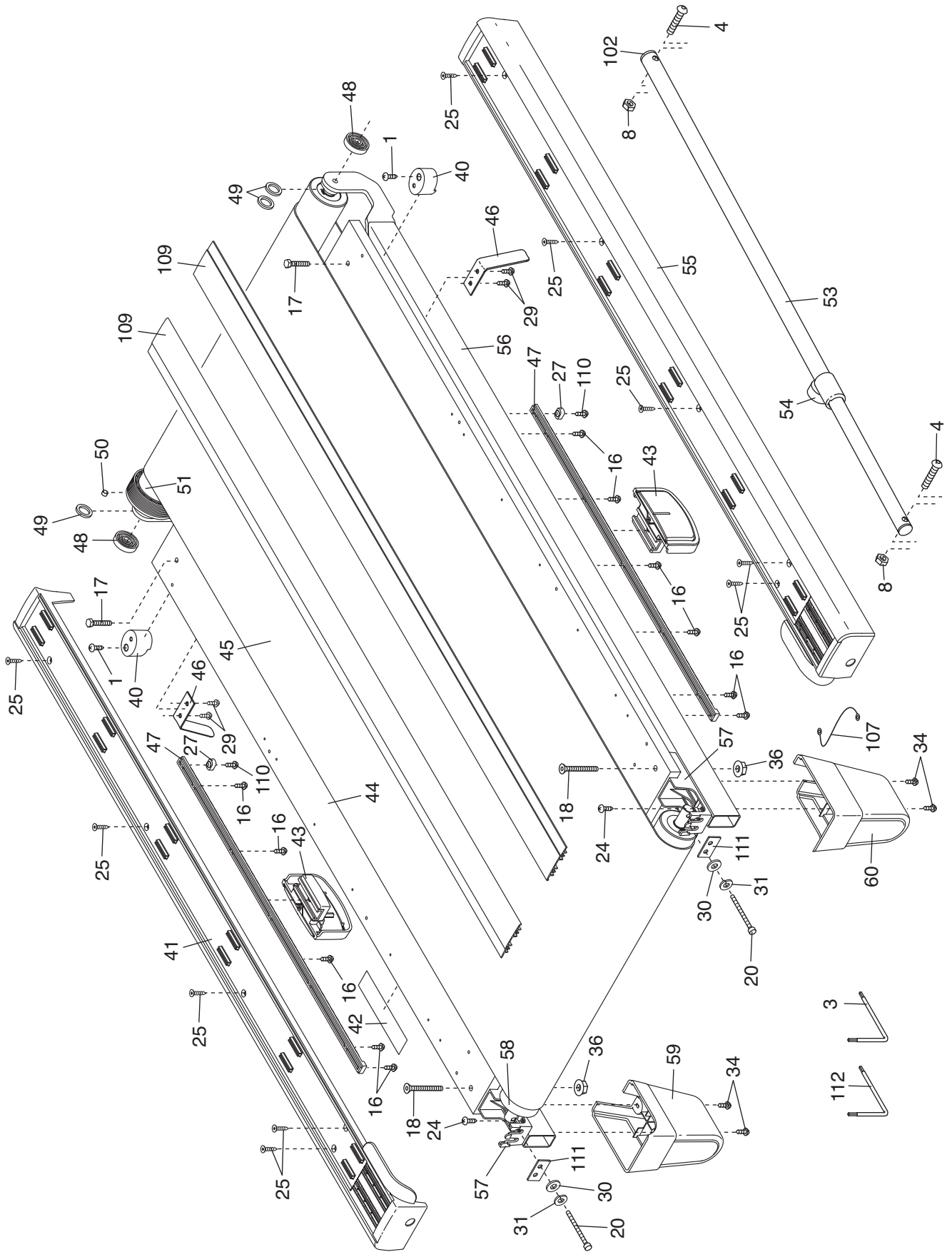


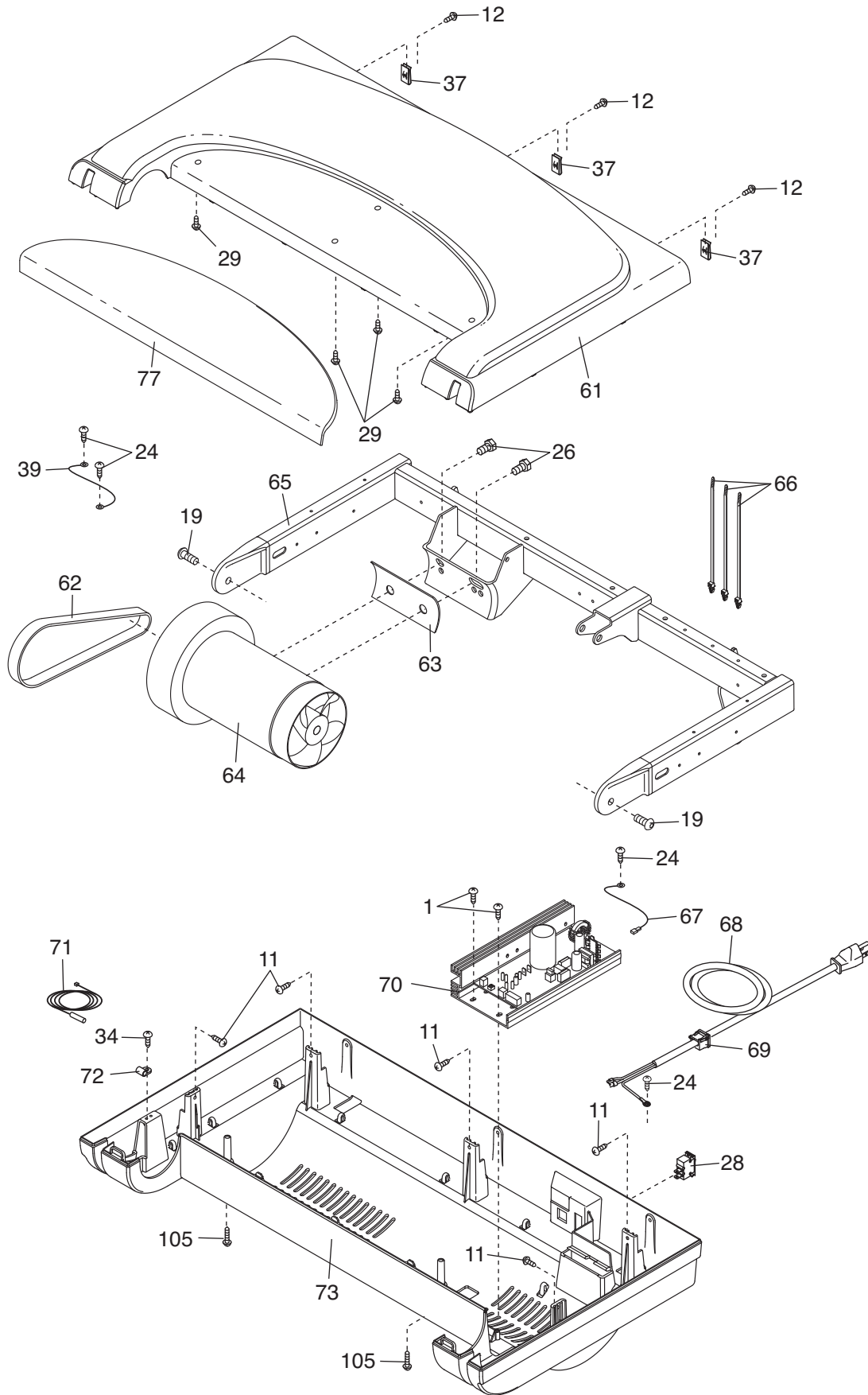
# EXPLODED DRAWING A—Model No. NTL09107.0

R0608A



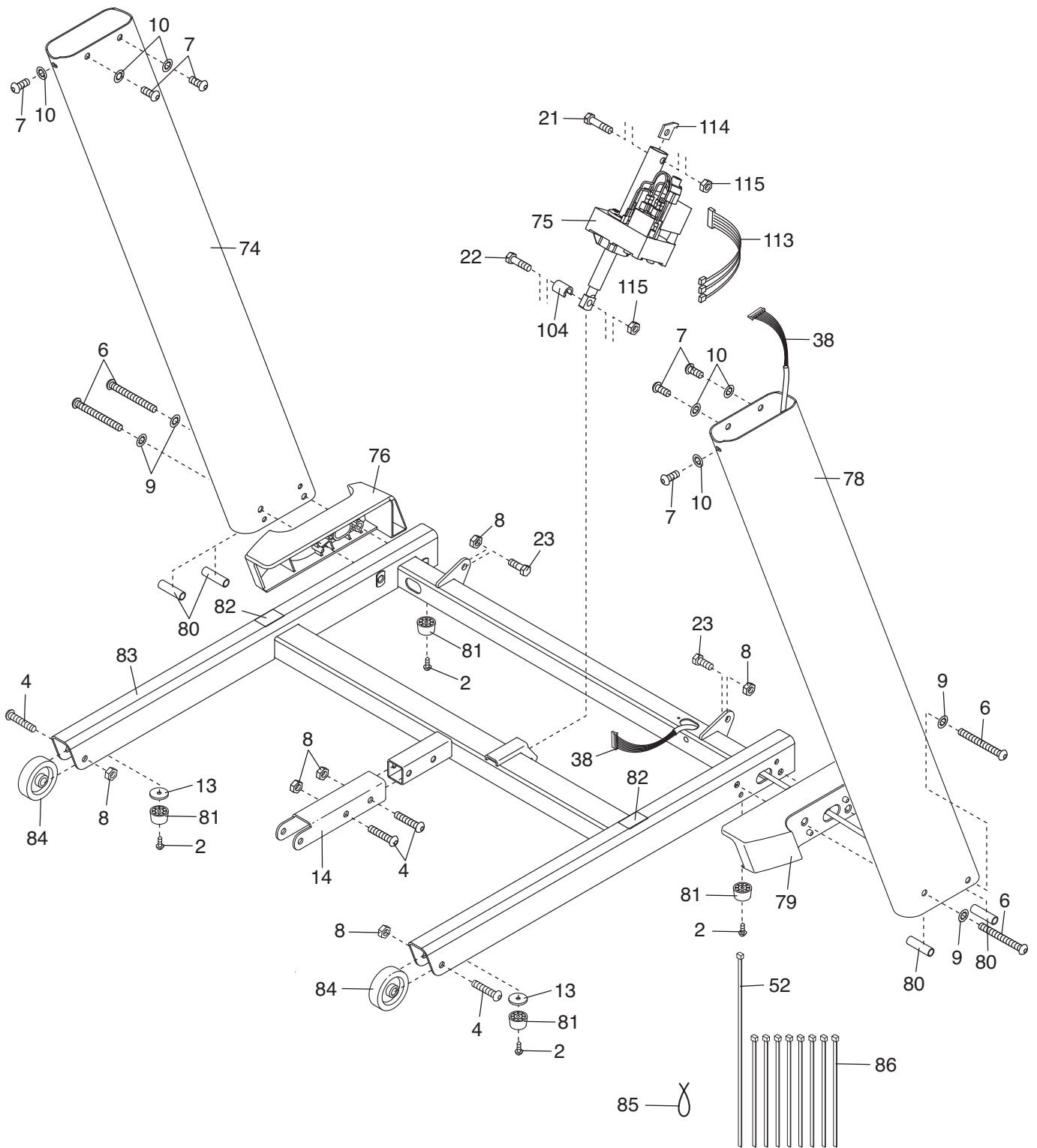
# EXPLODED DRAWING B—Model No. NTL09107.0

R0608A



# EXPLODED DRAWING C—Model No. NTL09107.0

R0608A



# EXPLODED DRAWING D—Model No. NTL09107.0

R0608A

