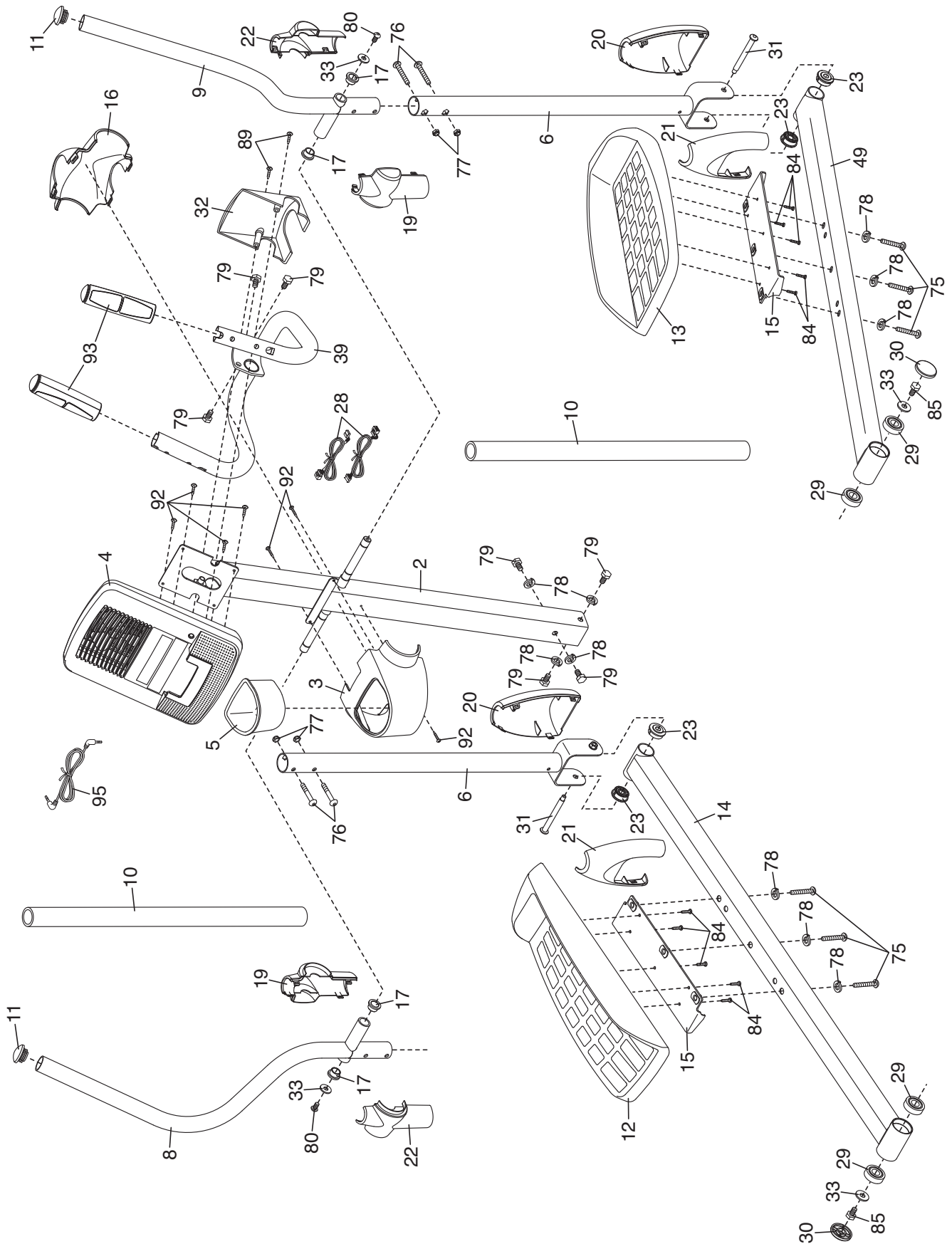


# EXPLODED DRAWING A—Model No. PFEL03009.0

R0709B



# EXPLODED DRAWING B—Model No. PFEL03009.0

R0709B

