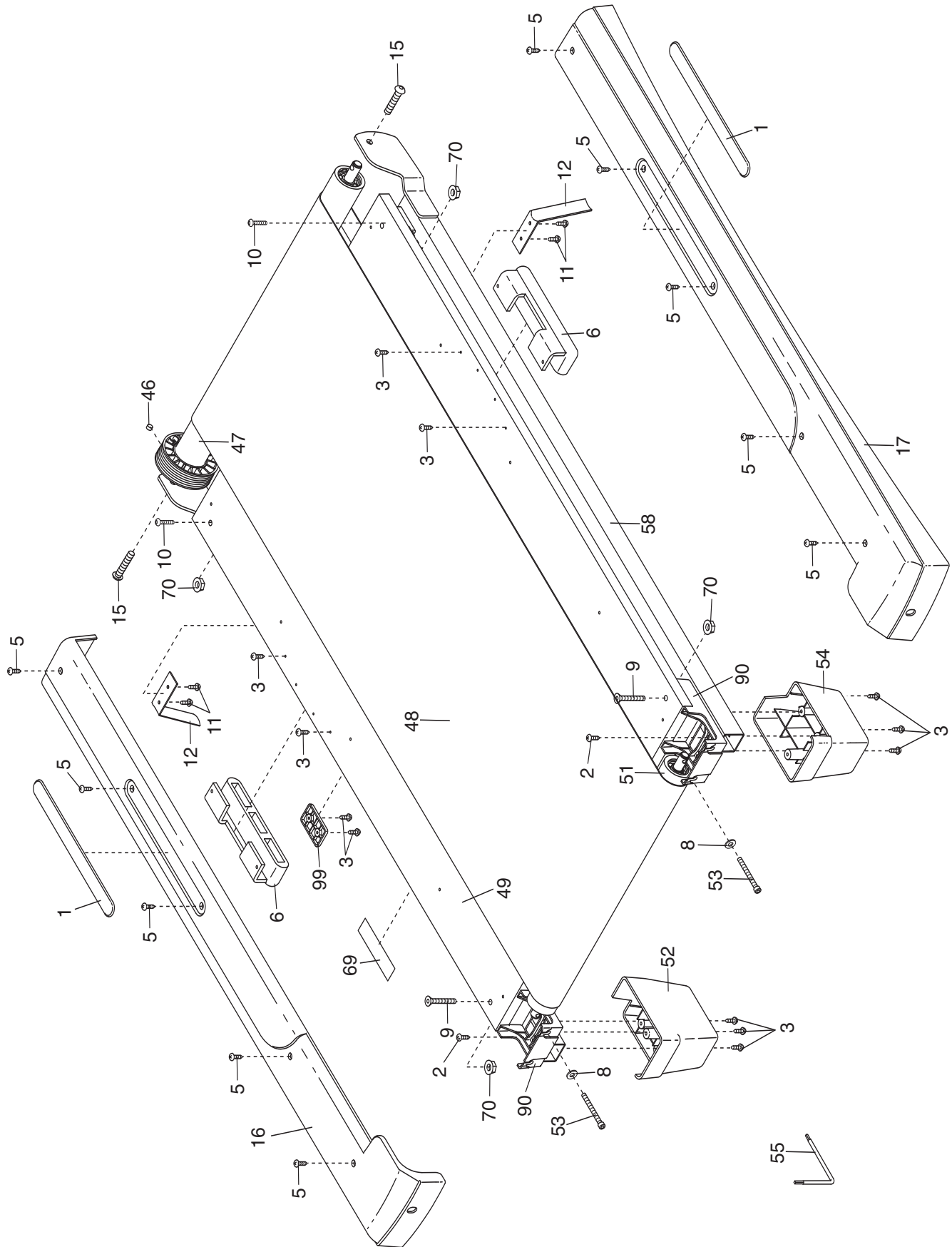


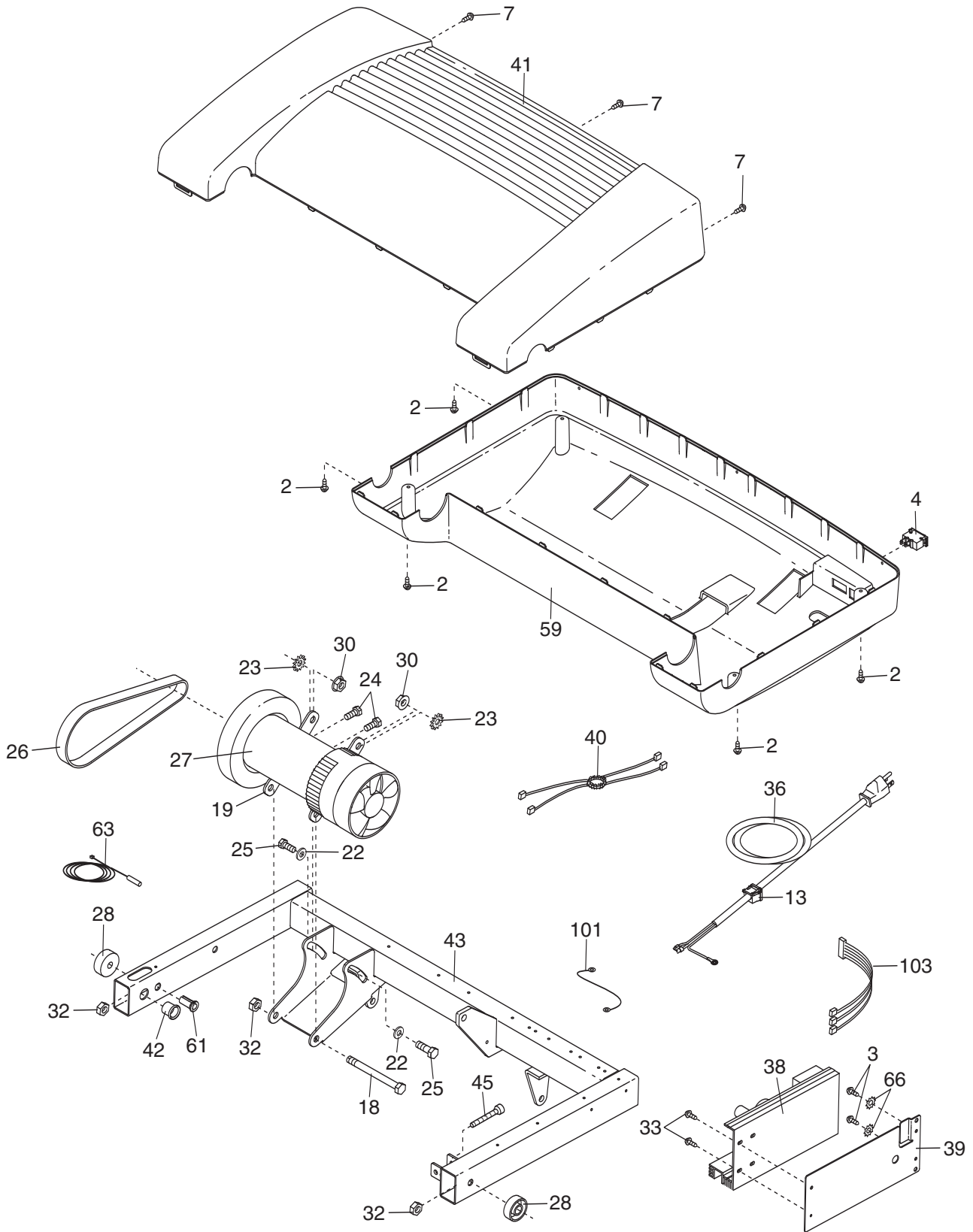
EXPLODED DRAWING A—Model No. PFTL59806.0

R0707A



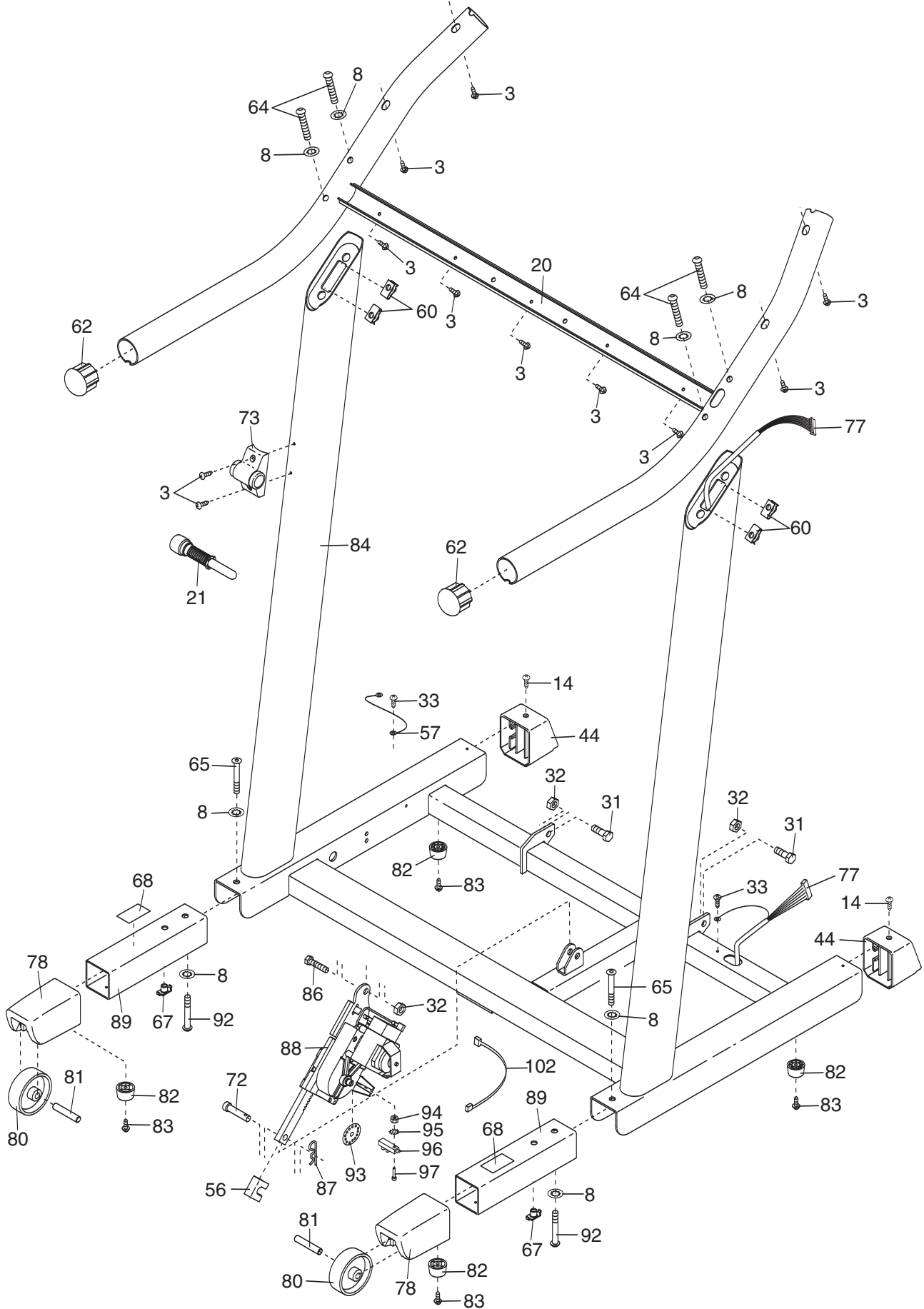
EXPLODED DRAWING B—Model No. PFTL59806.0

R0707A



EXPLODED DRAWING C—Model No. PFTL59806.0

R0707A



EXPLODED DRAWING D—Model No. PFTL59806.0

R0707A

