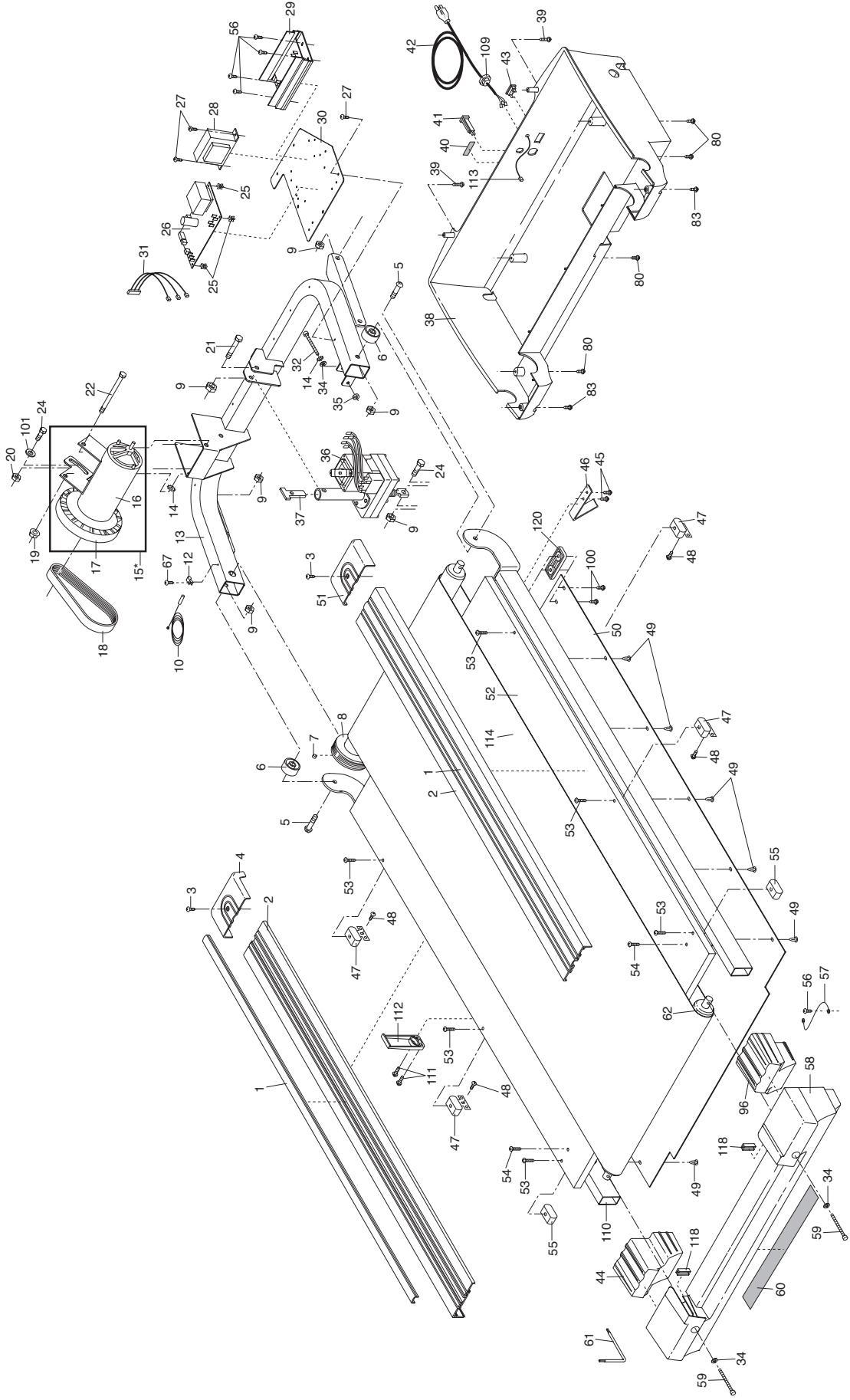


# EXPLODED DRAWING—Model No. PFTL79100

R1100A



# EXPLODED DRAWING — Model No. PFTL79100

R1100A

