

LeMond RevMaster Bikes
LM350000-5 and LM350000-6

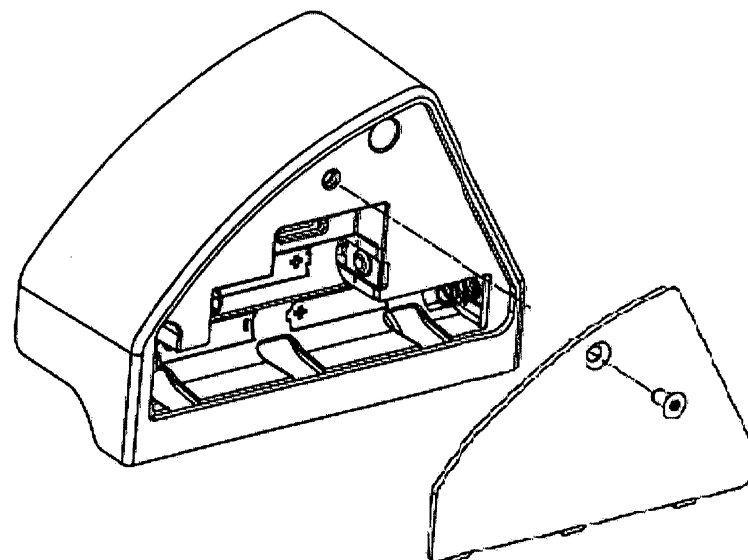
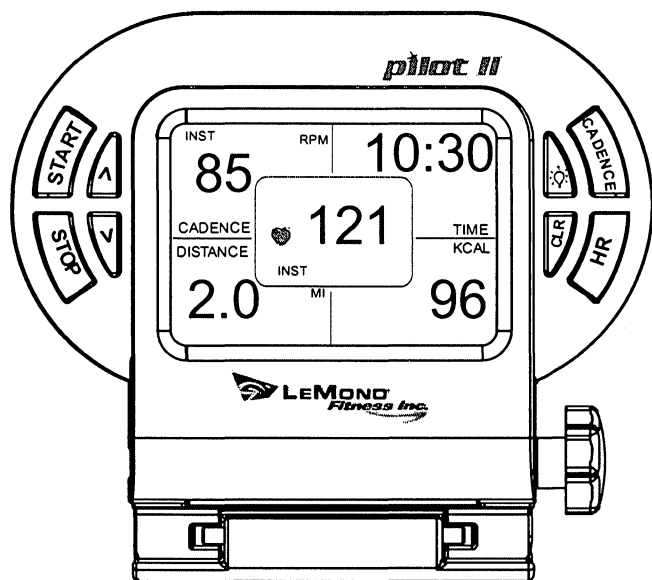
Customer Support Services
PARTS MANUALrev 18 Jun 2008

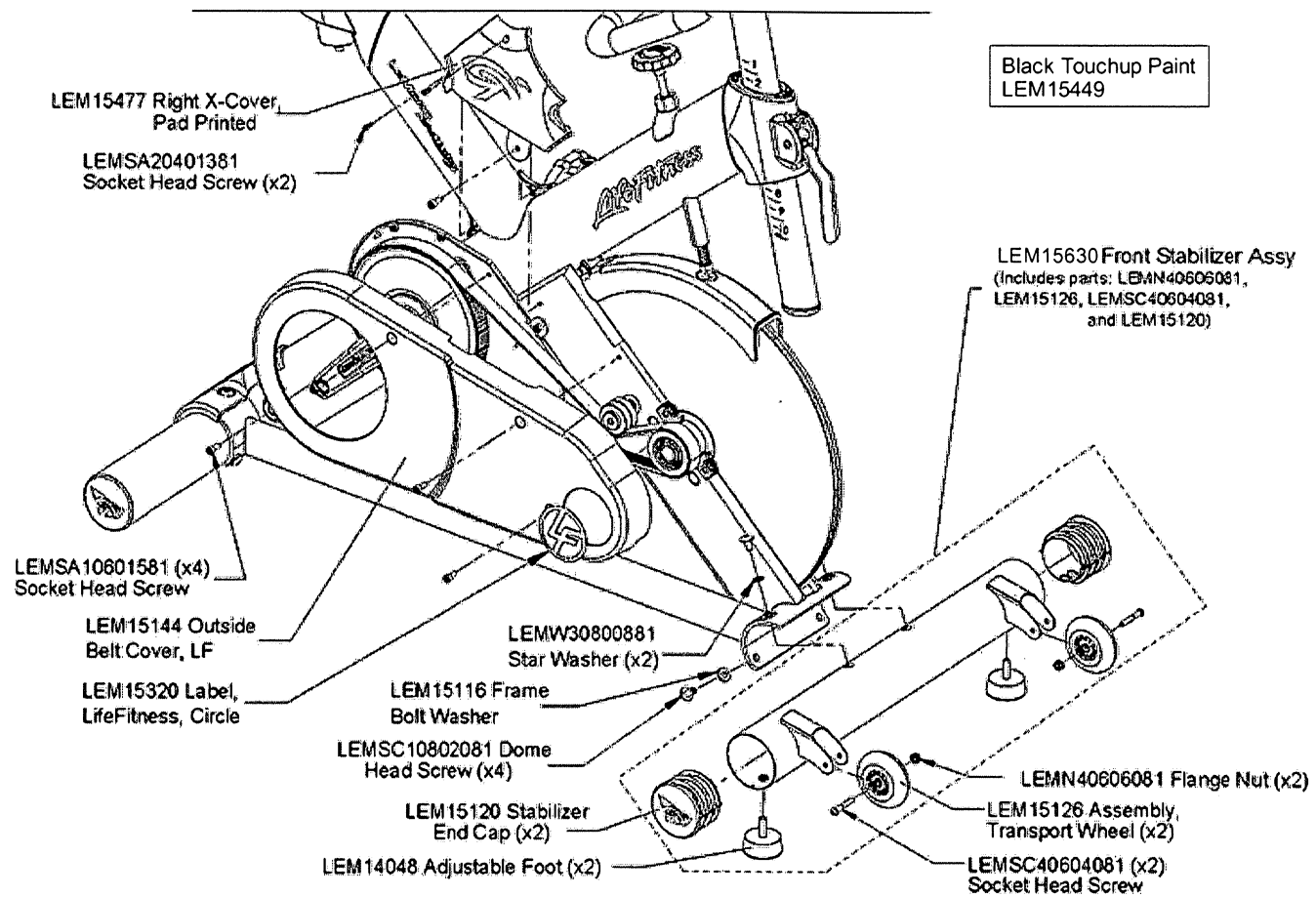
LeMond RevMaster Bikes
Table of Contents

LM350000-5
LM350000-6

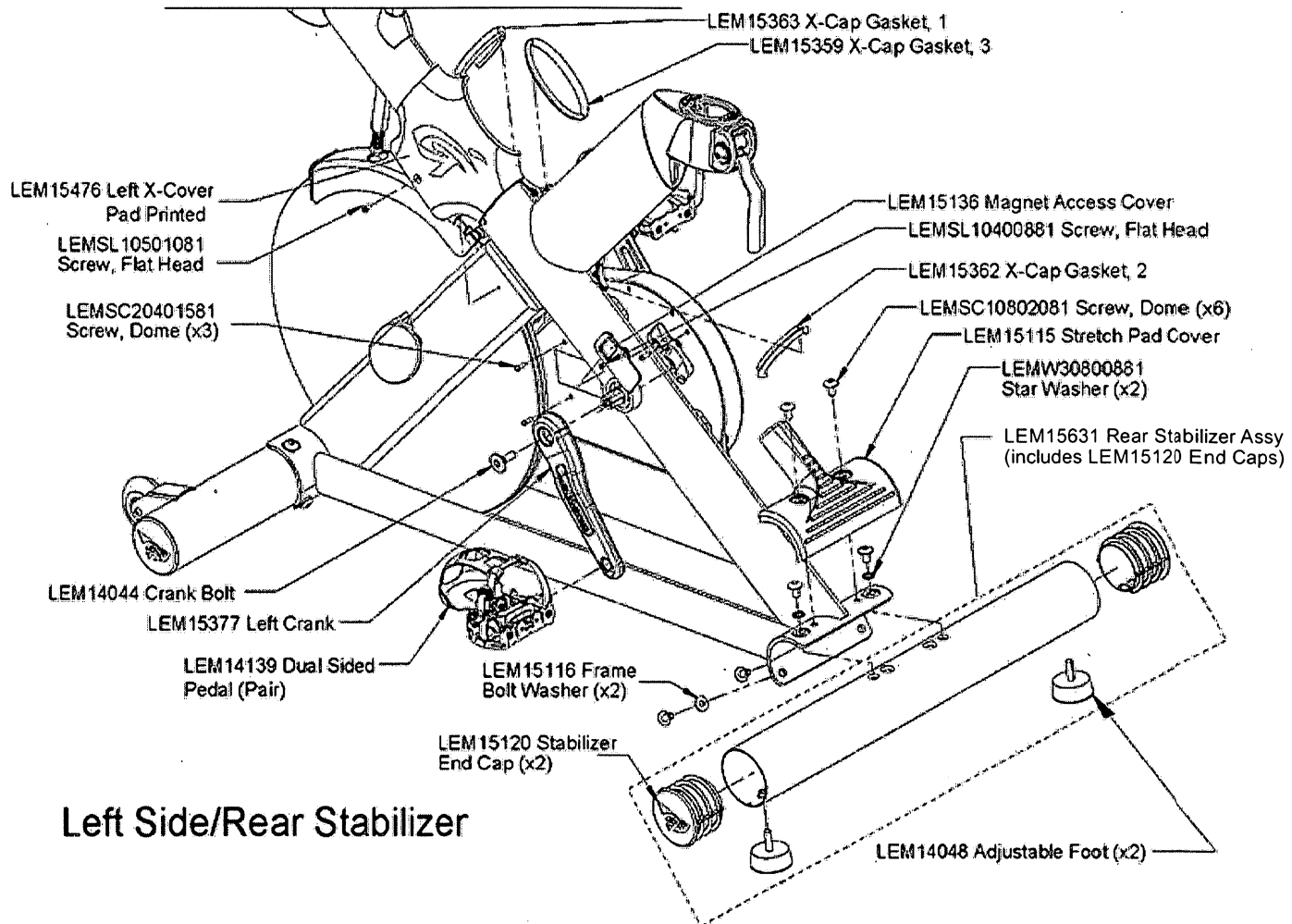
Wireless Cadence Meter 3
Front Stabilizer/Belt Cover 4
Left Side/Rear Stabilizer 5
HB Post Assembly 6
Handlebar Assembly 7
Seat Post Assembly 8
Fender Assembly 9
Flywheel Assembly..... 10
Drive System..... 11

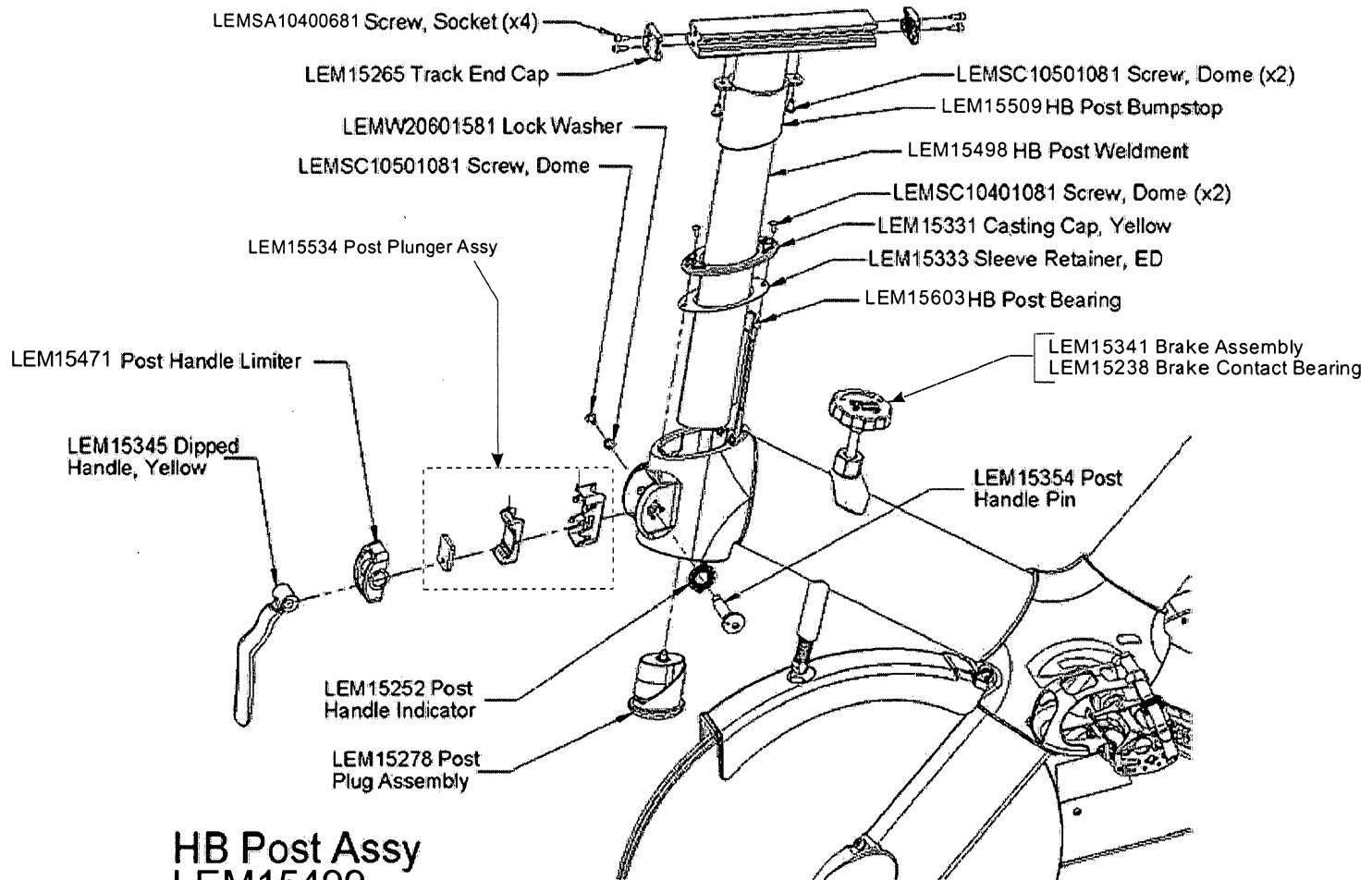
Wireless Cadence Meter
LEMOND PILOT METER
LF15350-1





Front Stabilizer/Belt Cover Exploded View

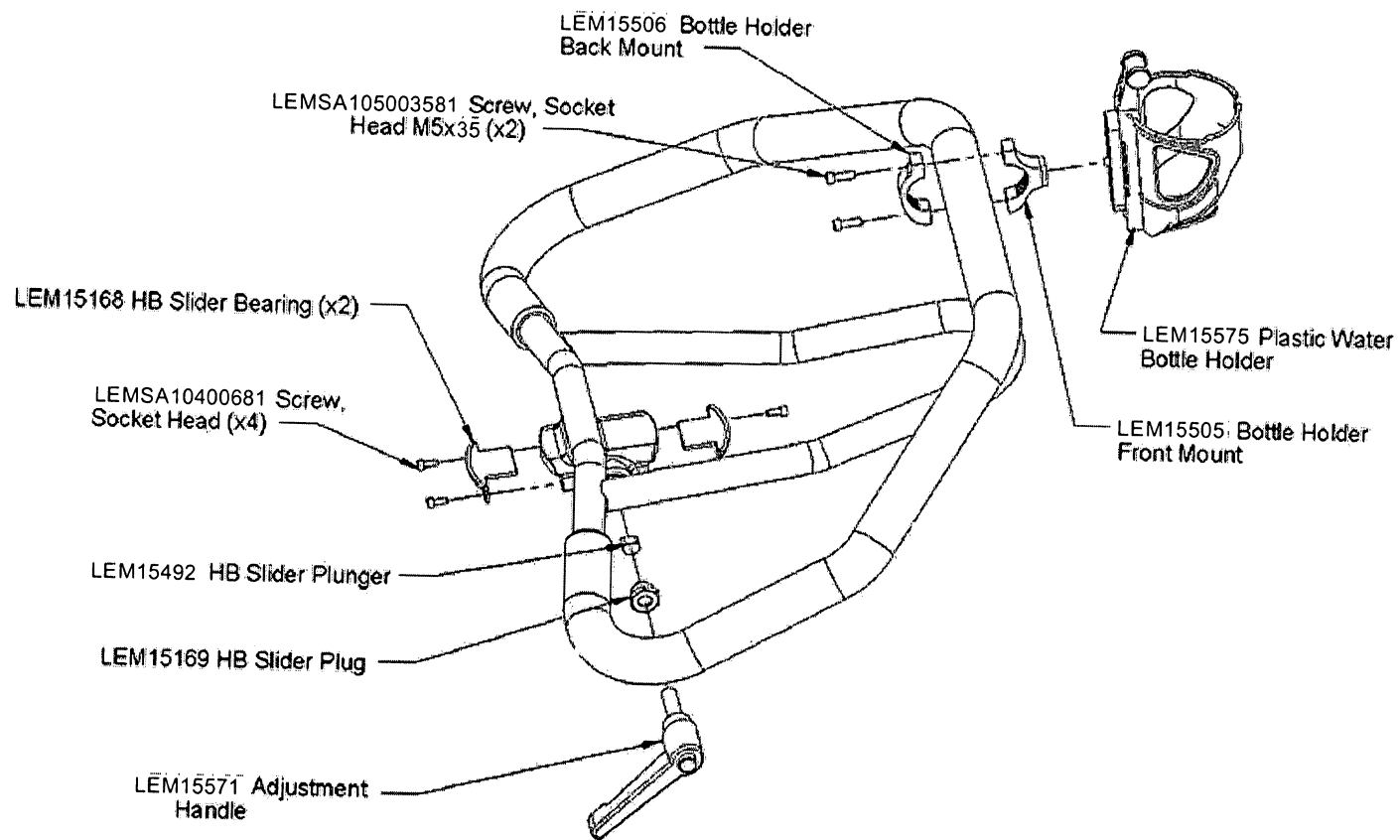




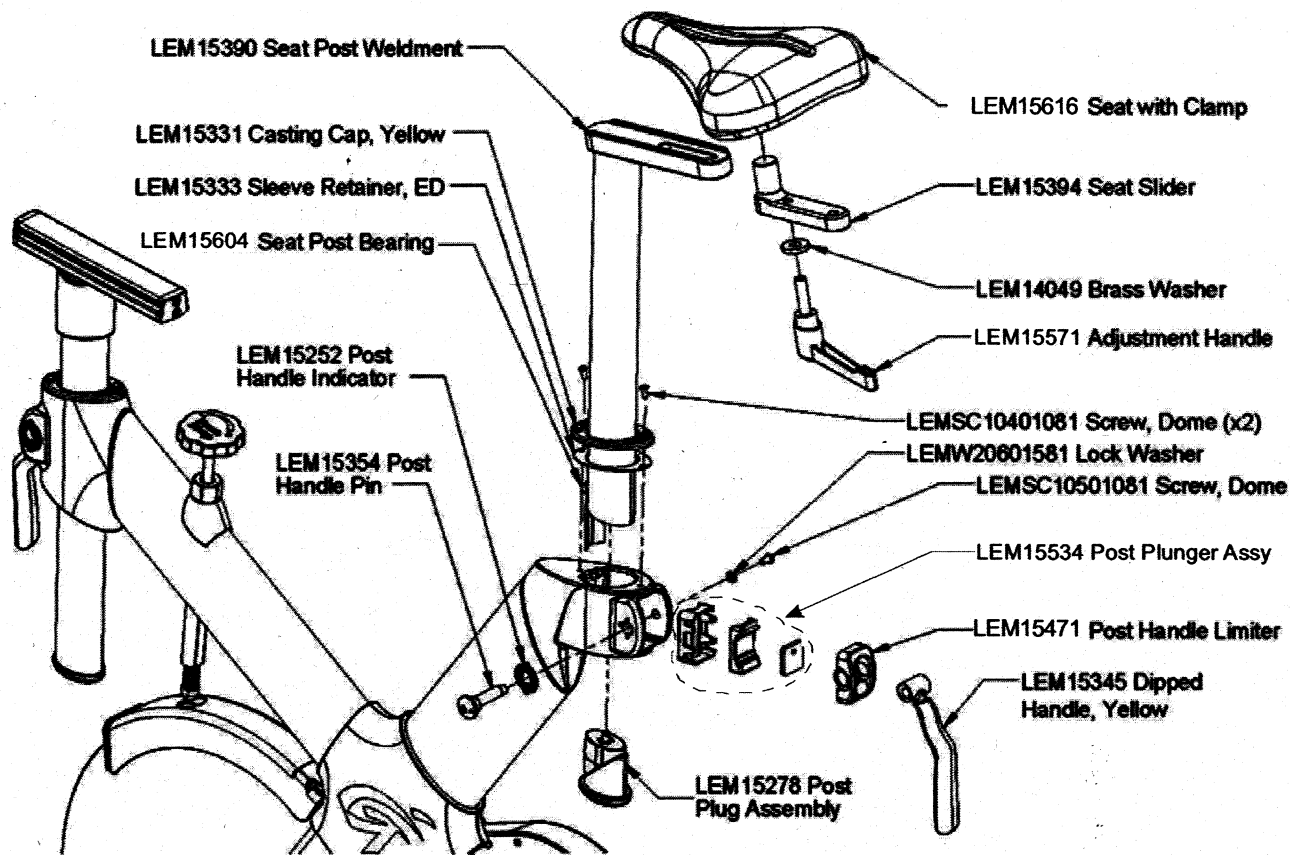
HB Post Assy LEM15499

includes:

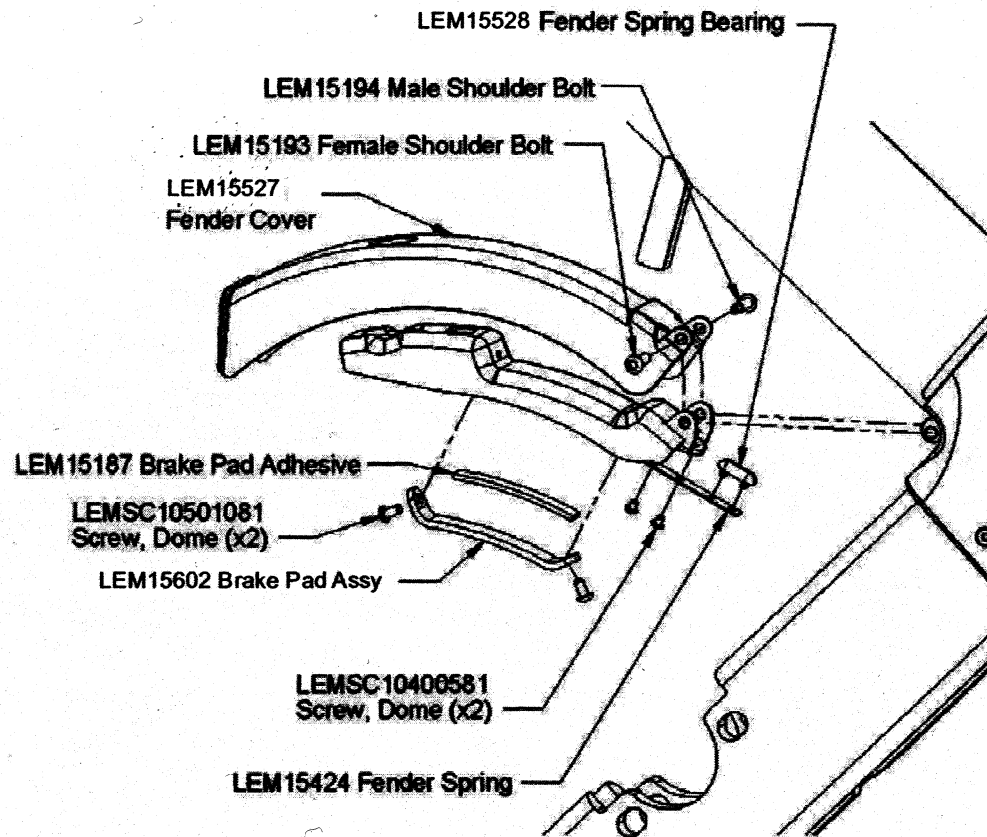
- LEM15498 HB Post Weldment
- LEM15509 HB Post Bumpstop
- LEM15265 Track End Cap
- LEMSA10400681 Socket Screw



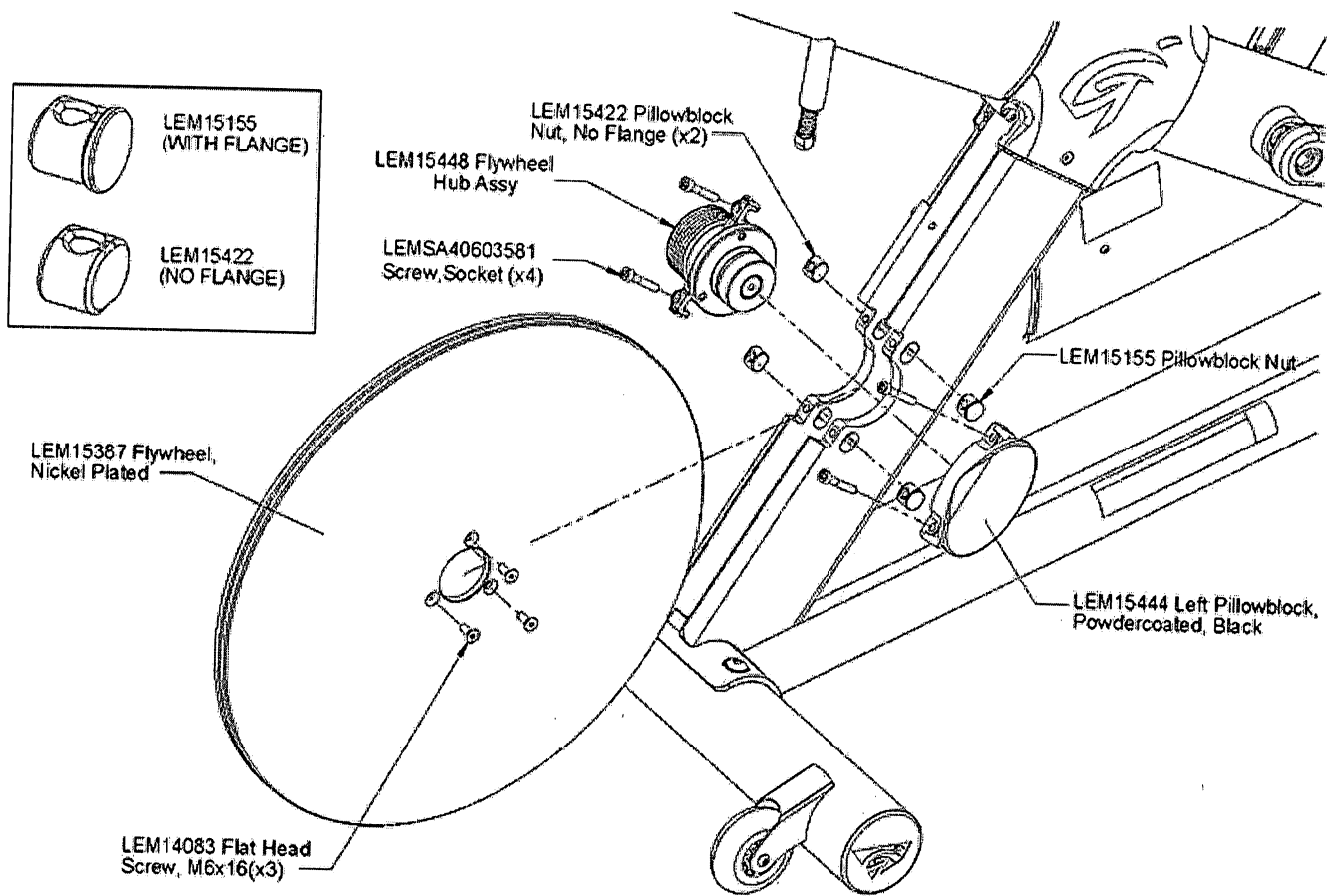
LEM15615 Handlebar Assembly



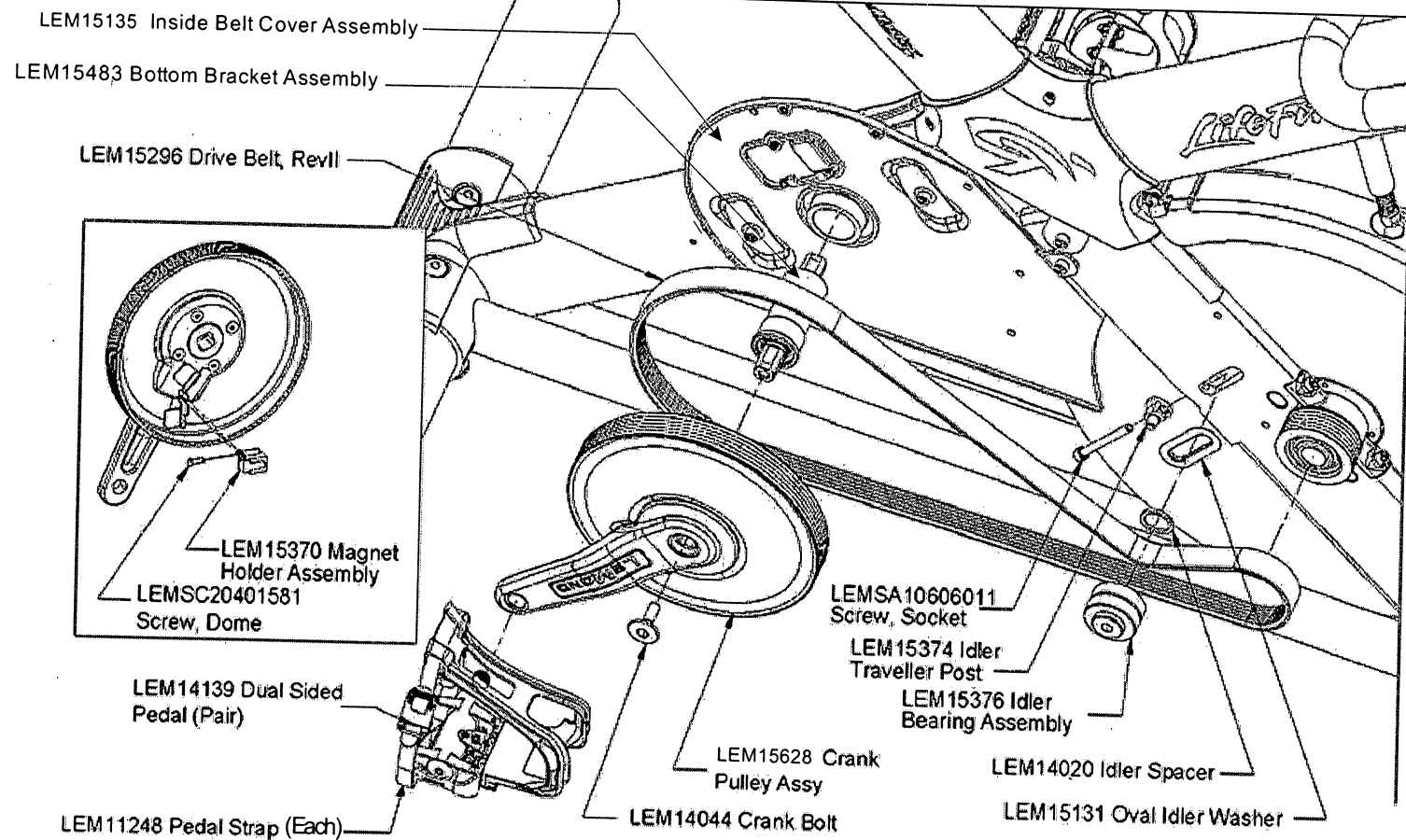
Seat Post Assembly



Fender Assembly



Flywheel Assembly



Drive System