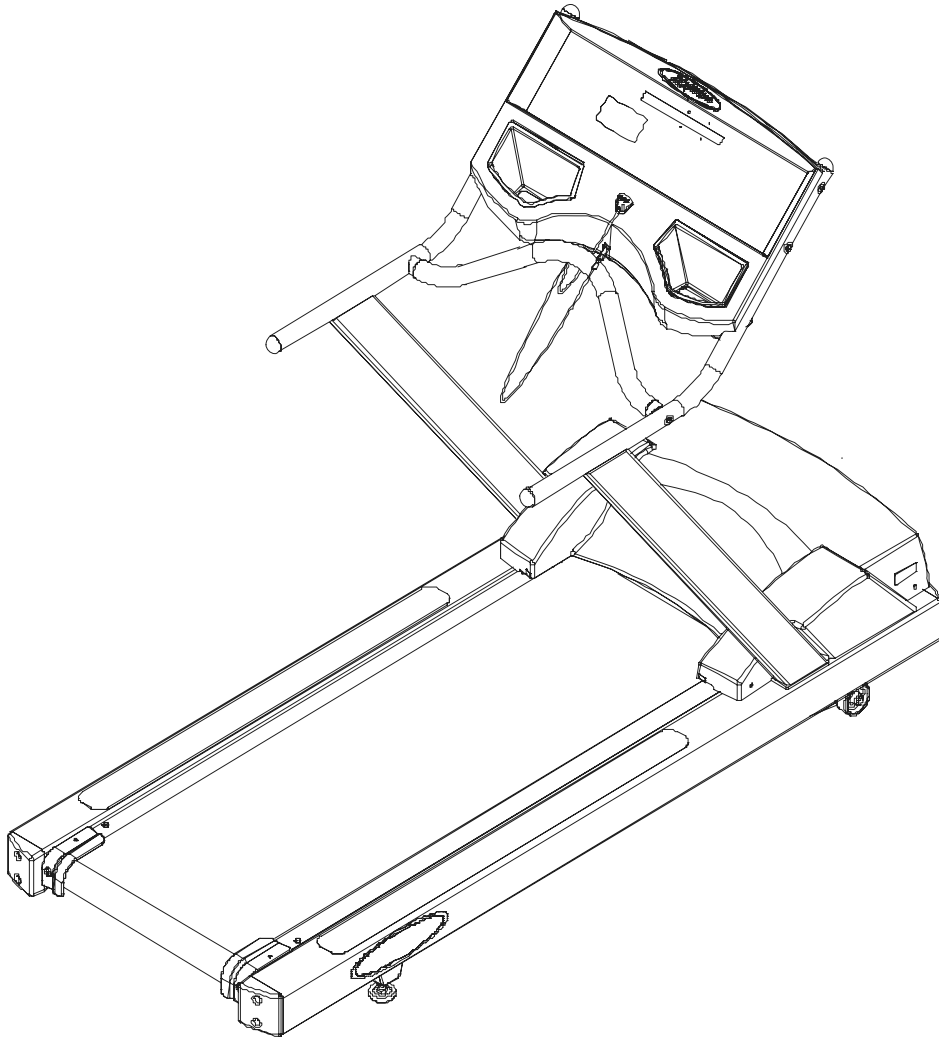


LifeFitness

SILVER BULLET 90T-XXXX-01 TREADMILL



Customer Support Services
PARTS MANUAL revised 12 Apr 2012

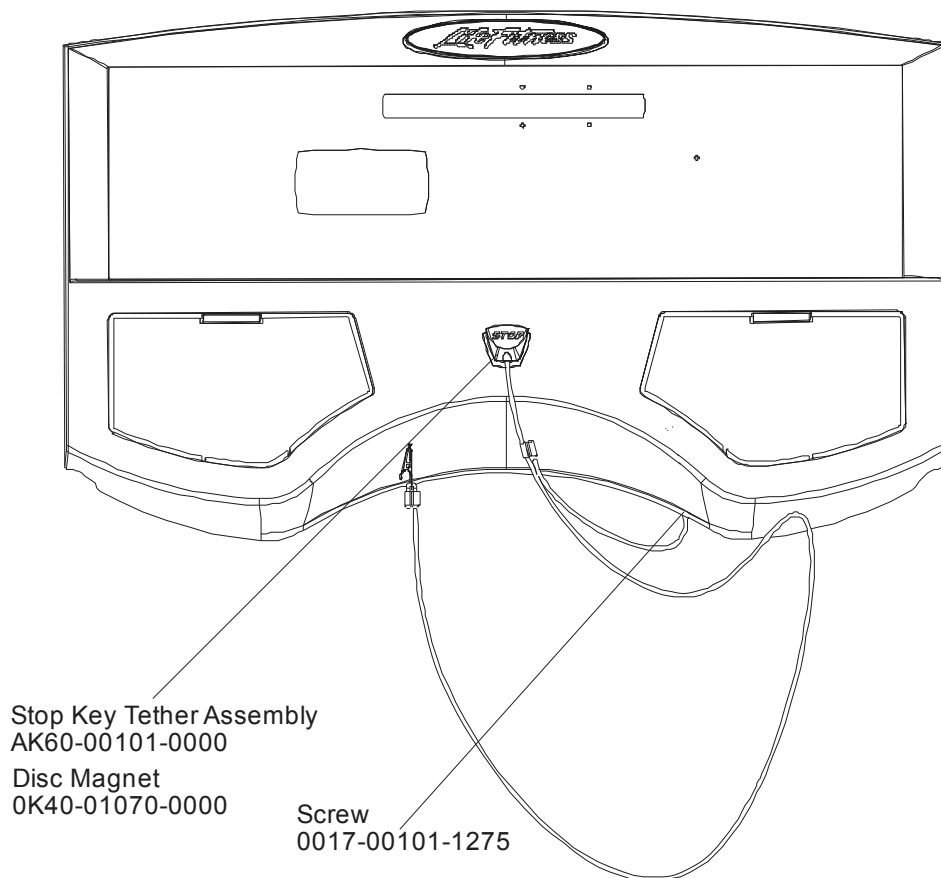
Miscellaneous	3
Console Assembly	4
Motor Cover, Leveler and End Caps	7
Ergo Bar and Upright Assembly	8
Accessory Trays.....	9
Belt, Deck, and Rollers	10
LifeSprings and Anti-static Tinsel.....	11
Lift Frame Assembly	12
Lift Motor and Home Switch.....	13
Drive Motor Assembly.....	14
Wax Motor, Wax Bag, Wax Nozzle, and Bracket	15
Speed Sensor and Sensor Wheel Assembly	16
Rear Roller Guards	17
DC Controller and On/Off Switch.....	18
Line Cord and Line Filter.....	19
Cables.....	20

Language	Operation Manual*	Assembly Instructions*	Instruction Bag Assembly	Service Manual
ENGLISH	M051-00K60-A028	M051-00K60-B024	N/A	M051-00K60-A023
FRENCH	M051-00K60-A029	M051-00K60-B025	N/A	
PORTUGUESE				
SPANISH				
DUTCH	M051-00K60-A030	M051-00K60-B026	N/A	
GERMAN				
ITALIAN				
JAPANESE	M051-00K60-A031	M051-00K60-A027	N/A	

*If available, operation manuals and assembly instructions are in PDF form only

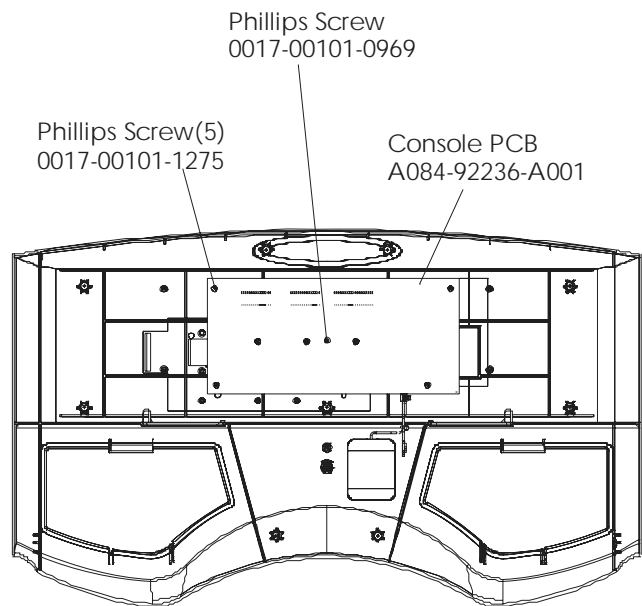
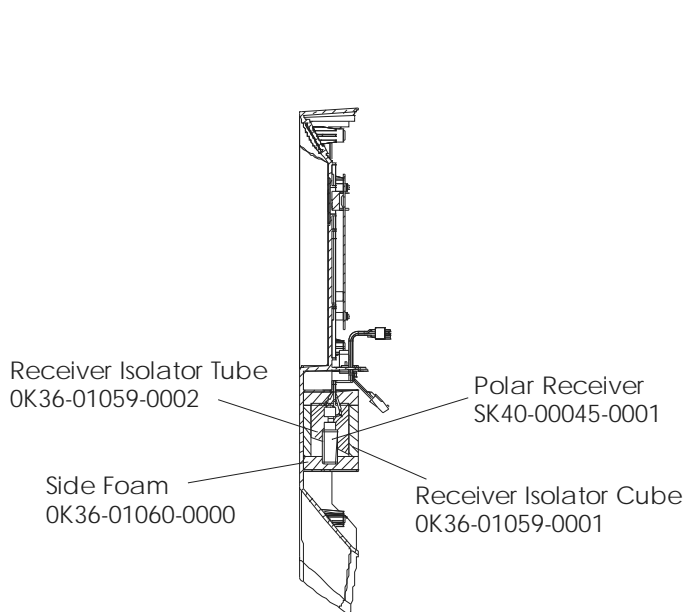
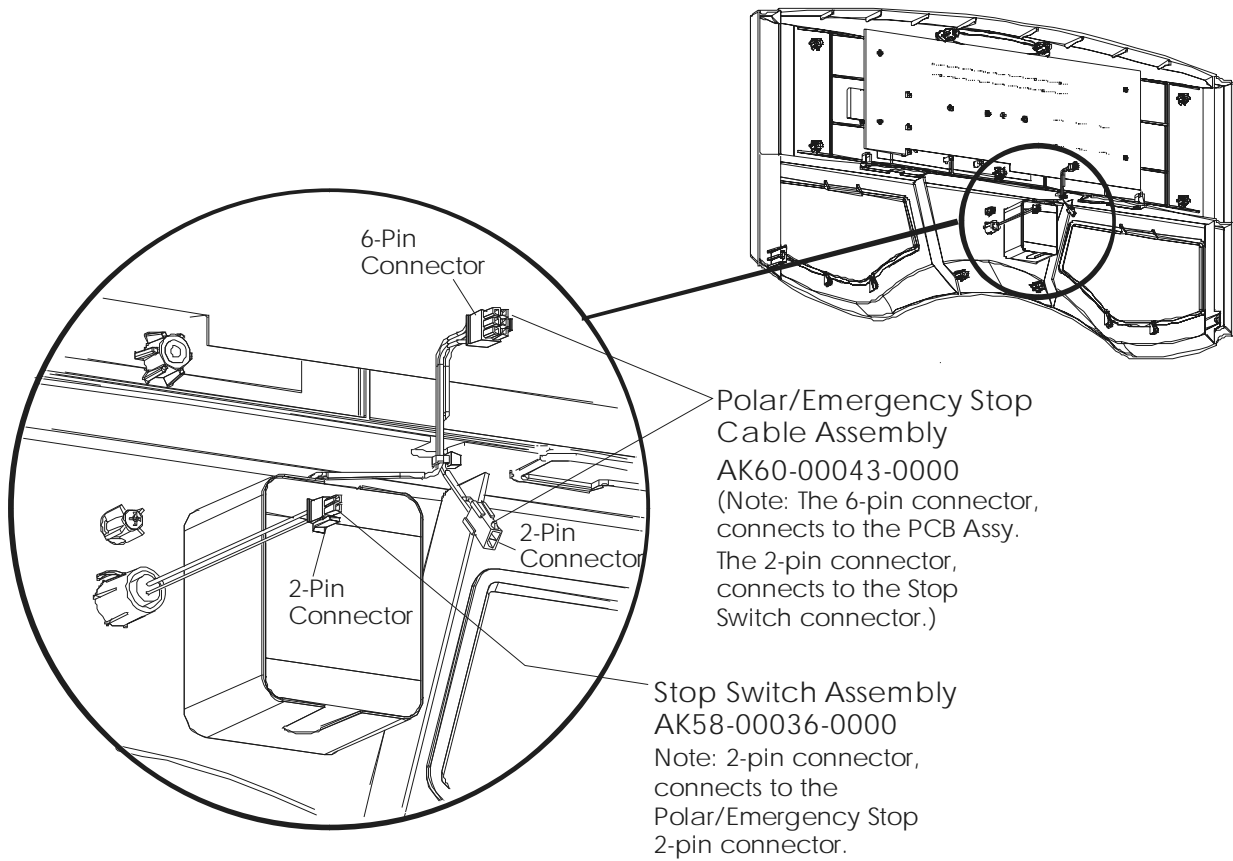
AK60-00054-0002		HDWR-BAG ASSY: MFG; 90T
Item	Description	Qty
OK60-01098-0001	END-CAP: SPHERE	4
0017-00042-1151	RIVET: PLASTIC; REMOVABLE	5
0017-00101-1256	3/8 -16X80 UNS HEX BLT G5 ZN B	4
0017-00101-1767	1/4 -20X28 TRX BUT L CS G8 ZS B	4
0017-00101-1768	1/4 -20X32 TRX BUT L CS G8 ZS B	2
0017-00101-1776	VMI 10-16X 8 PHL PAN B ST ZB B	10
0017-00103-0188	NUT 3/8 -16 LOCK-FLNGE D ST CD B	4
0017-00104-0464	WSH 406-.734-064 FL-D ST ZS B	4

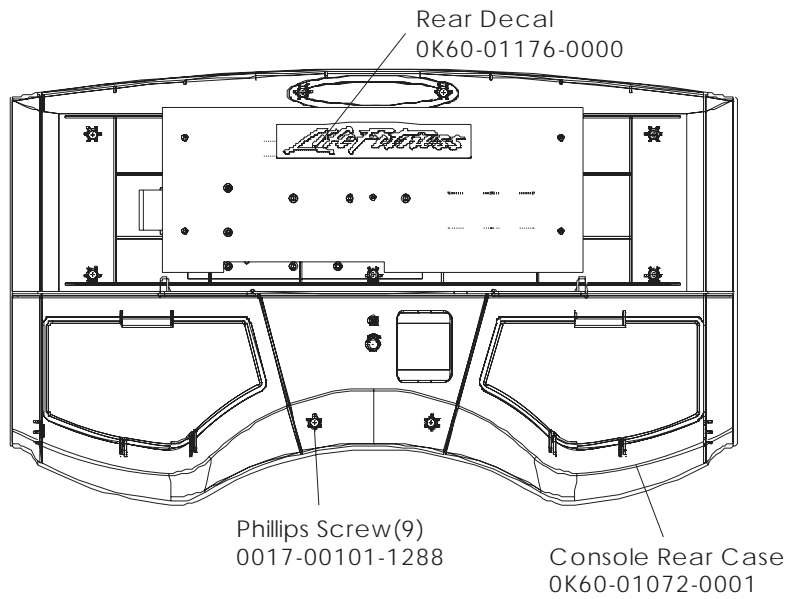
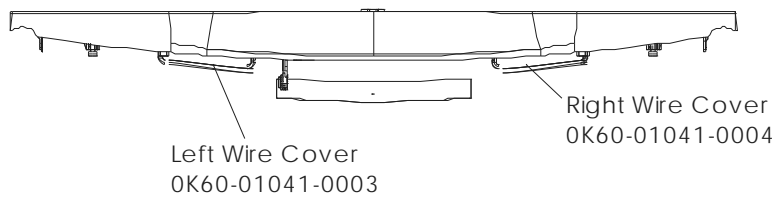
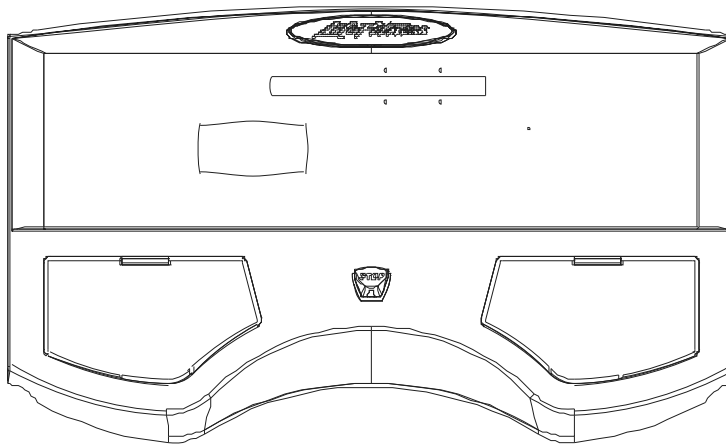
Touch up Paint		
Item	Description	Qty
0017-00008-0196	PAINT: SILVER BULLET; .6OZ. BTL. B	1
0017-00008-0197	PAINT: SILVER BULLET; 4.5OZ. CAN. B	1
0017-00008-0198	PAINT: STEALTH GREY; .6OZ. BTL. B	1
0017-00008-0199	PAINT: STEALTH GREY; 4.5OZ. CAN. B	1

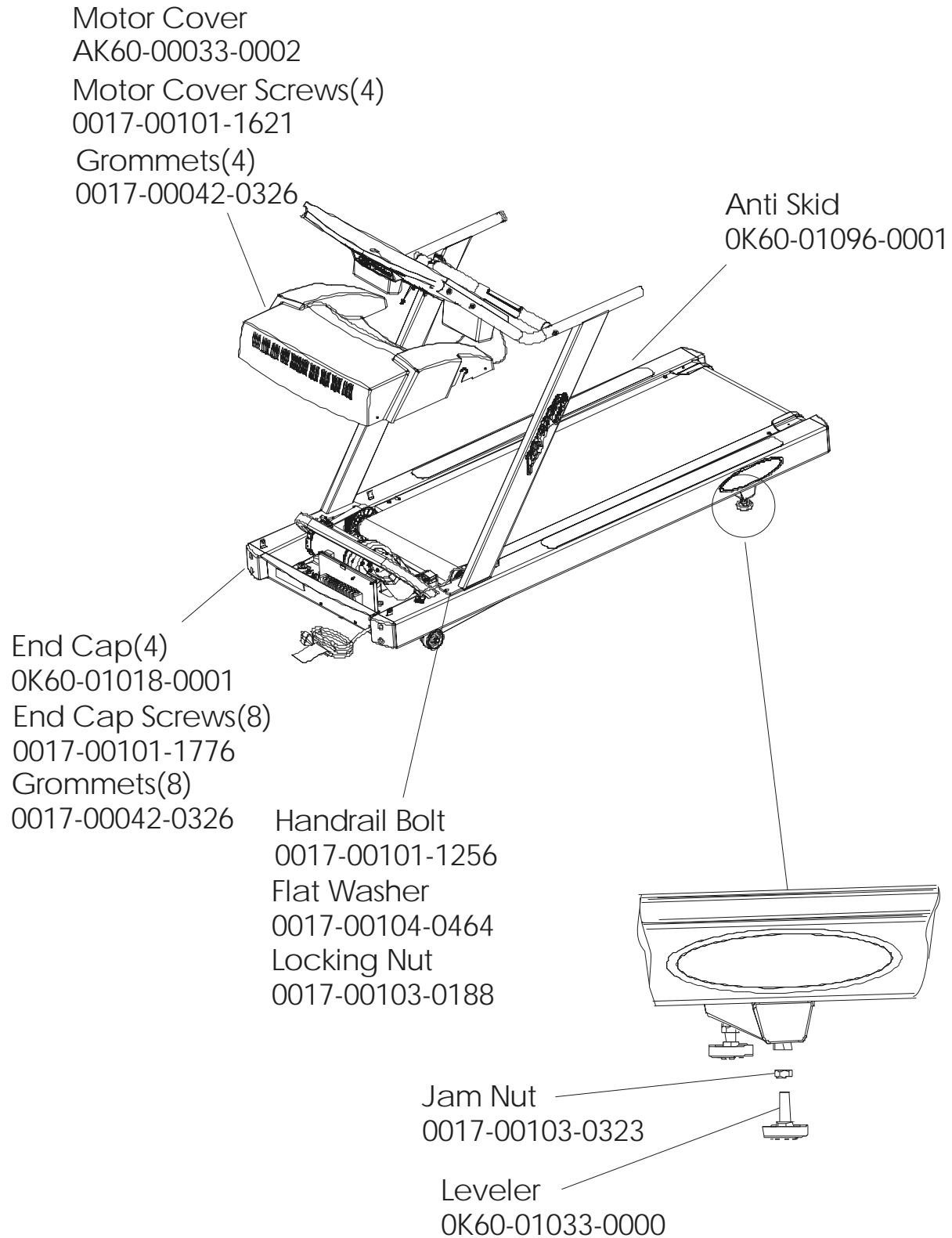


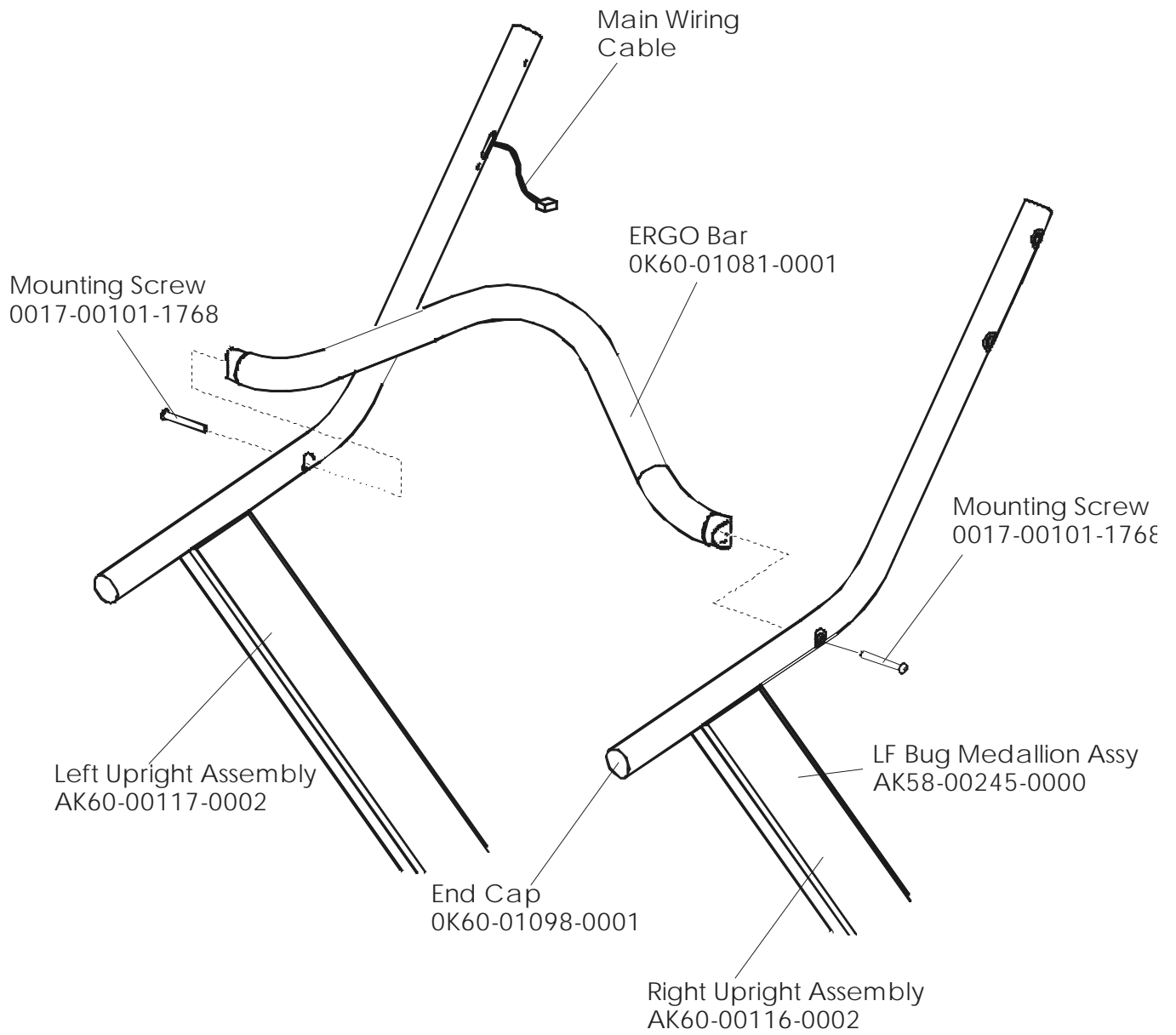
Language	Console*	Overlay/Bezel Assembly*
ENG+MET	AK60-00112-0001	AK60-00109-0001
GERMAN	AK60-00112-0003	AK60-00109-0003
SPANISH	AK60-00112-0004	AK60-00109-0004
JAPANESE	AK60-00112-0006	AK60-00109-0006
FRENCH	AK60-00112-0007	AK60-00109-0007
ITALIAN	AK60-00112-0008	AK60-00109-0008
DUTCH	AK60-00112-0009	AK60-00109-0009
PORTUGUESE	AK60-00112-0010	AK60-00109-0010

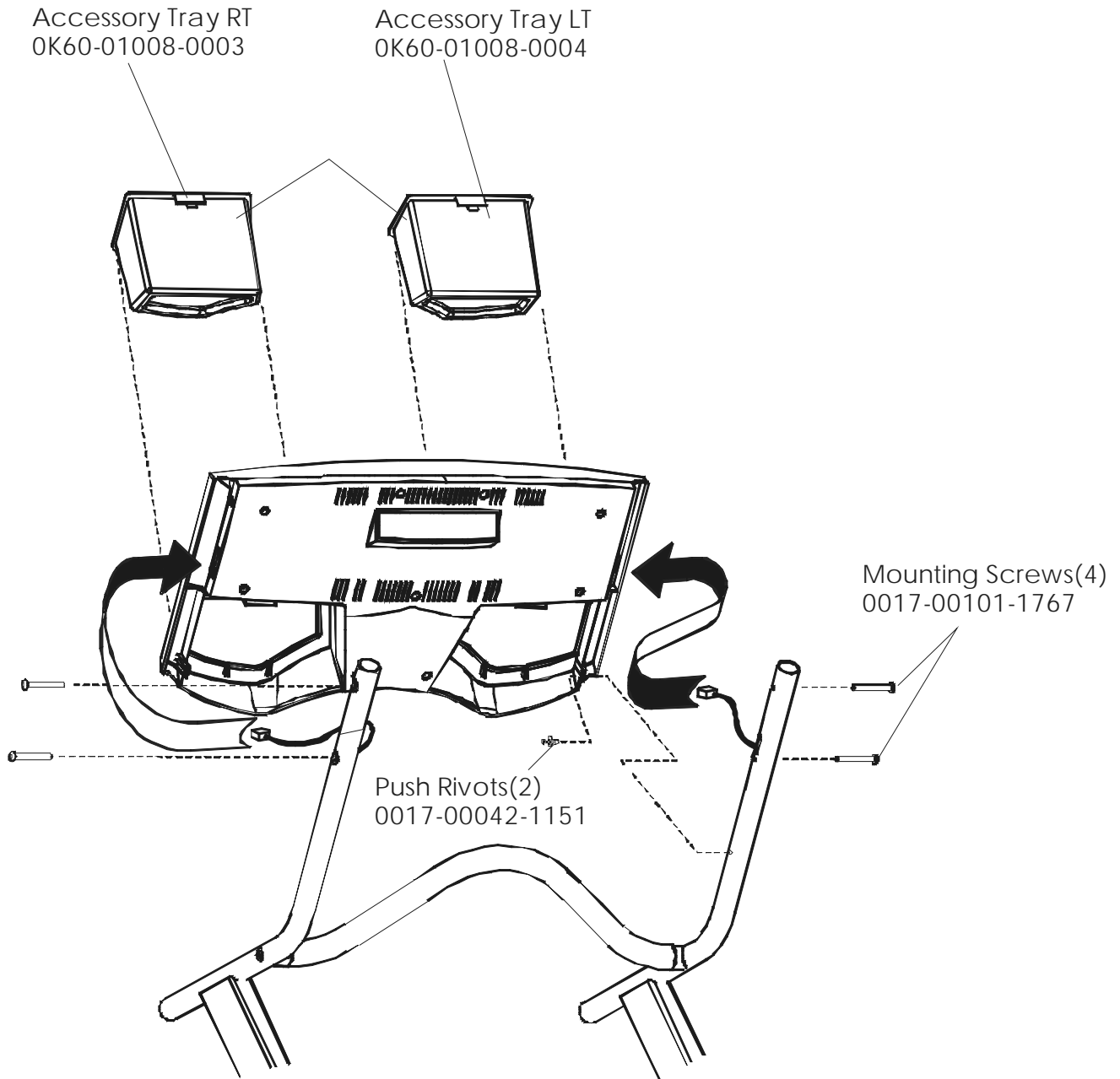
*Some consoles and overlay/bezel assemblies may be unavailable

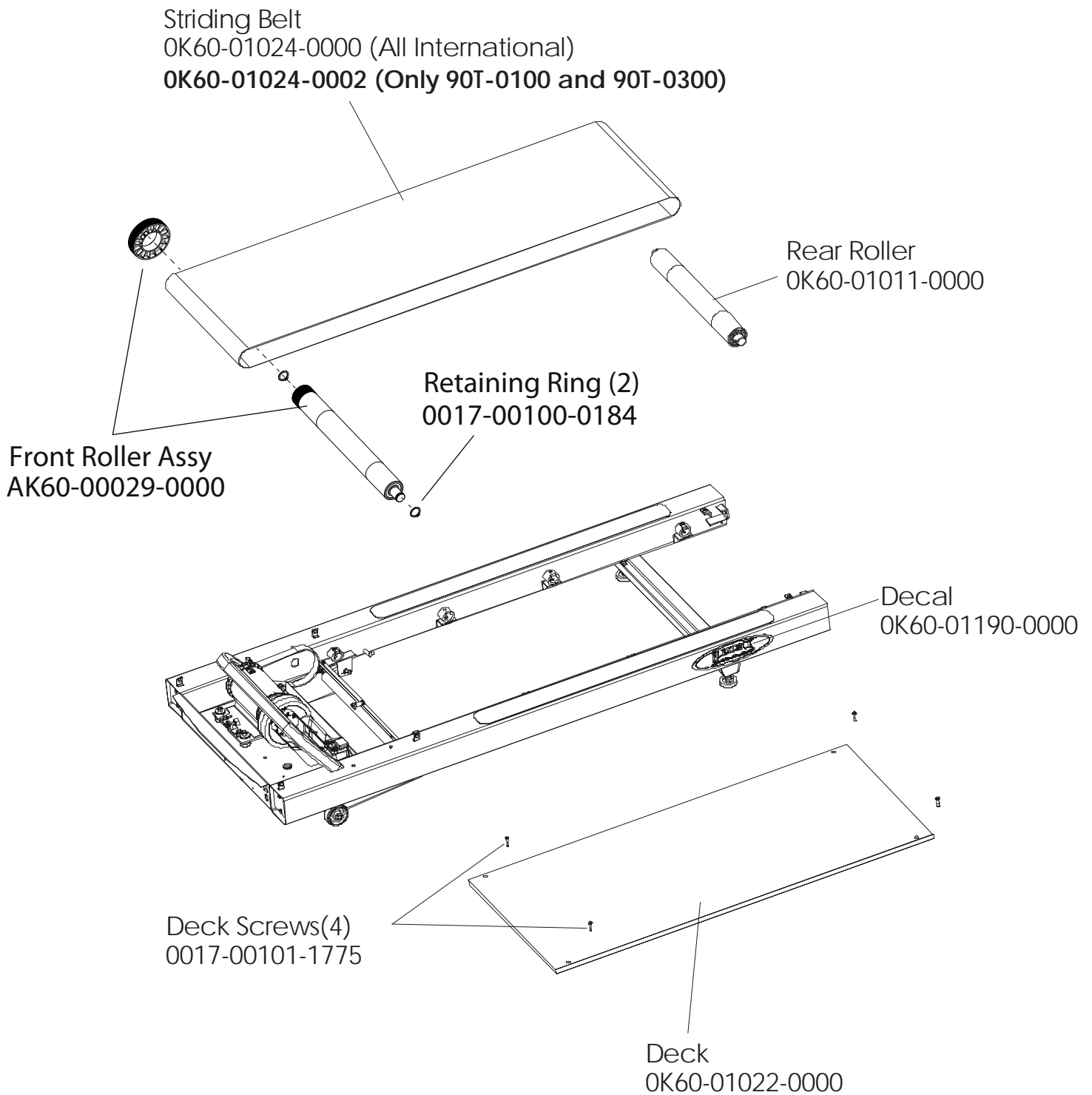


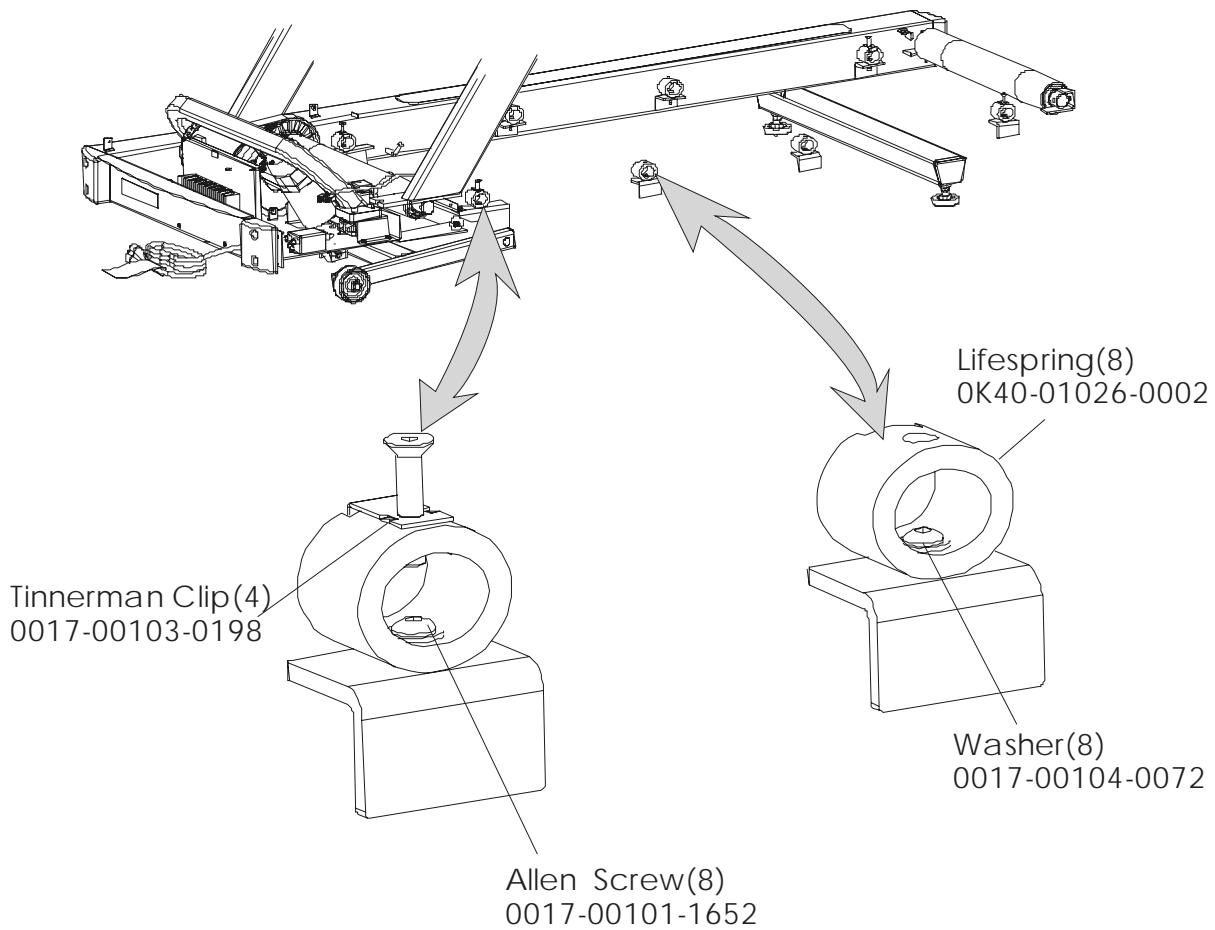
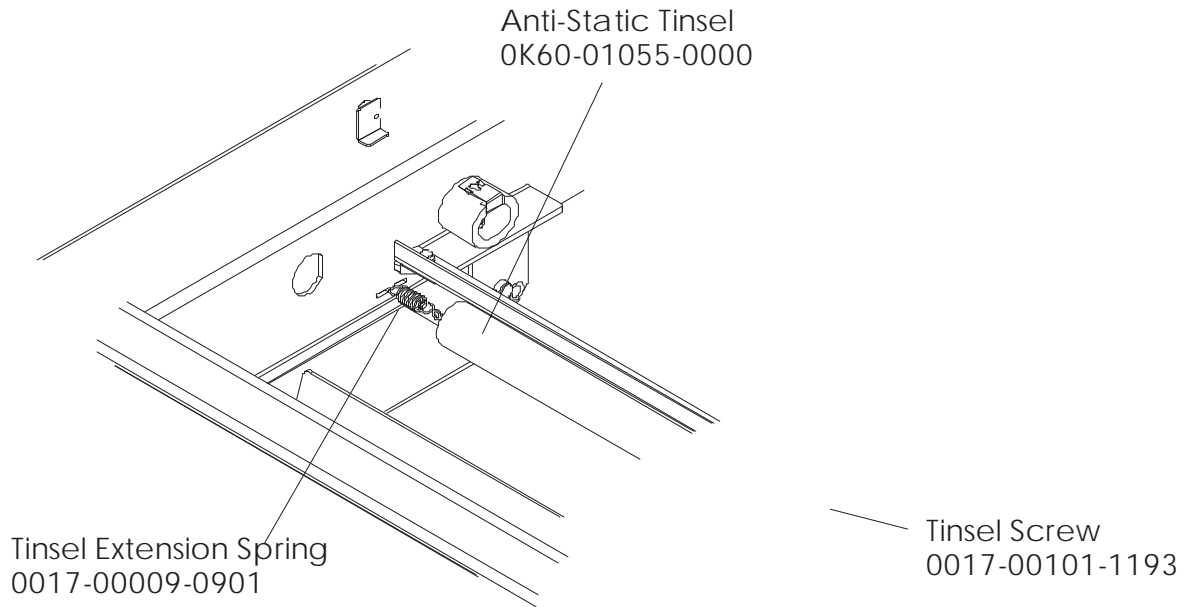


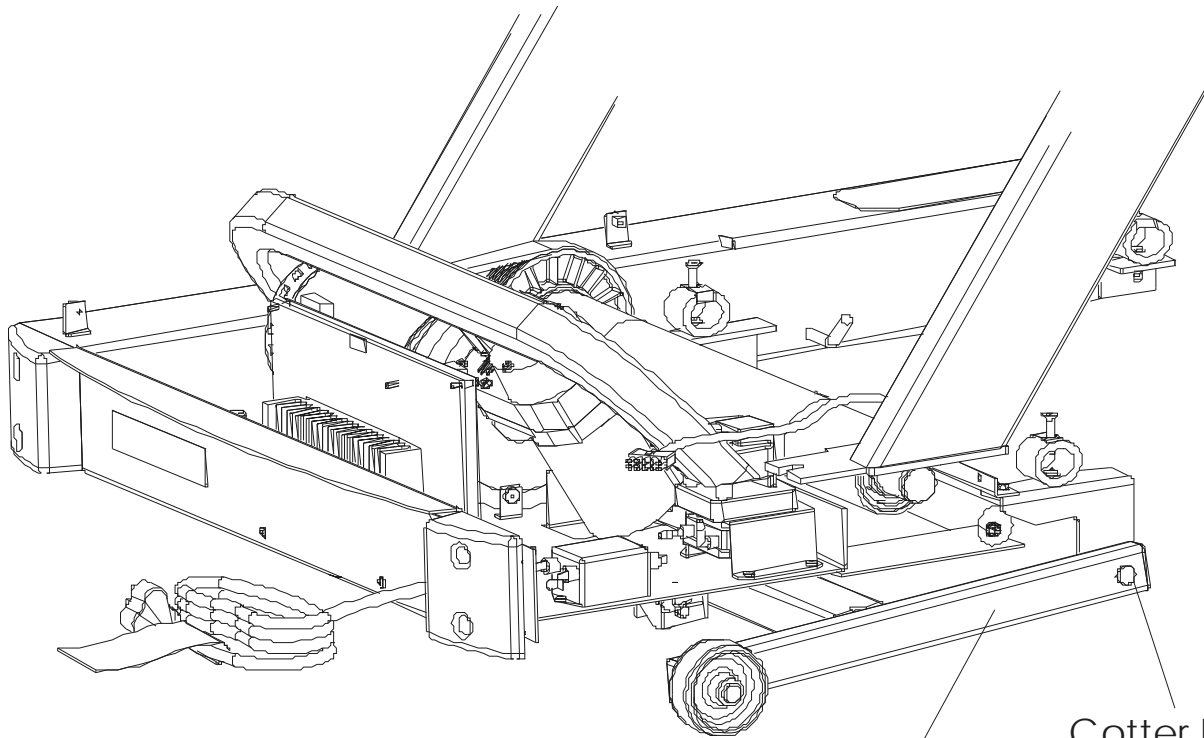










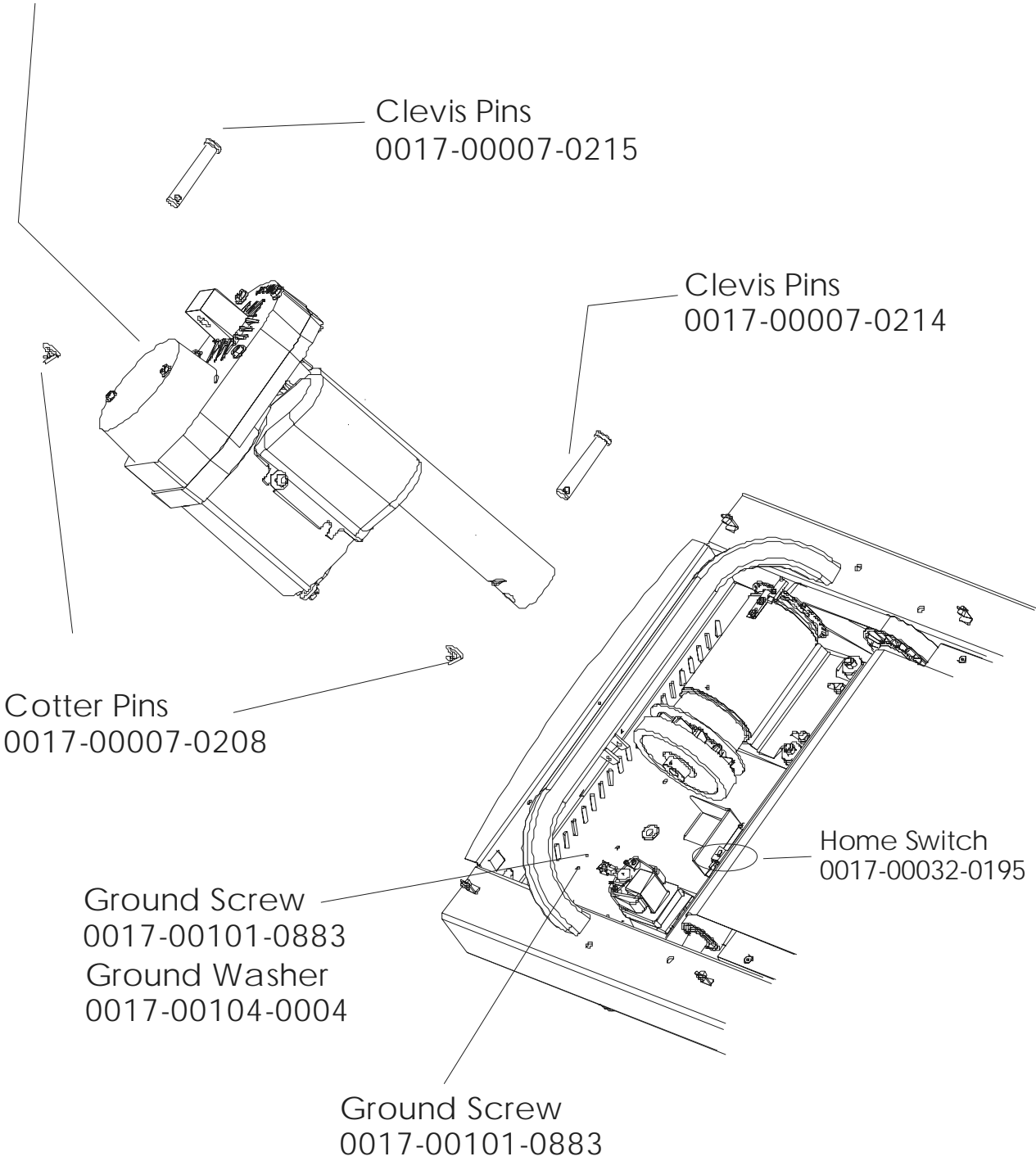


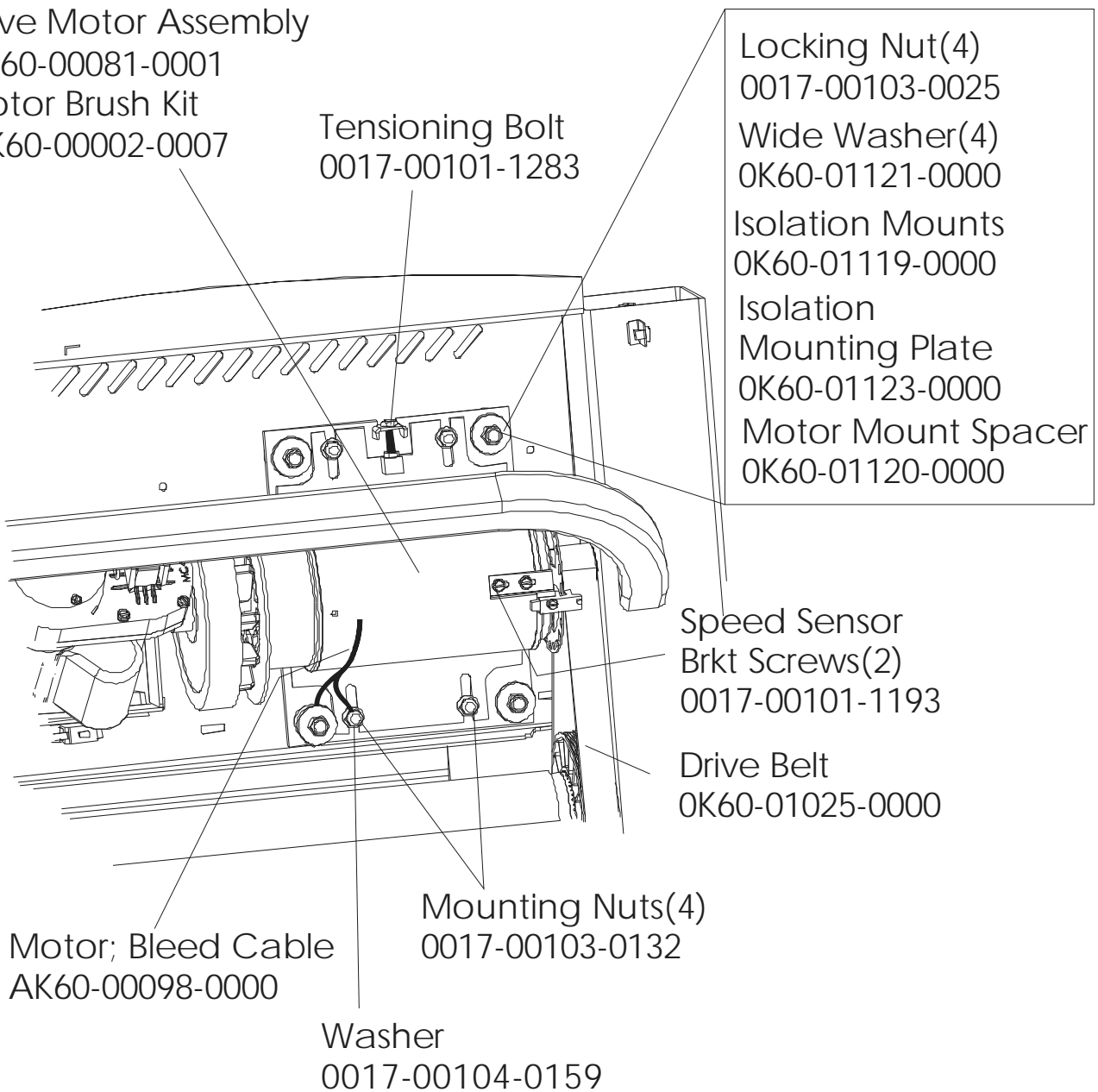
Wheel Assembly
OK60-01020-0000
Cap
OK60-01092-0000
Cotter Pin
0017-00007-0208
Clevis Pin
0017-00007-0271

Lift Frame Assembly
AK60-00065-0000

Cotter Pin
0017-00007-0208
Clevis Pin
0017-00007-0270

Lift Motor
OK60-01094-0000 (120v)
OK60-01166-0000(220v/60Hz)

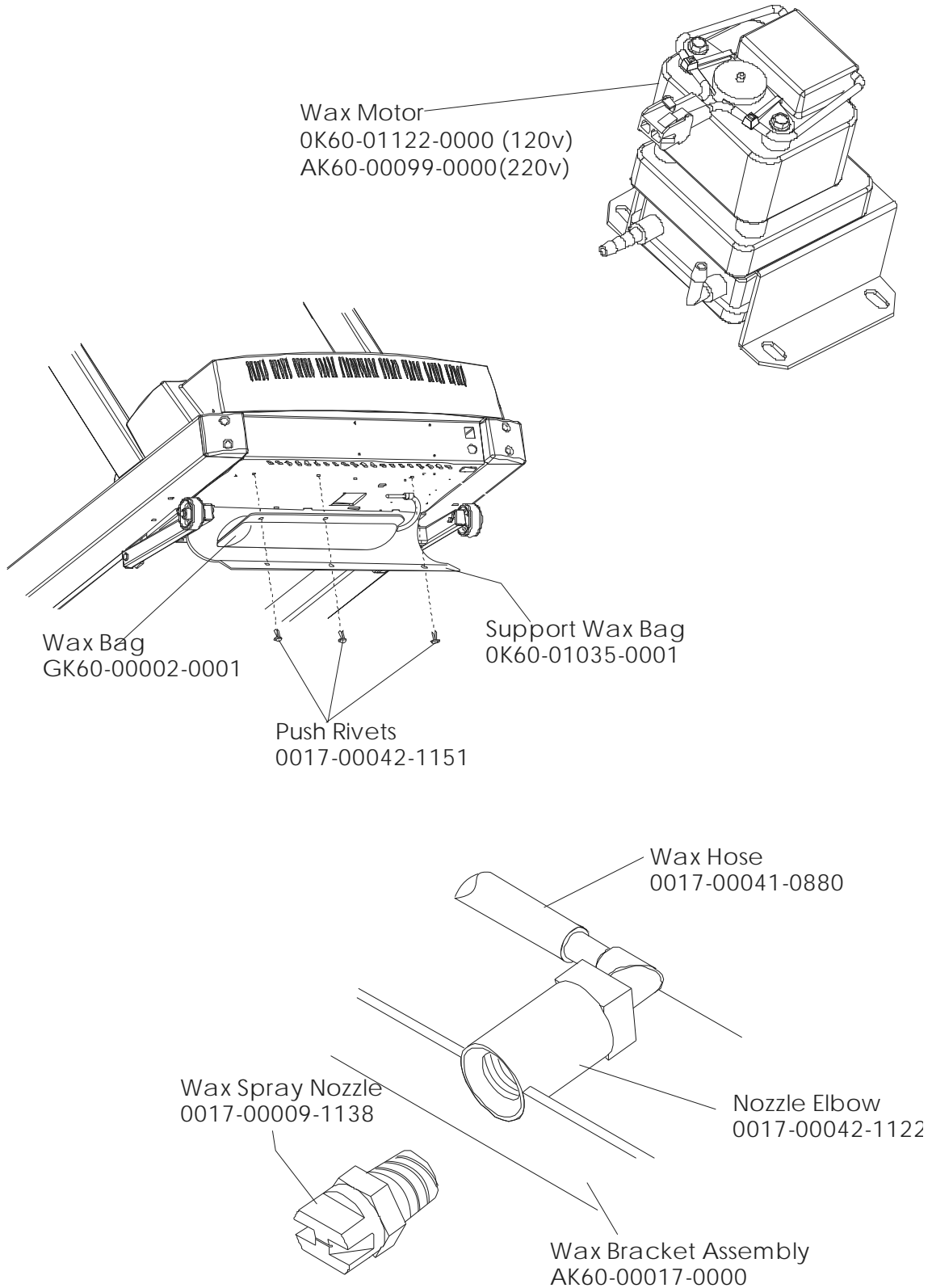


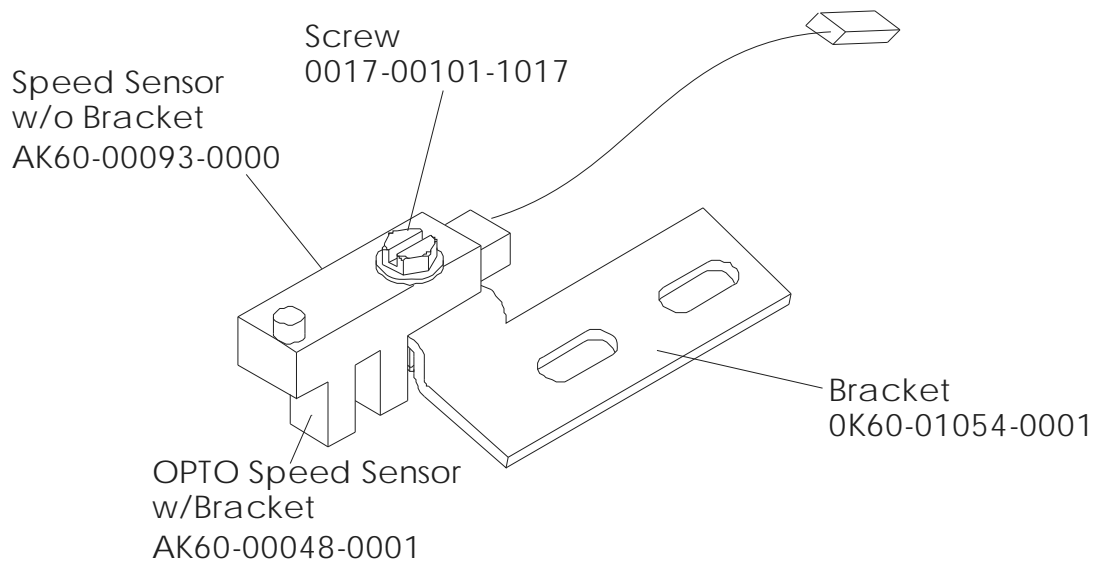
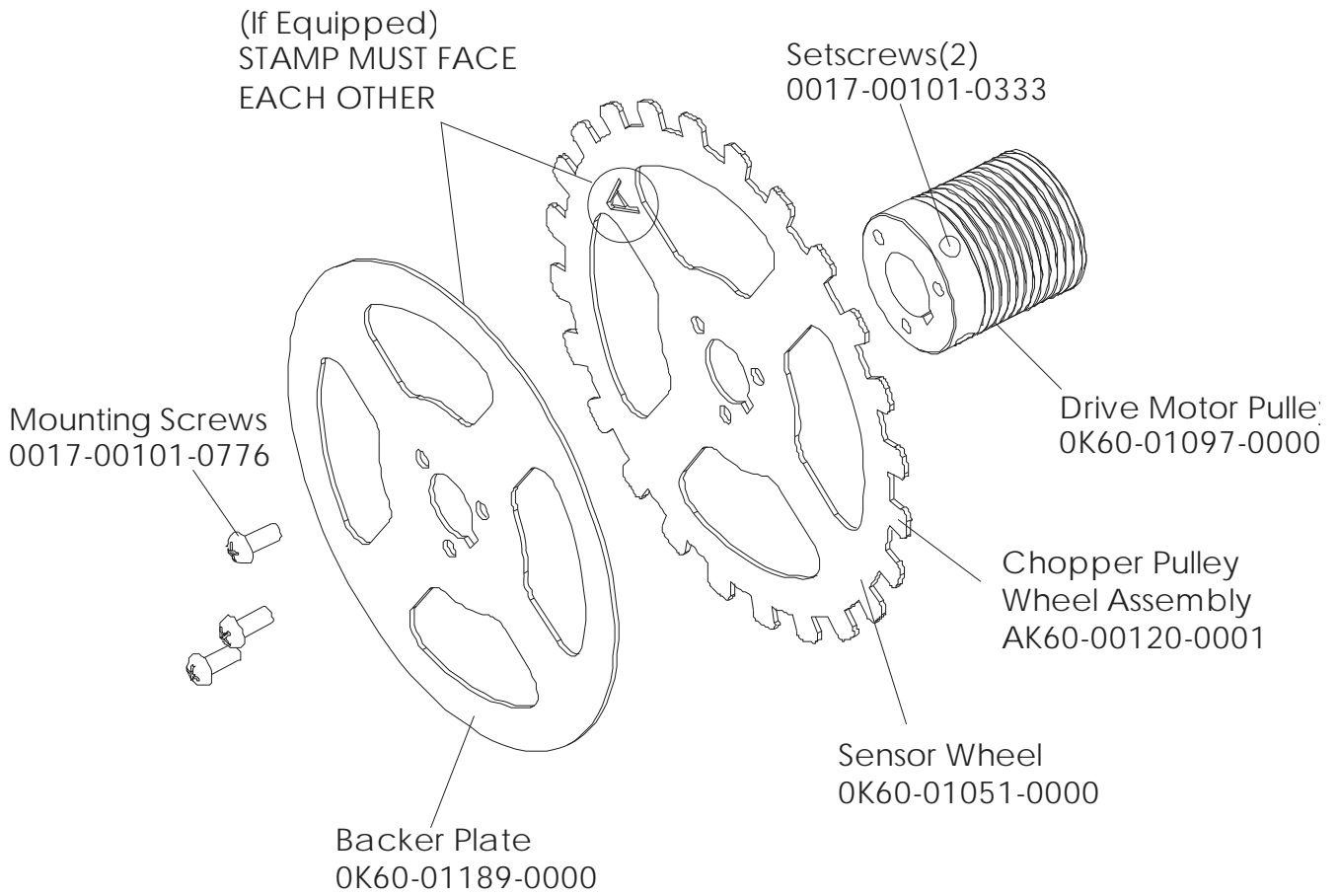


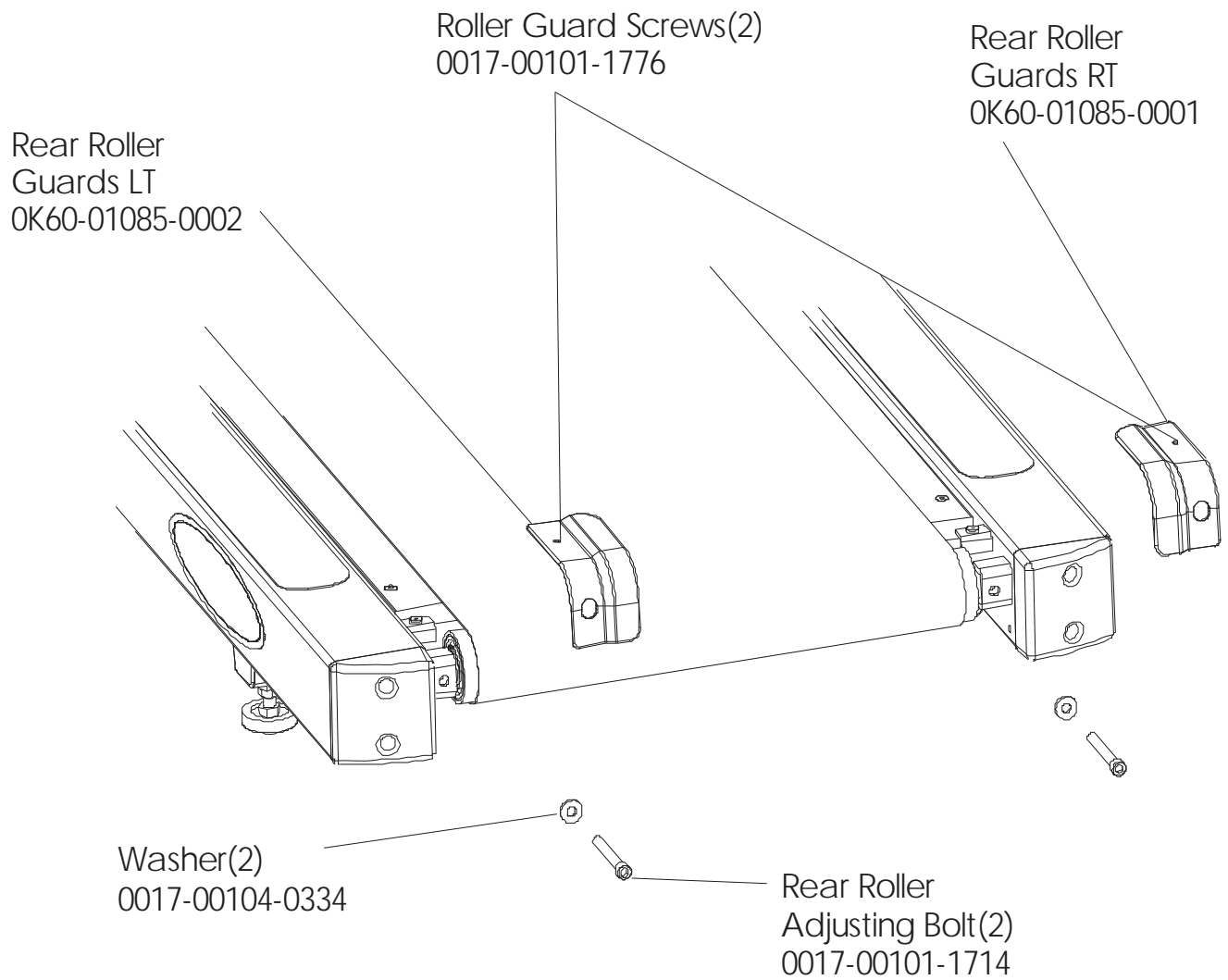
SILVER BULLET 90T
Wax Motor, Wax Bag, Wax Nozzle, and Bracket

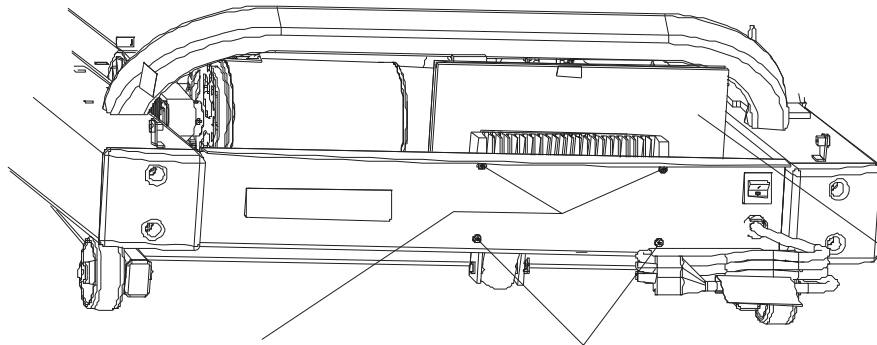
90T-XXXX-01
S/N TTA100000 and up

Not Applicable for models 90T-0100 or 90T-0300





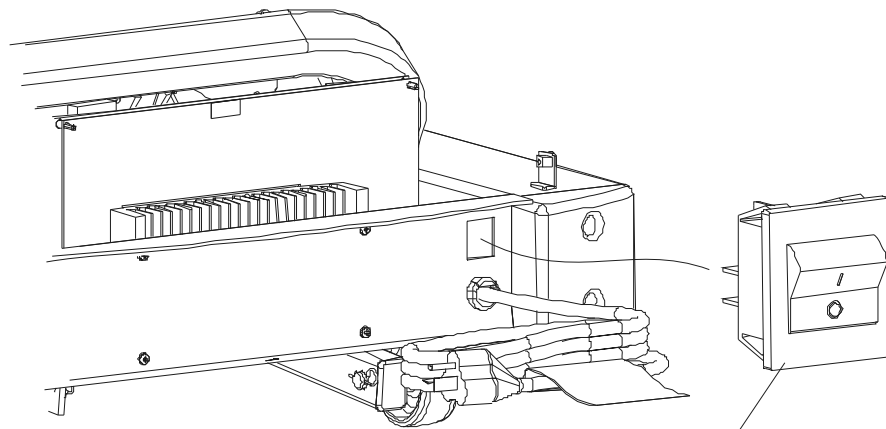




DC Controller Top
Mounting Screws(2)
0017-00101-0168
Lock Washers(2)
0017-00104-0460

DC Controller Bottom
Mounting Screws(2)
0017-00101-0162

DC Controller
GK60-00002-0002
100-120 Volts/50-60 Hz
GK60-00002-0003
200+ Volts/50-60 Hz



ON/OFF Switch
0017-00032-0198

