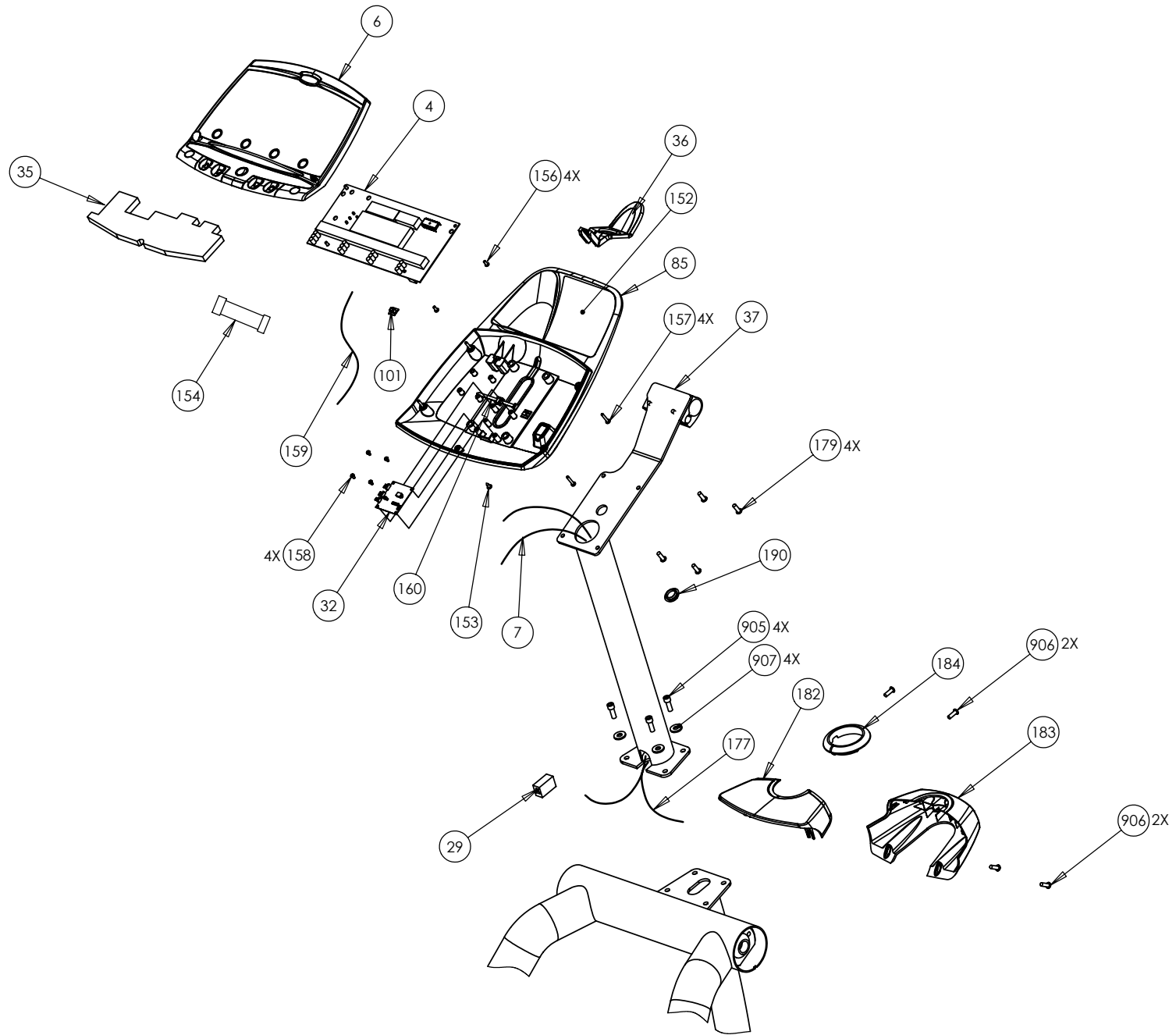
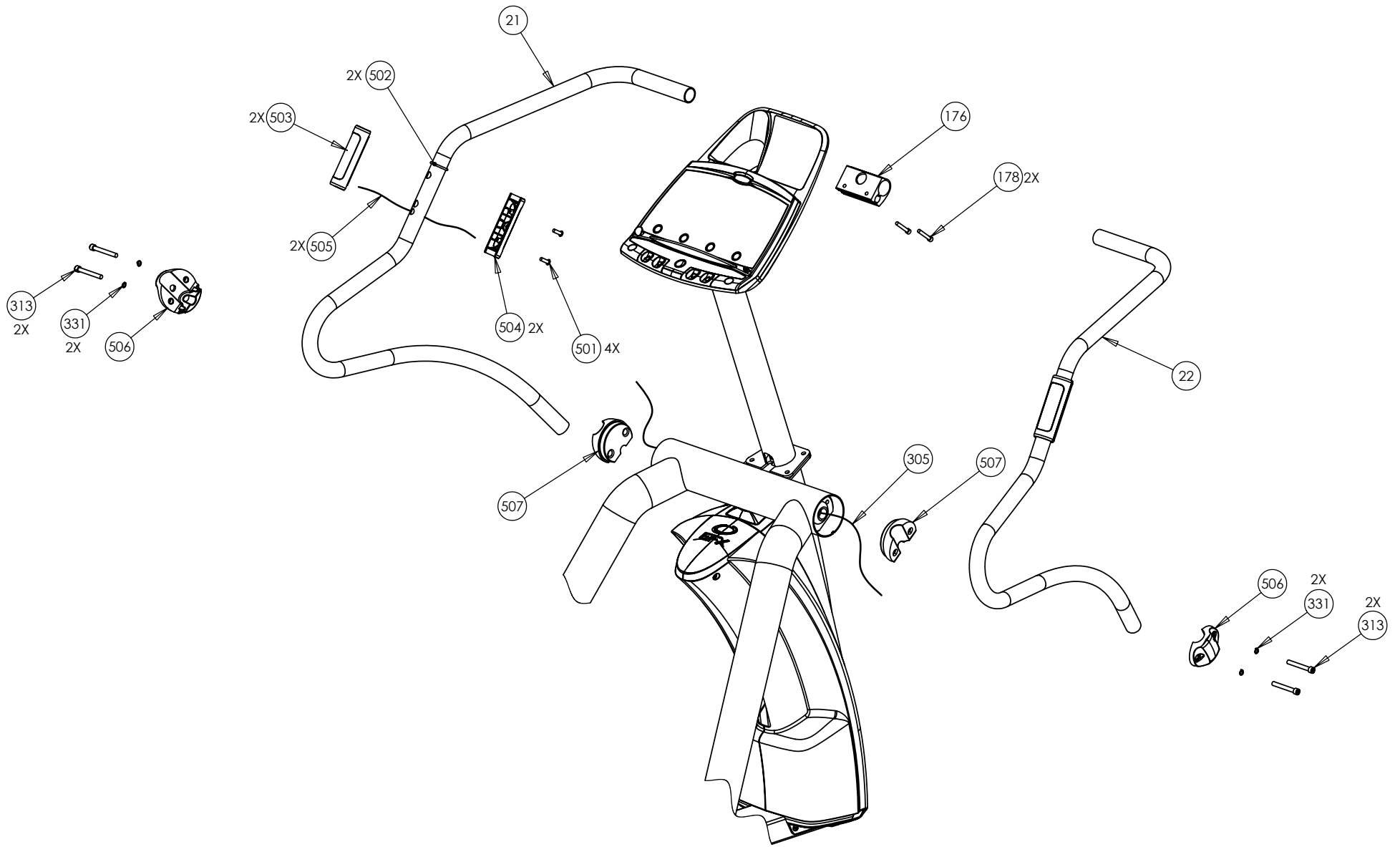


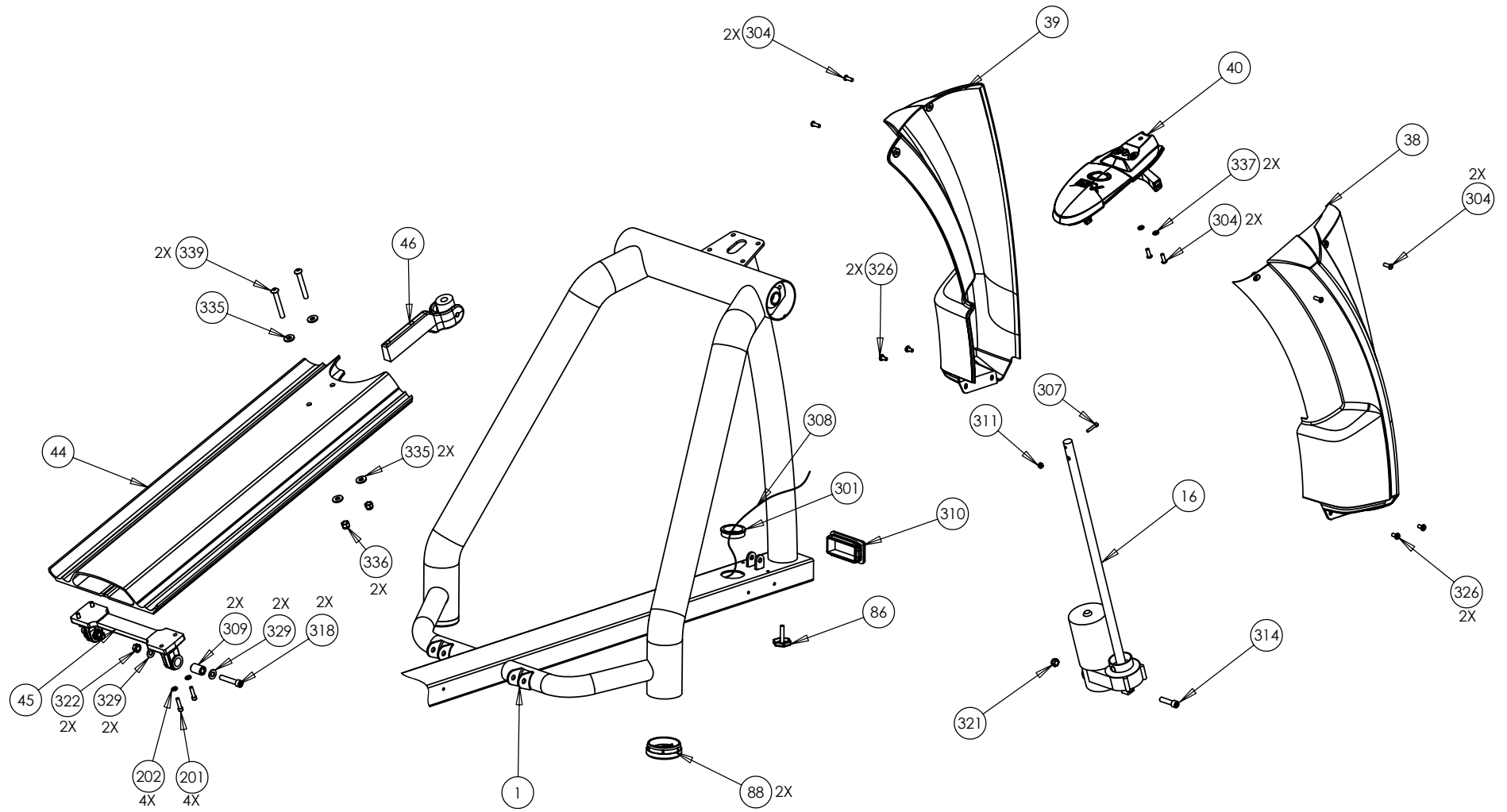
C546i	P/N : 46819-101	SUBREV : H
DRAWN BY : M. HAMILTON	DATE : 12.07.04	SHEET 1 OF 8



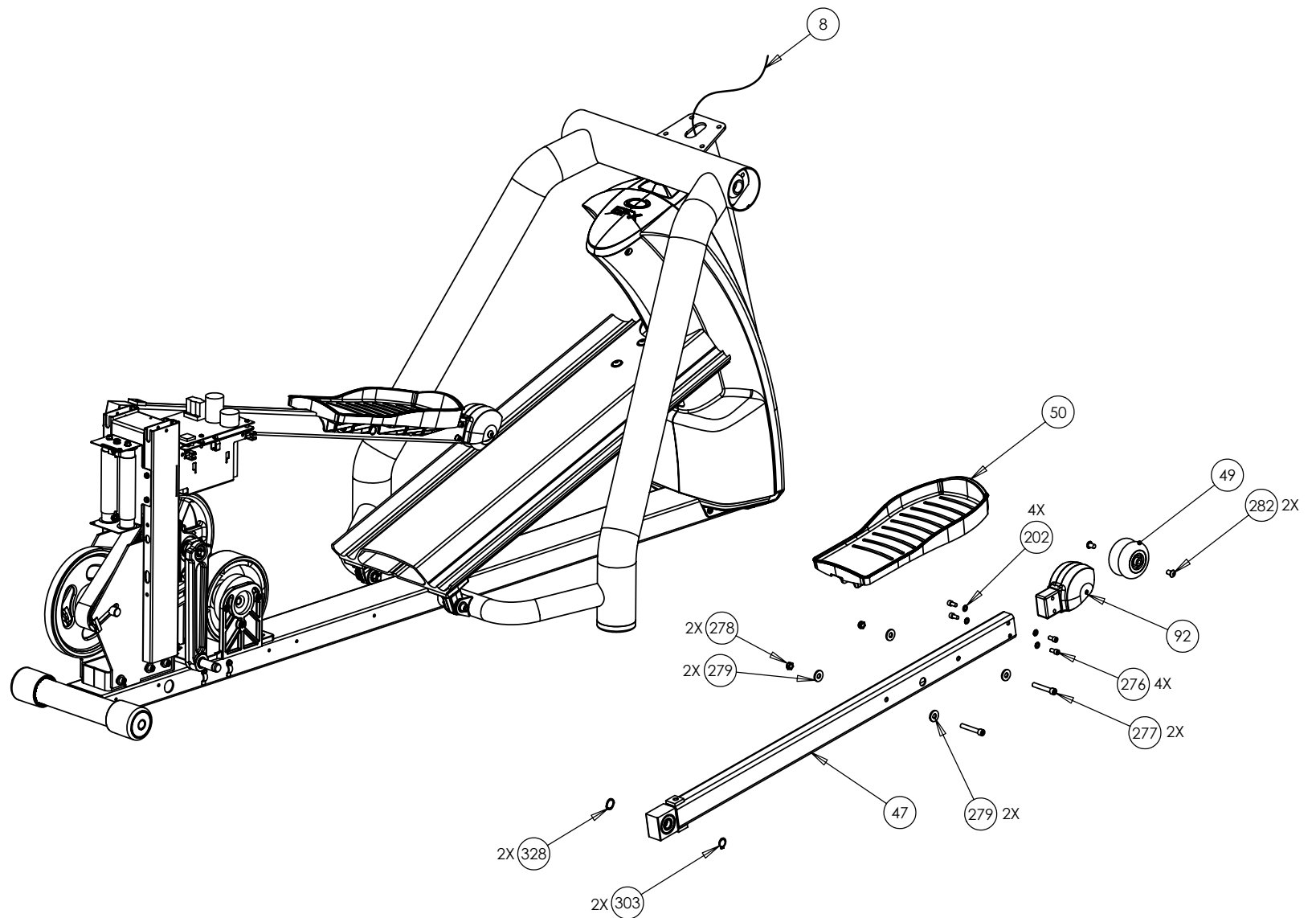
C546I	P/N : 46819-101	SUBREV : H
DRAWN BY : M. HAMILTON	DATE : 12.07.04	SHEET 2 OF 8



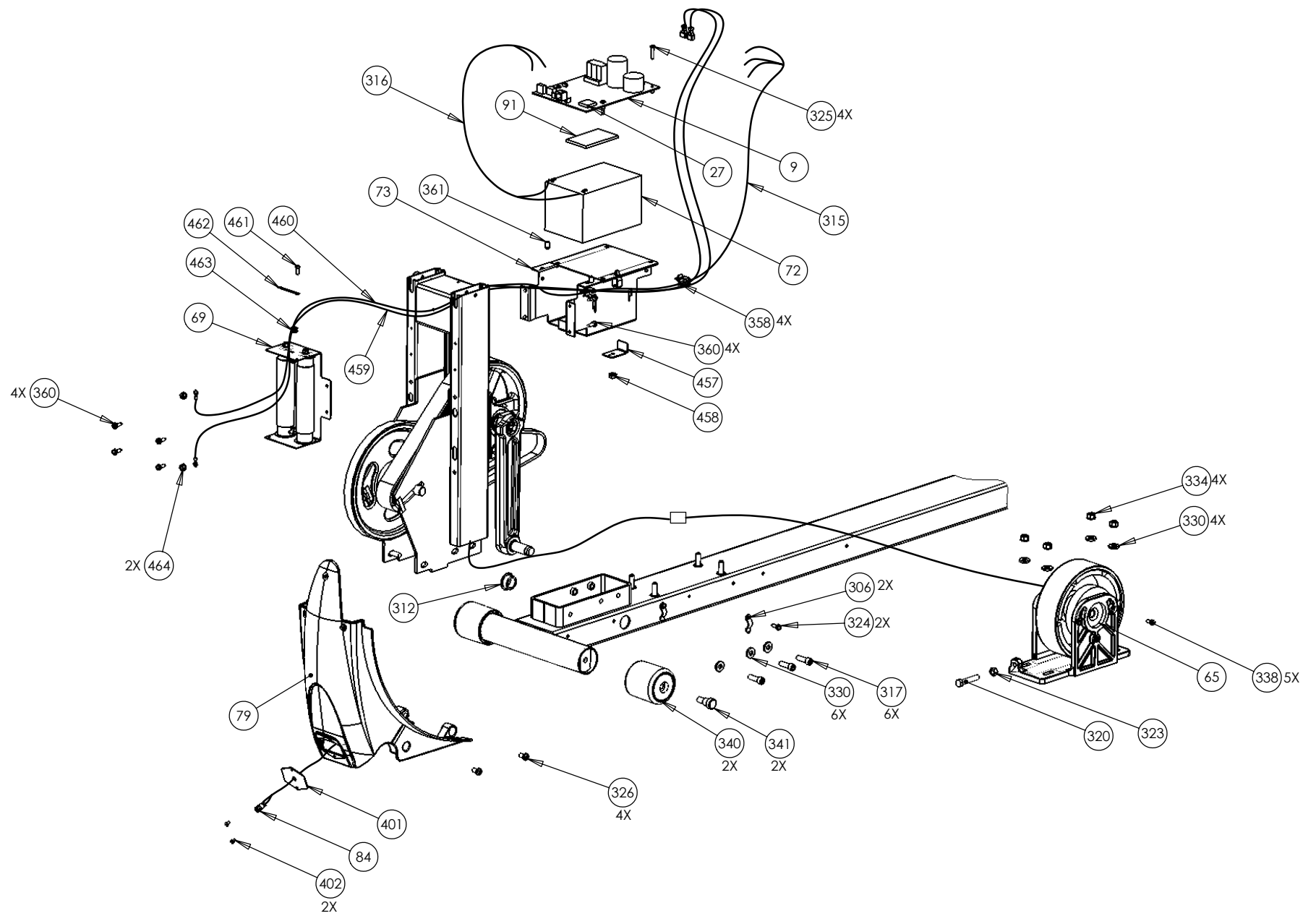
C546I	P/N : 46819-101	SUBREV : H
DRAWN BY : M. HAMILTON	DATE : 12.07.04	SHEET 3 OF 8



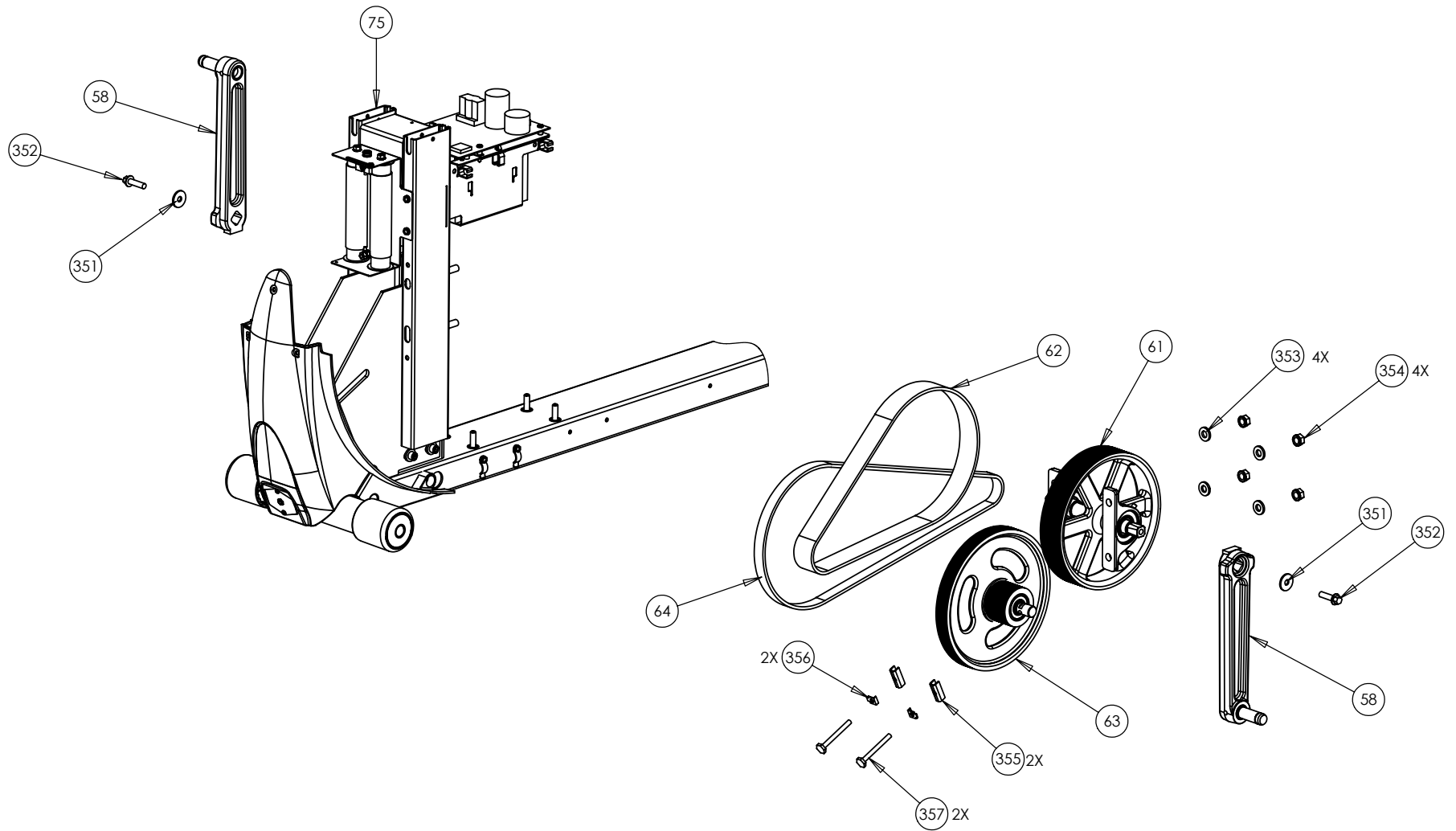
C5461	P/N: 46819-101	SUBREV: H
DRAWN BY: M. HAMILTON	DATE: 12.07.04	SHEET 4 OF 8



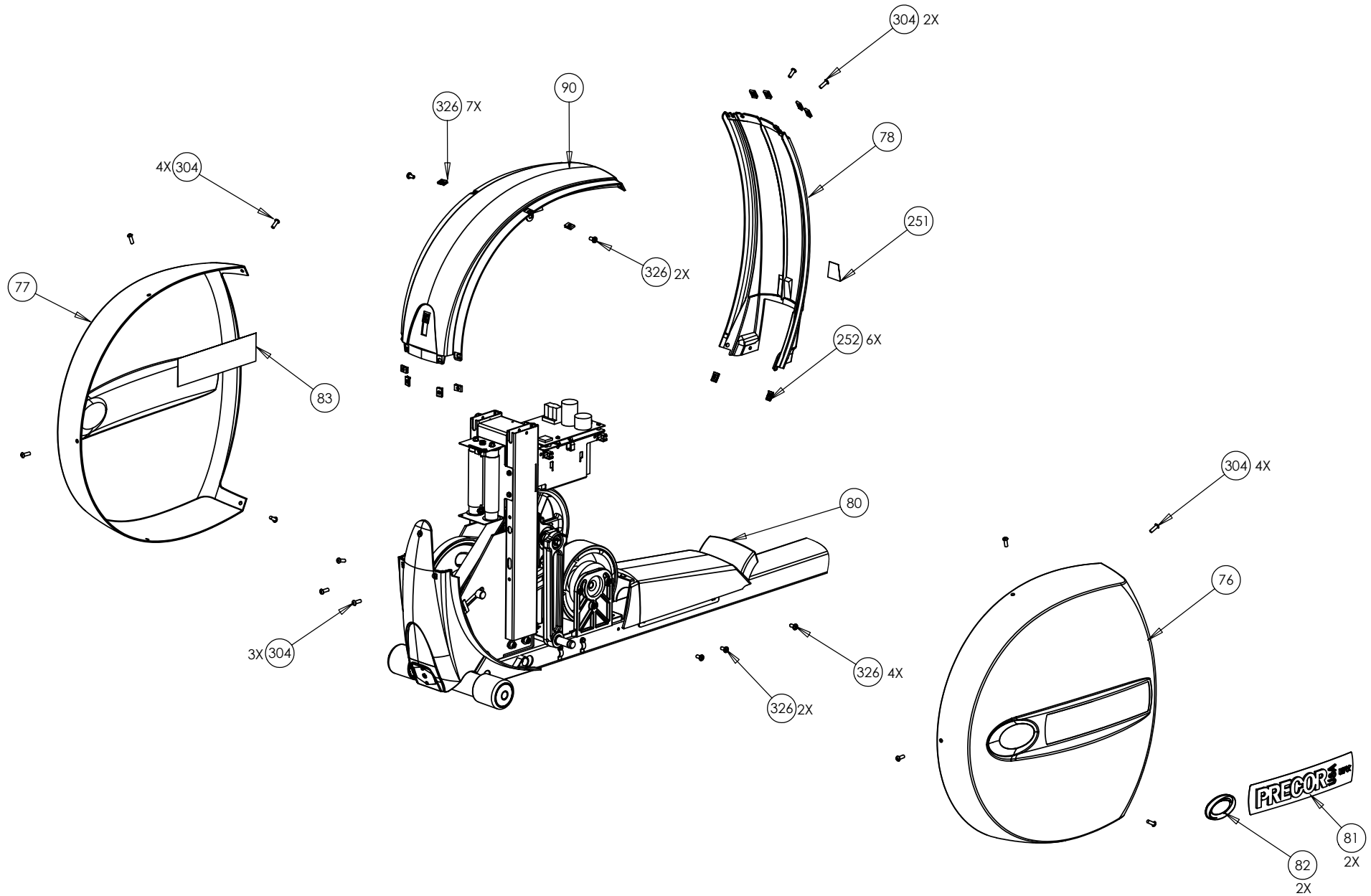
C546I	P/N : 46819-101	SUBREV : H
DRAWN BY : M. HAMILTON	DATE : 12.07.04	SHEET 5 OF 8



C5461	P/N : 46819-101	SUBREV : H
DRAWN BY : M. HAMILTON	DATE : 12.07.04	SHEET 6 OF 8



C5461	P/N : 46819-101	SUBREV : H
DRAWN BY : M. HAMILTON	DATE : 12.07.04	SHEET 7 OF 8



C546I	P/N : 46819-101	SUBREV : H
DRAWN BY : M. HAMILTON	DATE : 12.07.04	SHEET 8 OF 8



**C546i (serial code X8, XG, Z2)**

<b>Part Number</b>	<b>Description</b>	<b>Bubble Number</b>
43770-106	WELDMENT, FRAME, 5X6, PT	1
43821-105	ASSY, FRAME, 5X6, PHOENIX	1
45751-105	ASSY, UPPER PCA & SW, C546I-T2	4
47337-111	ASSEMBLY, DISPLAY, LABEL, EN, 546I,	6
44905-036	ASSY,CBL,MOD,8P8C,1-1,36"	7
44905-132	ASSY,CBL,MOD,8P8C,1-1,132"	8
45600-545	PCA, EFX SELF POWER LOWER, 6-PHASE,	9
47070-102	ASSY, LOWER PCA & SW, SP EFX, 6-PHA	9.01
45146-202	ACTUATOR, LIFT,SELF POWERED EFX, W/	16
47138-101	ASSY, HANDLEBAR, C546I, LEFT	21
47138-102	ASSY, HANDLEBAR, C546I, RIGHT	22
47043-311	CPU, PGMD, EFX SELF POWER, 6-PHASE,	27
11415-101	COUPLER,MOD,8P8C,INLINE	29
43579-106	BOARD, CHR & WIRELESS/CONTACT PRIOR	32
44411-103	TOUCHSENSOR SHIELD,23-KEY,T2/C2/T3/	35
43329-102	WIRE FORM,PLASTIC,COMMERCIAL	36
43913-104	WELDMENT, FRAME, UPPER, 546I, STONE	37
47060-101	WELDMENT,FRAME,UPPER,546I	37
44379-102	COVER,FRONT,RIGHT,STONE GRAY	38
44454-102	COVER, FRONT, LEFT, STONE GRAY	39
44555-102	ASSY, EFX COVER, FRONT, TOP, STONE	40
43791-104	ASSEMBLY, RAMP, C546	44
45858-101	ASSY, PIVOT BLOCK ONE PIECE C5X6	45
50584-101	COMMERCIAL EFX RAMP PIVOT RELACEMEN	45.01
45517-103	ASSY, LIFT NUT AND YOKE	46
50570-101	ASSY, STAIRARM/ RAIL PIVOT,C546	47
50578-102	ASSY, STAIRARM WHEEL, LARGE BEARING	49
37314-108	PEDAL, FOOT	50
44557-104	ASSEMBLY, CRANK ARM, COMMERCIAL, WI	58
45976-101	ASSEMBLY, DRIVE INPUT,17:1 DRIVE, E	61
10217-138	BELT, DRIVE, 360J16 POLY V	62
45974-101	ASSY,STEP-UP,17:1 DRIVE,EFX	63
10217-139	BELT, DRIVE, 460J8 POLY V	64
50592-102	RETROKIT ADAPTOR CABLE/GENERATOR	65
39700-101	ASSEMBLY, RESISTOR, 240W	69
45969-101	ASSY, BATTERY W/CABLE,SLA,12V,12AH,	72
45908-105	BRACKET, BATTERY, LARGE, SELF POWER	73
44940-101	ASSY,DRIVE WELDMT,SP EFX	75
44527-109	ASSY, EFX COVER, RIGHT SIDE	76
44527-110	ASSY, EFX COVER, LEFT SIDE, SP	77
44479-102	ASSY, FRONT PANEL, EFX COVER, REAR,	78
43707-102	SUPPORT, REAR COVER,CHARCOAL GRAY	79
43707-103	SUPPORT, REAR COVER,STONE GRAY	79
43840-102	WEDGE, REAR COVER, EFX,STONE GRAY	80
47347-101	LABEL, EFX COVER, REAR, STONE GREY	81
47355-101	LABEL, EFX LOGO, REAR COVER, DURO-L	82
47086-102	LABEL, WIRING DIAGRAM,C546I/C556I/C	83
45252-035	ASSY,CBL,2C,PWR JACK/.08 RECP,35"	84
43179-104	BACKPLATE, DISPLAY, COMMERCIAL ,STO	85
47324-101	ASSY, DISPLAY BACK, HHHH, STONE GRA	85
11406-101	FOOT, LEVELER	86
38305-102	FOOT,FRAME,MOLDED	88
38264-103	ASSY, RAIL, PIVOT BLOCK/BEARING	89
44480-103	ASSY, TOP PANEL, EFX COVER, REAR	90
41650-502	BATTERY, PAD, 3.25 X 2.0 X 3/16 THI	91
43702-504	WHEEL, COVER, 556, PT	92
11075-110	FUSE,6.30A,250VAC,SLOW,RADIAL	95
12264-101	RJ-45 TELEPHONE JACK PLUG	101

47334-111	LABEL, ACCESSORY TRAY, EN, 546I	152
PGKN016-050	SCREW,S/T,#8X1/2,TRS,PHIL,BLK	153
45696-022	ASSY,CBL,FFC,12COND,28AWG,2.2"	154
MGCN016-038	SCREW,MCH,8-32X3/8,PANHD,PHIL,	156
PMKN016-088	SCREW,TCS,#8X7/8,PHIL,BLK ZN,TYPE 2	157
MGCN013-025	SCREW,MCH,6-32X1/4,PANHD,PHIL,	158
44954-013	ASSY,CBL,HHHR TO DISPLAY,13"	159
10123-102	CABLE TIE, 3-7/8 LONG,WHITE,NYL	160
37499-102	CLAMP, HANDLEBAR,BLACK, PT	176
37499-103	CLAMP, HANDLEBAR,BLACK, PT	176
47341-036	ASSY, CABLE, HHHR PCA, W/SHIELD, 36	177
CAKN025-150	SCREW, SKHD,1/4-20X1.50,BLK ZN,LK	178
TFKN025-075	SCREW,BTHD,1/4-20X3/4,BLK ZN	179
43175-105	COVER, CLAMP, UPPER,STONE GRAY	182
43176-104	COVER, CLAMP, LOWER,STONE GRAY	183
43177-101	GROMMET, CLAMP COVER	184
47718-102	HOLE PLUG, PLASTIC .875 X.13-.18	190
CAKN025-088	SCREW,SKHD,1/4-20X7/8,BLK ZN,LK	201
WPNN026-003	WASHER, FLAT, .255 X .468 X .029, S	202
47546-101	LABEL, CAUTION	251
10136-103	CLIP,U TYPE, TINNEMAN, 1/4-20	252
CCNN025-063	SCREW,SKHD,1/4-20X5/8,SS,LK	276
CCNN031-200	SCREW,SKHD,5/16-18X2,SS,LK	277
KADN031-016	LOCKNUT,HALF,5/16-18,CAD PLT	278
WPNN038-008	WASHER,FLT,5/16X.875X.104,SS	279
TCNN031-050	SCREW,BTHD,5/16-18, 1/2,SS	282
WPNN026-003	WASHER, FLAT, .255 X .468 X .029, S	289
10178-114	BUSHING,SNAP-IN,2.00OD X 1.64 ID	301
ABHN017-001	RING, RETAINER, EXTERNAL	303
TFKN025-075	SCREW,BTHD,1/4-20X3/4,BLK ZN	304
47344-015	ASSY, CABLE, HHHR INTERFACE, W/SHIE	305
12240-101	CLAMP, CABLE	306
CBKN016-100	SCREW,SKHD,8-32X1,BLK ZN	307
45205-096	ASSY,CBL,18AWG,6P5C,MINI-FIT,96"	308
43798-102	SHAFT, PIVOT BLOCK, C5X6-NC	309
11311-101	ENDCAP, REC TUBE, BLACK PLASTIC, 50	310
KECN016-019	LOCKNUT, FULL 8-32, ZINC	311
10178-107	BUSHING, SNAP	312
CAKE031-250	SCREW,SKHD,5/16-18X2.50,BLK ZN,LK	313
CCKN038-150	SCREW,SKHD,3/8-16X1.50,BLK ZN,LK	314
47095-042	ASSY,CBL,22AWG,6P6C TO 8P6C,MINI-FI	315
45500-010	ASSY,CBL,18AWG,FLAG QC CONN,10"	316
CAKN031-100	SCREW,SKHD,5/16-18X1,BLK ZN,LK	317
CAKN038-200	SCREW,SKHD,3/8-16X2,BLK ZN,LK	318
HJCN031-150	SCREW,HEX,5/16-18X1.50,ZINC,FULLY	320
KAKN038-027	LOCKNUT,HALF,3/8-16,BLK ZN	321
KGCN038-033	LOCKNUT, STARWASHER, 3/8-16	322
KMCN031-023	NUT, HEX, 5/16-18, ZINC	323
PKCN019-050	SCREW,S/T,#10X1/2,WSHHXHD,ZN	324
PMKN016-088	SCREW,TCS,#8X7/8,PHIL,BLK ZN,TYPE 2	325
PANKN025-050	SCREW,S/T,#1/4-20X1/2,PANHD,PHIL,BZ	326
WAGNN062-001	WASHER, WAVE, .87 OD X .62 ID	328
WBKN038-007	WASHER, FLT, 3/8, ID=.406, BLK ZN	329
WBANN034-013	WASHER,FLAT,ID=11/32,OD3/4,TH=.125,	330
WALKN031-008	WASHER, 5/16 SPLIT LOCK, BLACK ZINC	331
KGCN031-027	LOCKNUT,STARWASHER,5/16-18,1/2	334
WPNN038-006	WASHER, FLAT, 3/8 X 1/16 THK,	335
KDKN038-034	LOCKNUT,FULL,3/8-16,BLK ZN	336
WPNN028-006	WASHER,ID=.276,OD=.5,THK=.060	337
CECE005-014	SCREW, SKHD, M5 X .08 X 14MM, ZN,LK	338

TCNN038-275	SCREW, BTHD,3/8-16X 2.75, SS	339
45979-101	WHEEL,EFX TRANSPORT	340
RAKN038-050	SCREW,SHLD,1/2 X 1/2 ,HEXSC,	341
WNNN032-009	WASHER,FLT, .321X1.00X.090 THK	351
HTKT008-018	BOLT,SHIMANO CRANK,M8X18MM, NYLK	352
WRCN038-011	WASHER,GRADE 8,3/8,13/32 ID,13/16OD	353
KGCN038-033	LOCKNUT, STARWASHER, 3/8-16	354
37385-101	BRACKET, TENSIONER	355
37855-103	TAB, LOCKING	356
HACN025-250	SCREW,1/4-20X2-1/2,HEX,GR 2,ZN	357
PKCN019-050	SCREW,S/T,#10X1/2,WSHHXHD,ZN	360
12289-806	SPCR,SELFRETAIN,NYLN,#8(M-4),3/8"	361
44966-102	PLATE,CHARGER CONNECTOR,SP, EFX	401
MGKN013-025	SCREW,MCH,6-32X1/4,PANHD,PHIL,	402
45910-101	TAB, BATTERY BRACKET, SELF-POWERED	457
KGCN025-020	LOCKNUT,STARWASHER,1/4-20,ZN	458
47098-031	ASSY,CBL, HIGH TEMP, 600V,	459
47098-027	ASSY,CBL, HIGH TEMP, 600V,	460
PMKN016-050	SCREW,TCS,#8X1/2,PHIL,BLK ZN,TYPE25	461
12103-101	CLAMP,CABLE,VINYL COATED	462
10379-109	GROMMET, 49/64 OD, 1/4 ID	463
KNCN019-013	NUT,HEX,10-32,ZINC	464
TCNN016-075	SCREW, BTHD, 8-32X.75,SS	501
10115-113	O-RING, ROUND, 1.25ID X .139	502
42713-102	HHHR SENSOR, TOP	503
42714-102	HHHR SENSOR,BOTTOM	504
47343-048	ASSY, CABLE, HHHR GRIP, W/SHIELD, 4	505
44516-102	CASTING,HNDLBAR MOUNT,OUTER,C546I,S	506
44517-102	CASTING,HNDLBAR MOUNT,INNER,C546I,S	507
47040-102	KIT,HARDWARE,C546I	901
10186-101	WRENCH, ALLEN, 5/32	902
10186-102	WRENCH, ALLEN, 1/4	903
10186-103	WRENCH, ALLEN, 3/16	904
CCNN031-088	SCREW,SKHD,5/16-18X7/8,SS,LK	905
TFKN025-075	SCREW,BTHD,1/4-20X3/4,BLK ZN	906
WPNN038-008	WASHER,FLT,5/16X.875X.104,SS	907
KMCN031-023	NUT, HEX, 5/16-18, ZINC	908
46821-101	LITERATURE KIT, C546I, PHOENIX	999