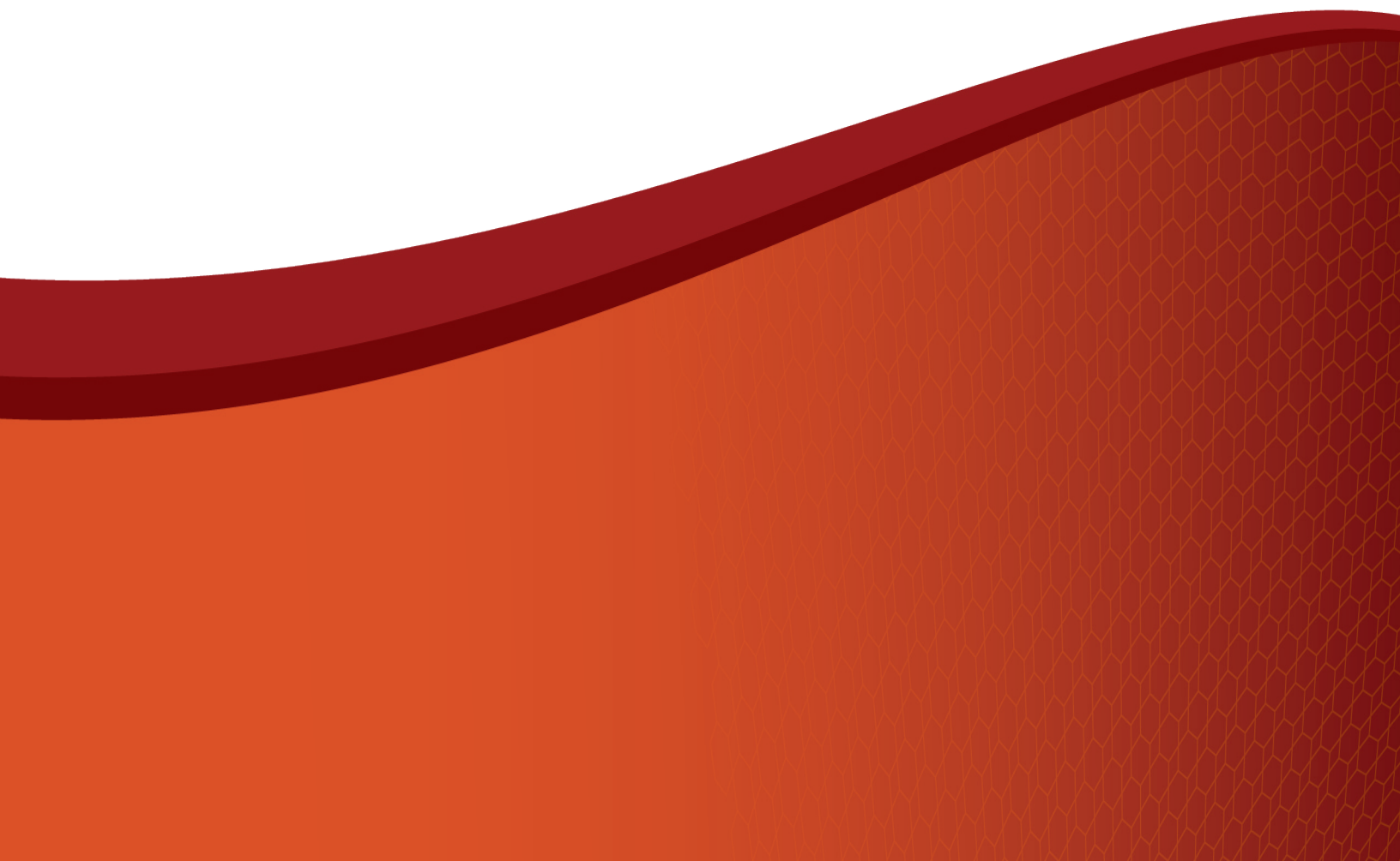


PARTS LIST/EXPLODED VIEW



Parts List

Item	Part No.	Description	Qty
Sub-Assemblies			
6	7CS8S001	CONSOLE MAST SUB-ASSEMBLY	1
6		CONSOLE HANDLE BAR MAST	1
88	7SRS0026	CONSOLE MAST PLUG	1
89		HANDLE BAR FOAM GRIPS	2
8	7PSB0008	BELT WHEEL SUB-ASSEMBLY	1
8		BELT WHEEL	1
147	7CS80138	STEEL PIN	1
9	7PSB0009	FRONT PULLEY AXLE SUB-ASSEMBLY	1
10		AXLE FOR FRONT PULLEY	1
11		ONE WAY BEARING	1
12		FRONT PULLEY (ROHS)	1
13	7CBW0085	BEARING	2
19	7CS8S006	PEDAL CRANK SUB-ASSEMBLY	1
18		CRANK	1
19		BIG BELT PULLEY	1
20		BEARING STAND (RIGHT)	1
21	7BZ00072	BEARING	2
22		BEARING STAND (RIGHT - INNER)	1
23		B.B. SLEEVE (RIGHT)	1
24		B.B. SLEEVE (LEFT)	1
25		BEARING STAND (LEFT)	1
26		B.B. BEARING STAND (LEFT)	1
27		B.B. LOCK WASHER	1
28		B.B. HEX NUT	1
2		MAGNET	1
91		BELT WHEEL PLUG	1
28	7CS8S010	BELT TENSIONER ARM SUB-ASSEMBLY	1
7		TENSIONER ARM SLEEVE	2
15	7CBW0081	BEARING	2
29		BELT TENSIONER ARM	1
30	7CS80040	BELT TENSION SPRING	1
144	7CS80135	CLIP	1
156	7CS80147	PLASTIC WASHER	2
157	7CS80148	CLIP	1
32	7CS8S009	PEDAL CRANK SUB-ASSEMBLY	1
32		ALUMINUM SEAT RAIL	1
33	7CS80043	SEAT RAIL THREADED INSERT	2
34	7CS80044	TAB	1
35		PERFORATED STRIP (ROHS)	1

Parts List

Item	Part No.	Description	Qty
137	7CS80126	SCREW	6
154	7CS80145	SCREW	3
187		TRANSPERANCE LABEL(FOR ALUM. RAIL)	2
188		ALUMINUM RAIL NUMBER DECAL	1
36	7PSB0066	SEAT ROLLER SUB-ASSEMBLY	4
36		ROLLER BRACKET	1
75		ROLLER	2
164		SAFE WASHER STEEL	2
165	7PSB0068	E CLIP	2
166	7CBW0070	NYLOCK NUT	2
37	7CS8S014	SEAT STOP SUB-ASSEMBLY	1
37		AXLE (ROHS)	1
66		STEEL SLEEVE (SEAT STOP)	2
135		WASHER	2
136		SCREW	2
38	7BZ00020	REAR STABILIZER SUB-ASSEMBLY	1
38		REAR STABILIZER	1
65	7BZ00034	REAR STABILIZER END CAP	2
140	7CS80129	HEXAGON NUT	2
141	7CS80130	WASHER	2
5	7CS80009	ADJUST LEVER KNOB	2
39	7CS8S003	FRONT STABILIZER SUB-ASSEMBLY	1
39		FRONT STABILIZER	1
59	7SRS0046	FRONT STABILIZER END CAP (L)	1
60	7SRS0047	FRONT STABILIZER END CAP (R)	1
61	7BZ00029	TRANSPORT WHEEL	2
124	7CS80112	ALLEN HEAD SCREW	2
125	7CS80113	WASHER	2
126	7CS80114	WASHER	4
127	7CS80115	WAVE WASHER	2
140	7CS80129	HEXAGON NUT	2
141	7CS80130	WASHER	2
5	7CS80009	ADJUST LEVER KNOB	2
43	7SRS0001	SEAT CARRIAGE SUB-ASSEMBLY	1
36		ROLLER BRACKET	4
44		FIX BAR	1
43		SEAT CARRIAGE FRAME	1
55		SPRING	1
75		ROLLER	8
81		SPACER	1

Parts List

Item	Part No.	Description	Qty
164		SAFE WASHER STEEL	8
165	7PSB0068	E CLIP	8
166	7CBW0070	NYLOCK NUT	8
182	7CBW0062	NYLOCK NUT	1
184	7PSB0184	SCREW	1
185	7PSB0185	SCREW, SET	1
186	7CBW0060	SCREW	1
45	7SRS0003	ADJUSTABLE SEAT BACK SUB-ASSEMBLY	1
45		FIX TUBE ASSY	1
46		AXLE FIX PLATE	1
47		METAL BEARING	1
48		PLATE	1
49		BEARING	2
50		SPRING	1
77	7BZR0086	END CAP 20*40	2
78		ROUND NUT	1
169	7CBW0096	SPRING WASHER	2
172		ALLEN HEAD SCREW	2
173		WASHER	2
174	7PSB0182	SCREW	2
175		SPRING WASHER	2
180		HEXAGON NUT	1
176		SPRING PIN	1
177		SEAT BACK ADJUST AXLE	1
51	7SRS0002	AIR CYLINDER SUB-ASSEMBLY	1
51		AIR CYLINDER	1
52		PLATE	1
80	7SRS0009	AIR CYLINDER HANDLE	1
163		WASHER	1
178		SCREW	1
179	7CBW0043	NYLOCK NUT	1
181		SCREW	2
182	7CBW0062	NYLOCK NUT	1
53	7BZR0095	SLIDER BAR ARM ASSY	1
53		SEAT LOCK HANDLE	1
44		FIX BAR	1
55		SPRING	1
182	7CBW0062	NYLOCK NUT	1
184		SCREW	1
185		SCREW	1

Parts List

Item	Part No.	Description	Qty
186		SCREW	1
81		SPACER	1
94		FOAM GRIP FOR SEAT LOCK HANDLE	1
170		SCREW	2
54	7SRS0049	SEAT HANDLEBAR SUB-ASSEMBLY	1
54		SEAT HANDLE BAR	1
90		FOAM GRIPS FOR SEAT HANDLE BAR	2
108		HAND PULSE END CAP	2
102	7BZ7R097R	HANDLEBAR HR WIRE ®	1
103	7BZ7R097L	HANDLEBAR HR WIRE (L)	1
3		CONTACT HR STAINLESS STEEL	4
69		CONTACT HR PLASTIC (SCREW END)	2
70		CONTACT HR PLASTIC (NUT END)	2
138	7CS80127	SCREW	4
139	7CS80128	HEXAGON NUT	4
62	7CS8S012	PEDAL AND STRAP SET	1
62		PEDAL (R&L)	1
92	7BZ00106	PEDAL STRAP (R&L)	1
63	7CS8S015	SEAT BACK COVER SUB-ASSEMBLY	1
63		SEAT BACK COVER	1
72	7BZR0122	SEAT BACK PLUG	7
129	7CS80117	SCREW	10
67	7CS8S011	CD & BOTTLE HOLDER KIT	1
67		CD & BOTTLE HOLDER	1
68		CD & BOTTLE HOLDER BACK CASE	1
115	7CS80102	SCREW	6
69	7CBW0046A	CONTACT HEART RATE SUB-ASSEMBLY	1
3		CONTACT HR STAINLESS STEEL	4
69		CONTACT HR PLASTIC (SCREW END)	2
70		CONTACT HR PLASTIC (NUT END)	2
108	7CBW0051	HAND PULSE END CAP	2
138	7CS80127	SCREW	4
139	7CS80128	HEXAGON NUT	4
82	7PSB0082	FRONT RIGHT SHROUD SUB-ASSEMBLY	1
82		FRONT RIGHT SHROUD	1
191		FRONT RIGHT SWOOSH STICKER	1
83	7PSB0083	FRONT LEFT SHROUD SUB-ASSEMBLY	1
83		FRONT LEFT SHROUD	1
192		FRONT LEFT SWOOSH STICKER	1
85	7PSB0085	REAR RIGHT SHROUD SUB-ASSEMBLY	1

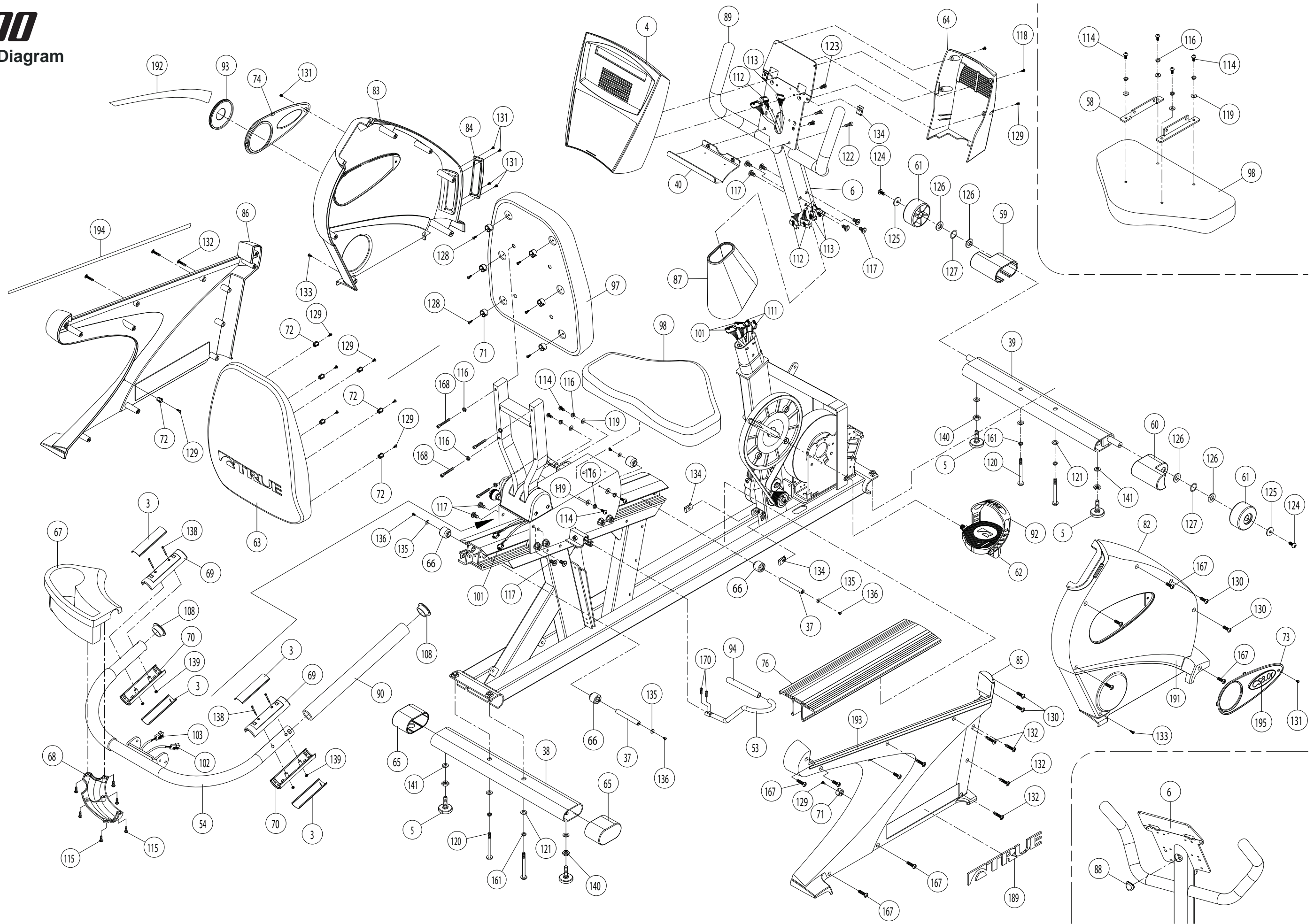
Parts List

Item	Part No.	Description	Qty
85		REAR RIGHT SHROUD	1
71	7BZR0121	PLUG STAND	1
129	7CS80117	SCREW	1
193		REAR RIGHT SWOOSH STICKER	1
189	70340100	TRUE LOGO	1
86	7PSB0086	REAR LEFT SHROUD SUB-ASSEMBLY	1
86		REAR LEFT SHROUD	1
72	7BZR0122	SEAT BACK PLUG	1
129	7CS80117	SCREW	1
194		REAR LEFT SWOOSH STICKER	1
189	70340100	TRUE LOGO	1
97	7BZR0085	SEAT BACK SUB-ASSEMBLY	1
97		SEAT BACK	1
71	7BZR0121	PLUG STAND	6
128	7CS80116	SCREW	6
Individual Parts			
1	7BZ70009	CONTROL BOARD (ROHS)	1
4	7BZ7SRS1	CONSOLE	1
9	7CS80015	SLEEVE FOR AXLE OF BELT PULLEY	1
14	7CBW0083	BEARING	2
16	7CBW0095	BELT	1
17	7CBW0094	BELT	1
31	7CS8S041	BAKELITE BOARD	1
40	7BZ00104	MAGAZINE RACK	1
41	7PSB0004	FITTING BRACKET FOR SHROUD	1
42	7PSB0047	SLEEVE	1
56	7PSB0056	BRAKE (CHI HWA - GENERATOR)	1
58	7SRS0015	SEAT BOTTOM PLATE	2
64	7CBW0133	CONSOLE PLATE FRONT ENCLOSURE W/O ENTERTAINMENT	1
	7CBW0133E	CONSOLE PLATE FRONT ENCLOSURE W/O ENTERTAINMENT	1
73	7CBW0136	TEARDROP PEDAL CRANK CLOSURE, RH	1
74	7CBW0137	TEARDROP PEDAL CRANK CLOSURE, LH	1
76	7CS80078	STRADDLE COVER	1
79	7CS80171	AIR CYLINDER COVER	1
84	7PSB0048	RECEPTACLE PLATE RECESS PLUG	1
87	7CBW0138	CONSOLE MAST BOOT	1
93	7BZ00012	CRANK COVER	1
95	7CS80169	SEAT BACK INCLINE PLASTIC COVER (FRONT)	1
96	7CS80170	SEAT BACK INCLINE PLASTIC COVER ®	1
98	7BZR0083	SEAT BOTTOM	1
100	7CS80090	DC CABLE	1

Parts List

Item	Part No.	Description	Qty
101	7SRS0022	HEART RATE SPRING WIRE	1
109	7CBW0103	BRAKE CABLE	1
110	7CBW0104	CONTROL BOARD CABLE	1
111	7PSB0111	MIDDLE SPEED SENSOR WIRE	1
112	7SRS0021	EXTENDED CABLE FOR HAND PULSE	1
113	7BZ7R058	computer cable(top)	1
114	7SRS0016	ALLEN HEAD SCREW	8
116	7SRS0017	SPRING WASHER	12
117	7CS80105	SCREW	10
118	7CS80106	SCREW	2
119	7SRS0018	WASHER	8
120	7CS80108	ALLEN HEAD SCREW	4
121	7CS80109	WASHER	4
122	7CS80110	SCREW	2
123	7CS80111	SCREW	6
130	7CS80118	SCREW	8
131	7CS80119	SCREW	6
132	7CS80120	SCREW	10
133	7CS80121	SCREW	2
134	7CS80123	ASSISTANT PLATE	4
142	7CS80131	SCREW	2
143	7CS80132	SCREW	2
145	7CS80136	WASHER	2
146	7CS80137	SCREW	2
148	7CS80139	WASHER, BRAKE	4
149	7CS80140	SCREW. BRAKE	4
150	7CS80141	HEXAGON NUT, BRAKE/BELT TENSIONER	1
151	7CS80142	SCREW, BRAKE/BELT TENSIONER	1
152	7CS80143	WASHER, RAIL AFFIX	8
153	7CS80144	SCREW, RAIL AFFIX	6
155	7CS80146	HEXAGON NUT, LOWER CONTROL BOARD	2
158	7PSB0049	STEEL SLEEVE	1
159	7CBW0102	SCREW	6
160	7CS80153	ALLEN HEAD SCREW	2
161	7CS80154	SPRING WASHER	2
162	7CS80155	SCREW	1
167	7PSB0062	SCREW	5
168	7PSB0170	SCREW	4
171	7CBW0122	SCREW	4
183	7CS80132	SCREW	2
195	7PSB0195	MODEL NO. STICKER	2

PS900
Exploded Diagram



PS/900

Exploded Diagram

