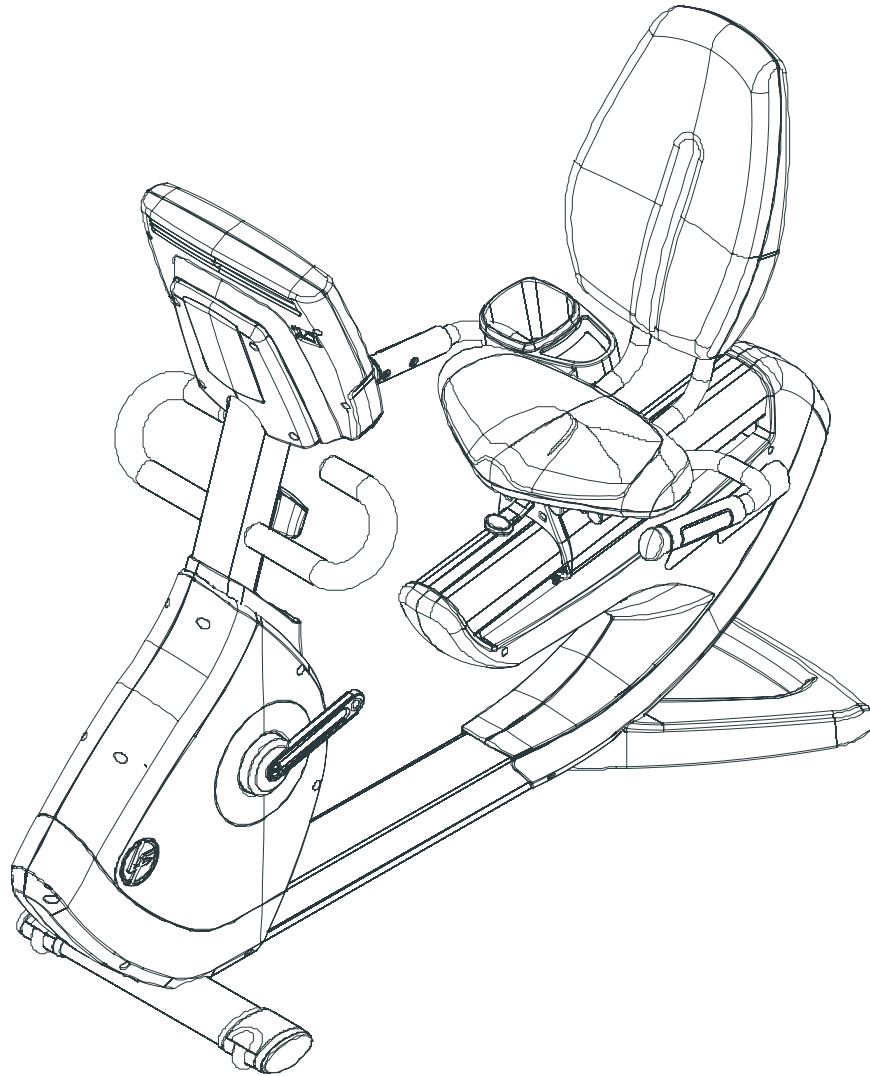


LifeFitness

Elevation Recumbent Bikes
(95R-ALLXX-01)



Customer Support Services
PARTS MANUAL rev 21 May 2009

| | |
|---|----|
| Miscellaneous | 3 |
| Consoles | 4 |
| Monocolumn and Console Support Bracket..... | 5 |
| Shrouds..... | 6 |
| Front Stabilizer Components | 7 |
| Seat Handle Components | 8 |
| Optional Recumbent Arm Rests | 9 |
| Pedals and Cranks | 11 |
| Seat Pad, Back Pad, and Leg Levelers | 12 |
| Extrusion Assembly..... | 13 |
| Carriage Assembly..... | 14 |
| Battery and Power Bracket Assembly | 15 |
| Idler Assembly | 16 |
| Generator and GBC Assembly | 17 |
| Pulley, Bearing Housing, and Belt | 18 |
| Cables | 19 |

| Description | Part No. |
|--|--|
| OPERATION MANUAL - (Eng) | 0KCD-02001-0000 |
| 36V EXTERNAL POWER SUPPLY STANDARD FOR UNITS EQUIPPED WITH 15" LCD CONSOLES: 36V POWER SUPPLY LINE CORD DOM 10A, 125V LINE CORD CONT 10A, 250V LINE CORD U.K. 10A LINE CORD AUSTRALIA LINE CORD CHINA 10A, 250V OPTIONAL FOR UNITS EQUIPPED WITH 7" LCD OR LED CONSOLES: DOMESTIC KIT (Pwr Supply with Cord) INTERNATIONAL KIT (Pwr Supply with Various Cords) | 0017-00003-1037 0017-00003-0704 0017-00003-0691 0017-00003-0889 0017-00003-0918 0017-00003-1012 LCBCT-DOMLX-01 LCBCT-INTHX-01 |
| ARCTIC SILVER TOUCH UP PAINT: SPRAY CAN .5 OZ BOTTLE W/APPLICATOR .33 OZ PEN | 0017-00008-0204 0017-00008-0205 0017-00008-0206 |
| BRKT ASSY: POWER/COAX INPUT ASSEMBLY CONSISTS OF: 1) POWER COAX BRACKET 2) F-TYPE PANEL CONNECTOR 3) RECEPTACLE PHONE JACK PANEL | AK66-00036-0000 0K66-01063-0000 0017-00021-2846 0017-00021-2847 |
| HARDWARE BAG | AK66-00079-0000 |

Model 95R-ALLXX-01 recumbent bike is available with either of these kits:
 RECBNT-HANDLEBAR
 RECBNT-ARMREST



7-inch Inspire LCD console



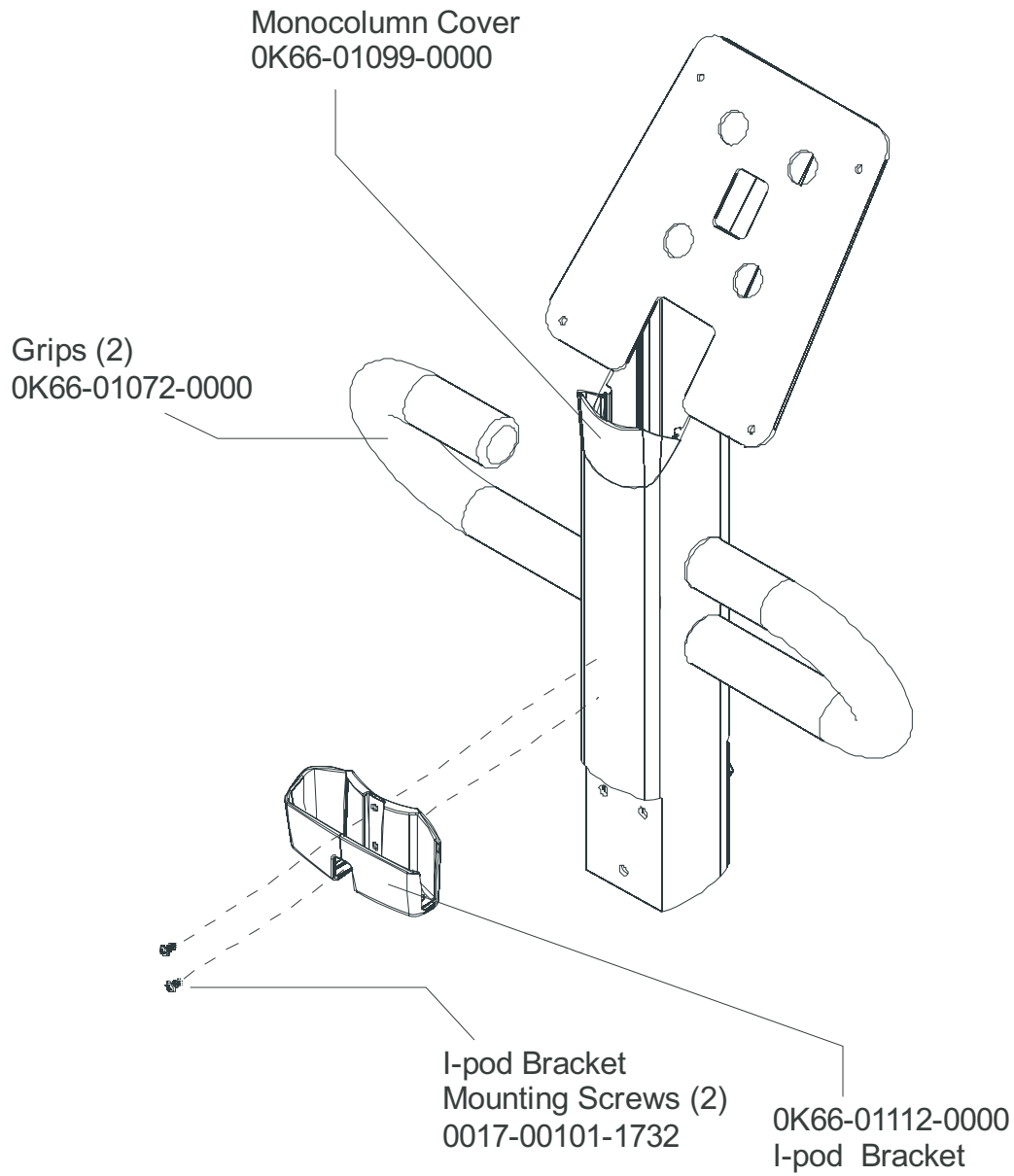
15-inch Engage LCD console

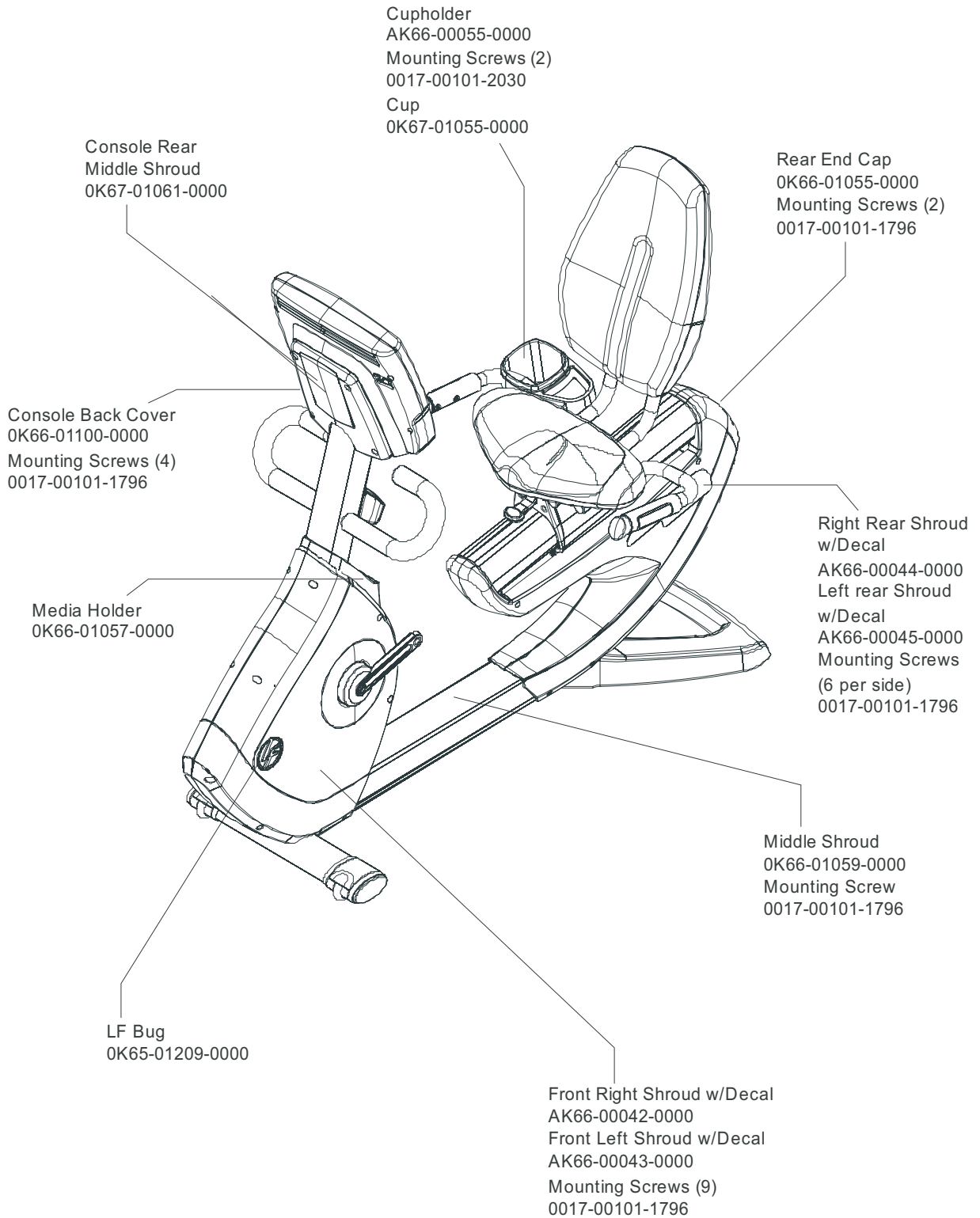


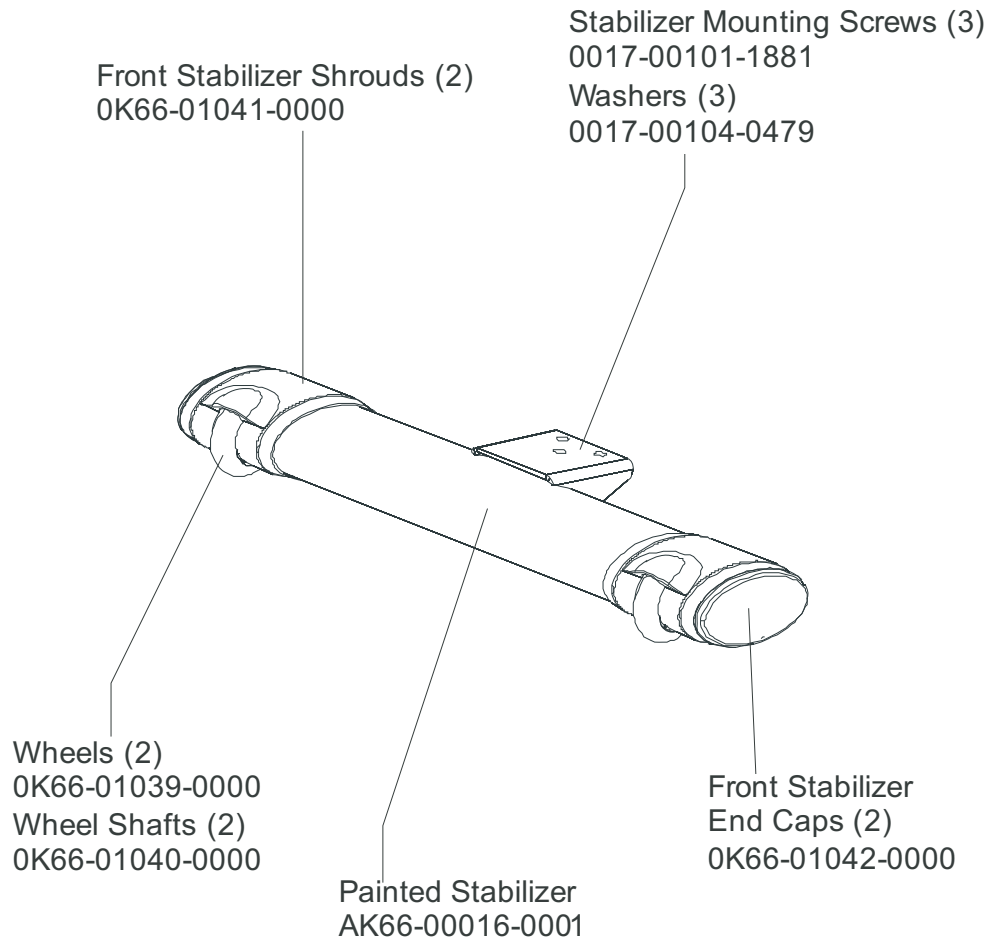
Achieve LED console

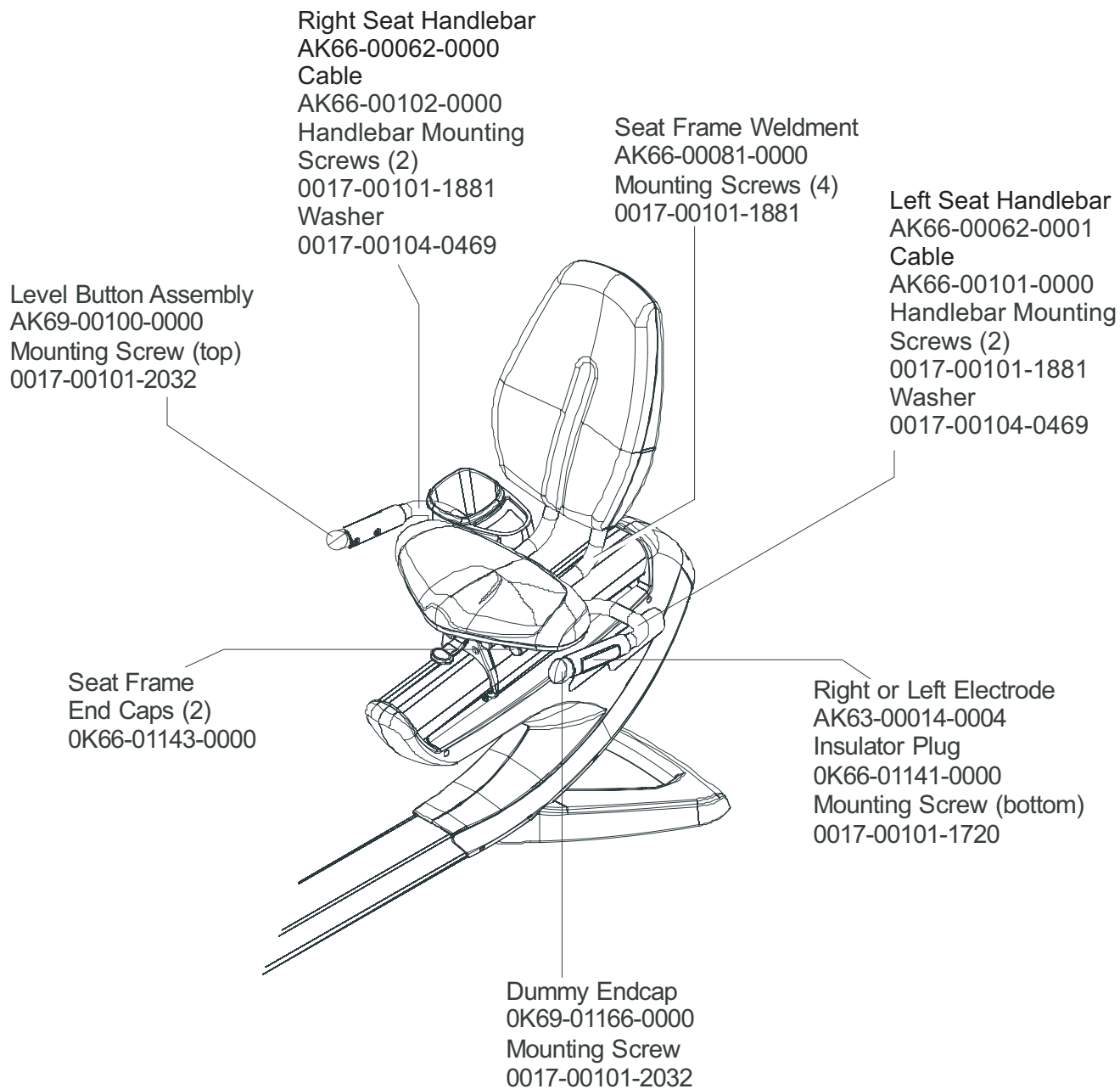
| Console Assemblies | |
|--|----------------|
| Description | Part No. |
| 7-INCH LCD BIKE/CT CONSOLE | 07DN-ALLXX-01 |
| 7-INCH LCD BIKE/CT CONSOLE (REFURBISHED) | 07DN-ALLXX-01R |
| 15-INCH LCD BIKE/CT CONSOLE - NTSC | 15DN-ALLXN-01 |
| 15-INCH LCD BIKE/CT CONSOLE - NTSC (REFURBISHED) | 15DN-ALLXN-01R |
| 15-INCH LCD BIKE/CT CONSOLE - PAL | 15DN-ALLXP-01 |
| 15-INCH LCD BIKE/CT CONSOLE - PAL (REFURBISHED) | 15DN-ALLXP-01R |
| LED BIKE/CT CONSOLE - DOMESTIC | LEDN-DOMXX-01 |
| LED BIKE/CT CONSOLE - INTERNATIONAL | LEDN-INTXX-01 |
| LED BIKE/CT CONSOLE - INTERNATIONAL IFI | LEDN-IFIXX-01 |

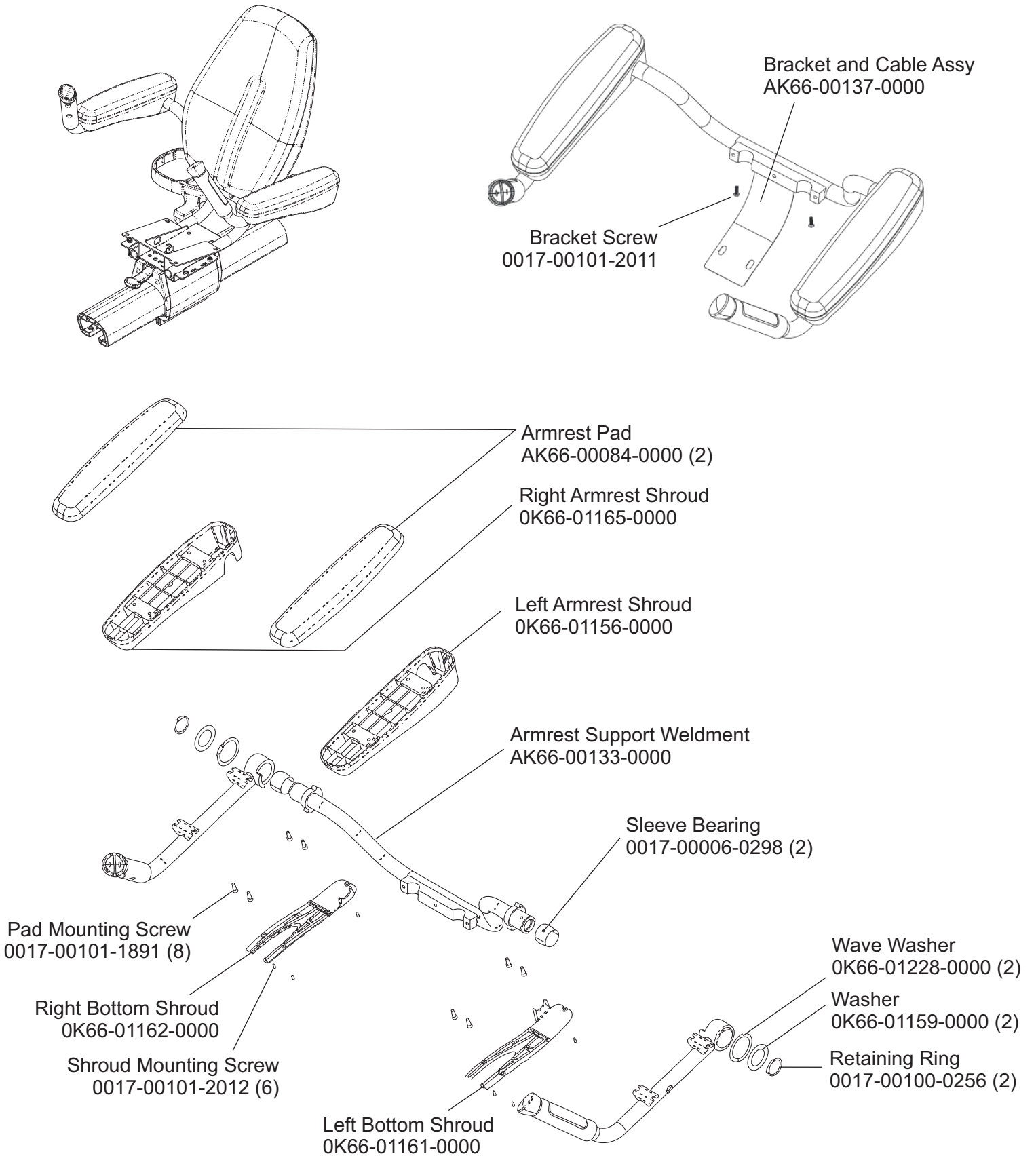
Monocolumn Assembly
AK66-00038-0000
(includes all components shown)

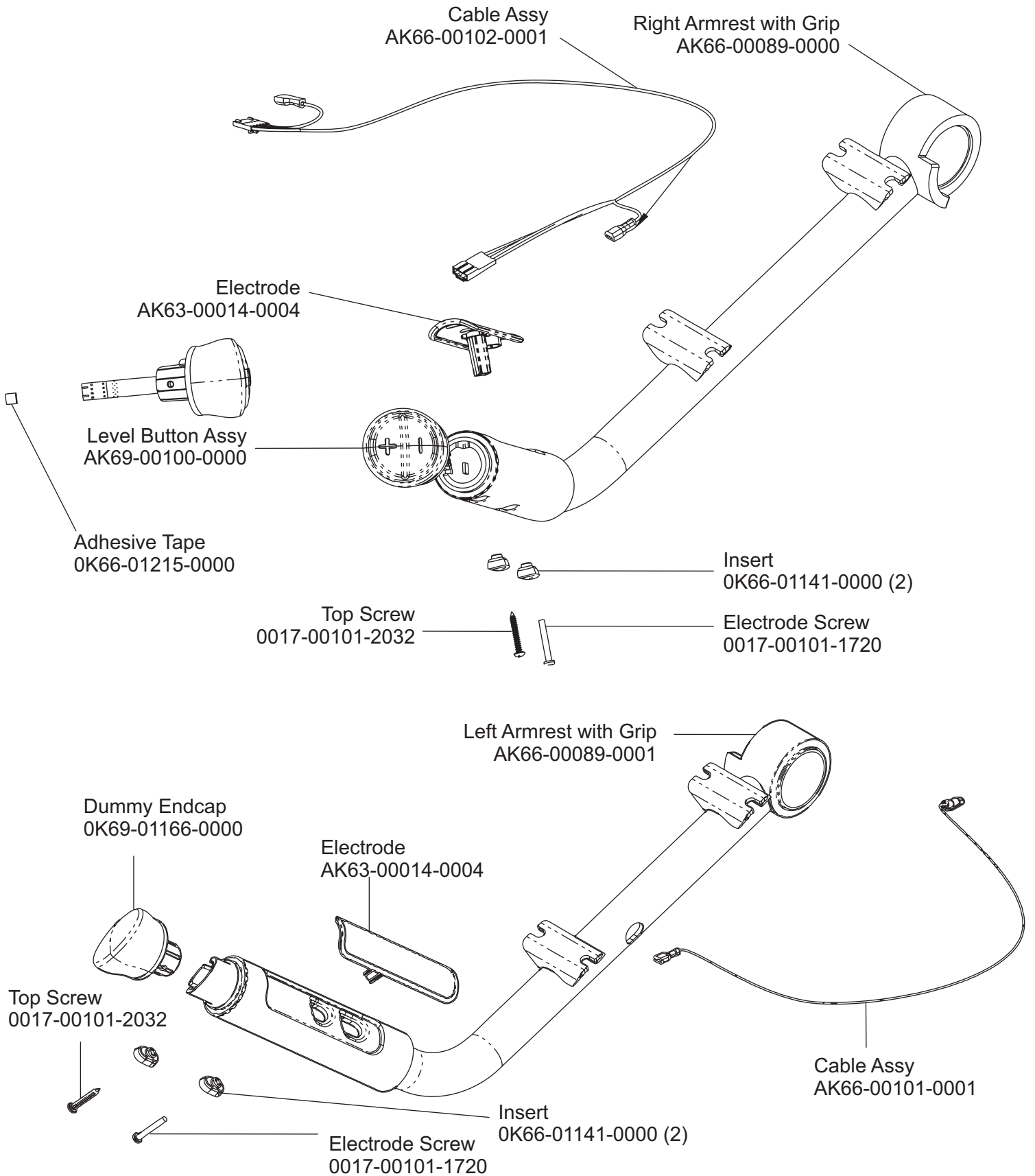


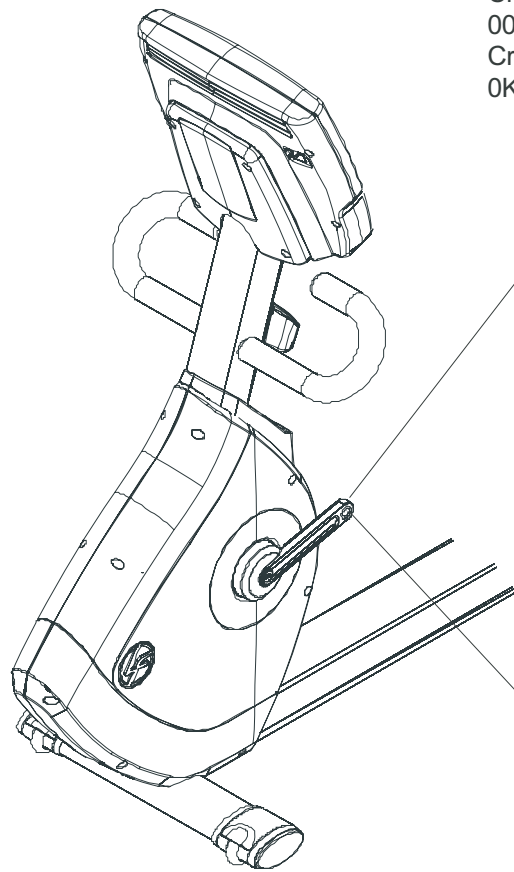






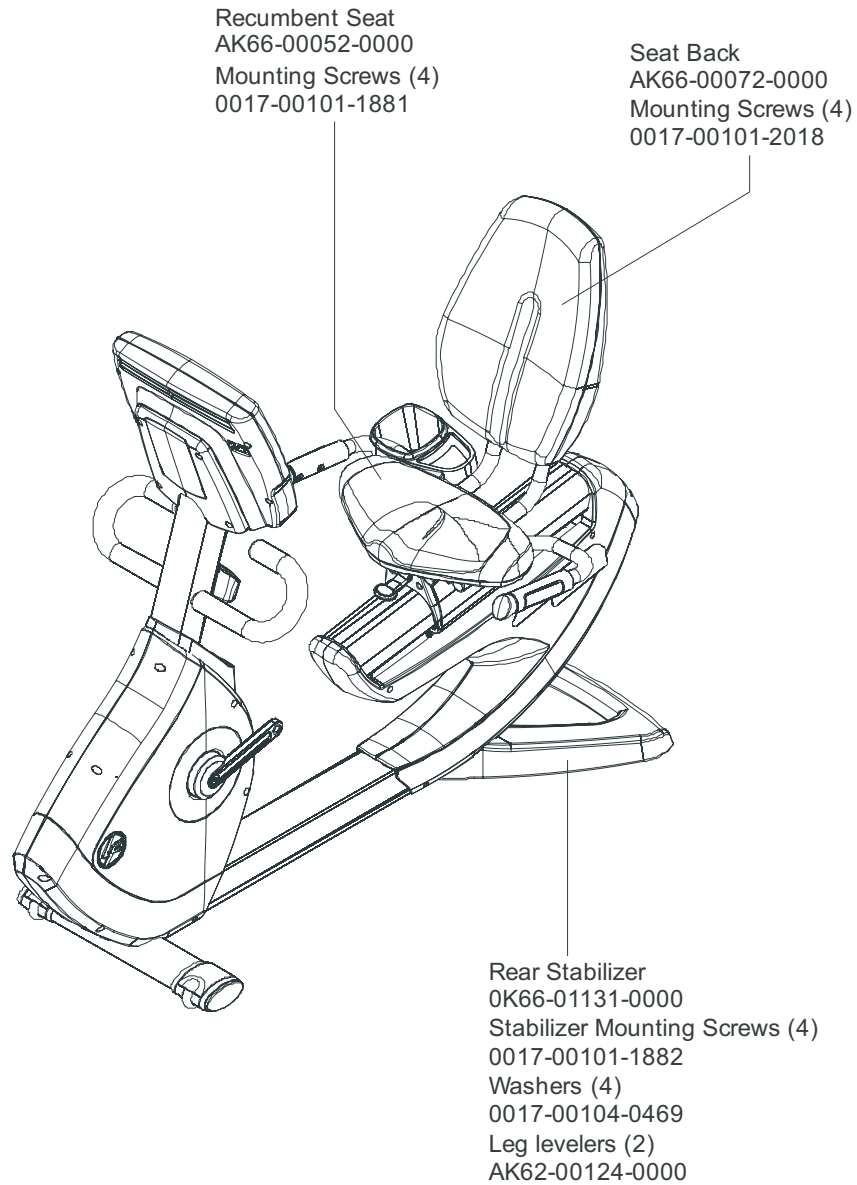


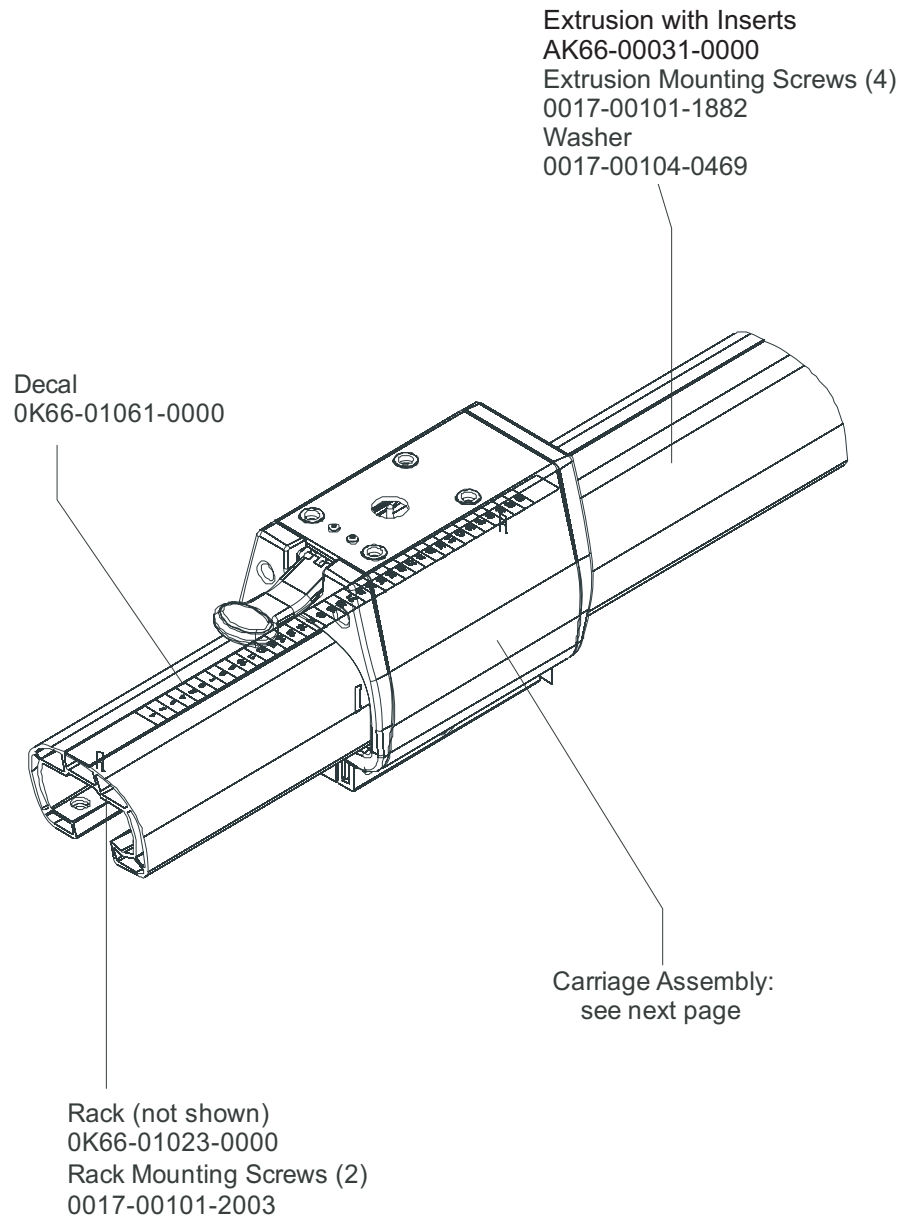


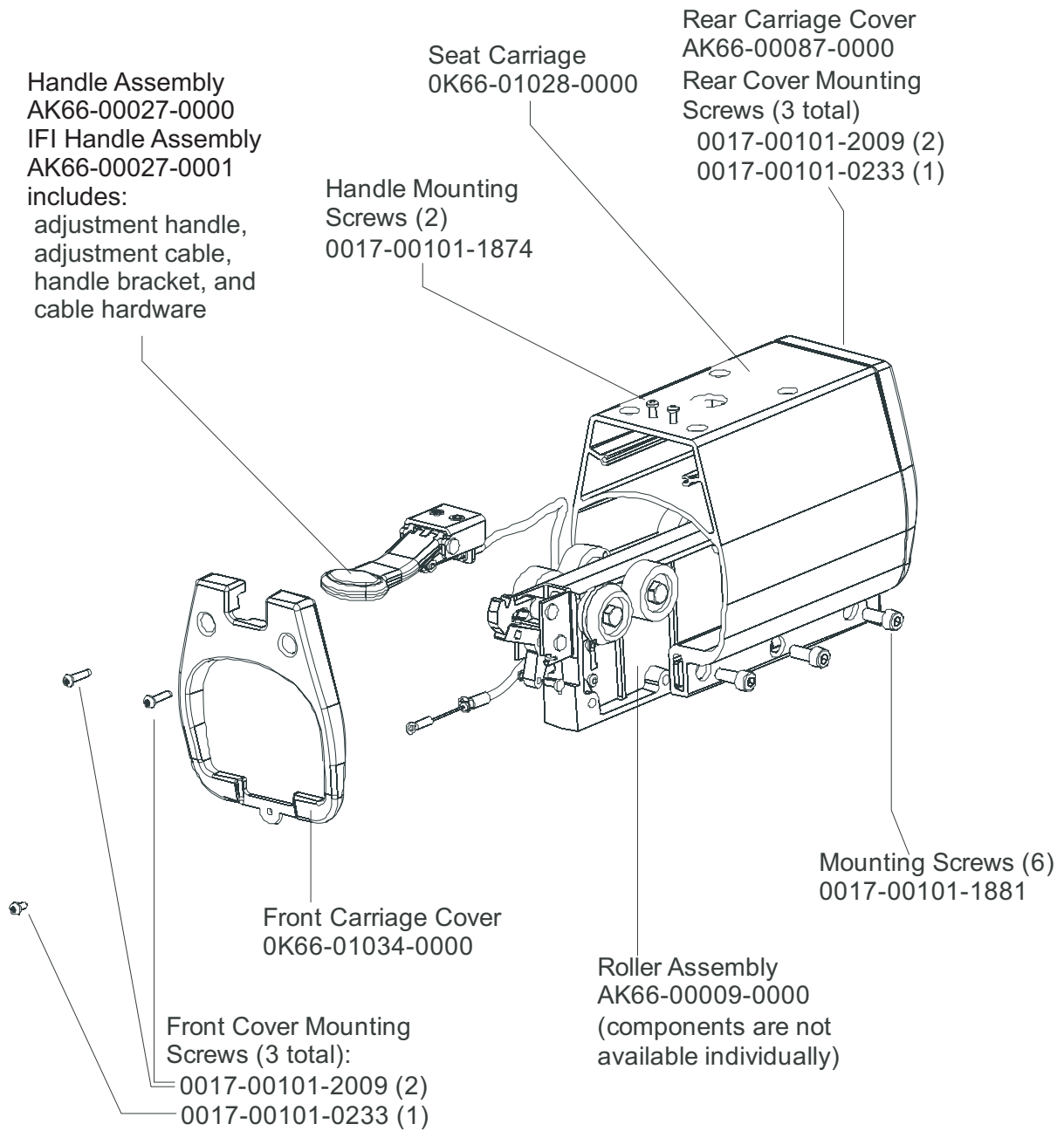


Right Crank Arm
0K66-01006-0003
Left Crank Arm
0K66-01006-0004
Crank Connector Plate
0K66-01096-0000
Crank Screw
0017-00101-2033
Crank Cap
0K66-01121-0000

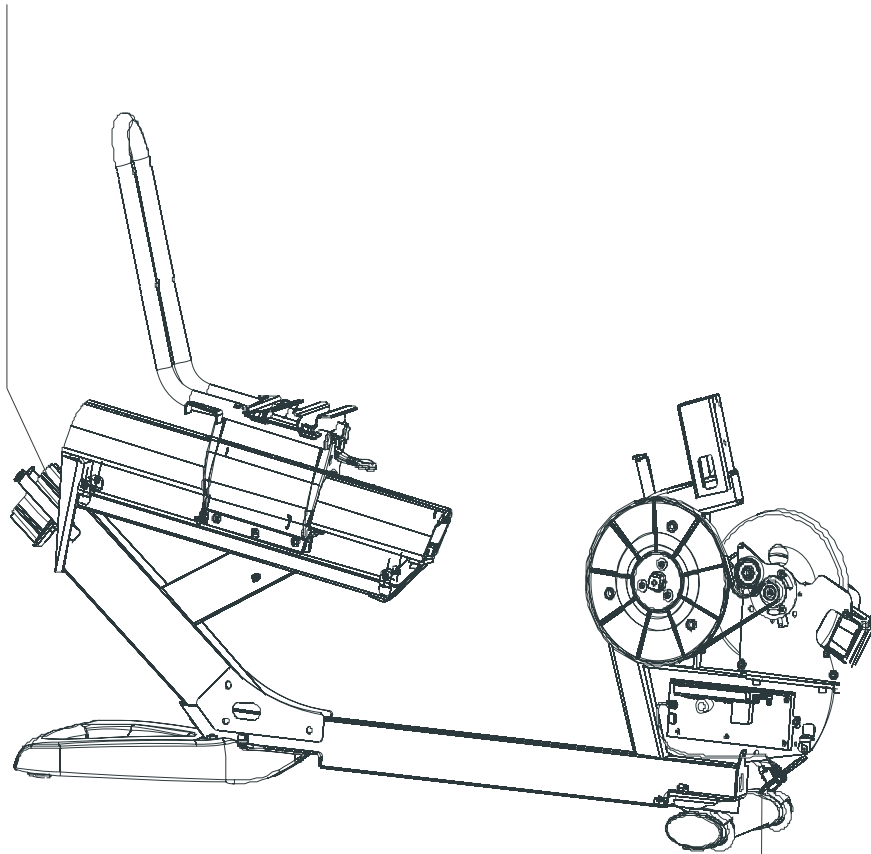
Right Pedal w/Strap
AK66-00047-0001
AK66-00092-000 (IFI)
Left Pedal w/Strap
AK66-00048-0001
AK66-00093-0000 (IFI)



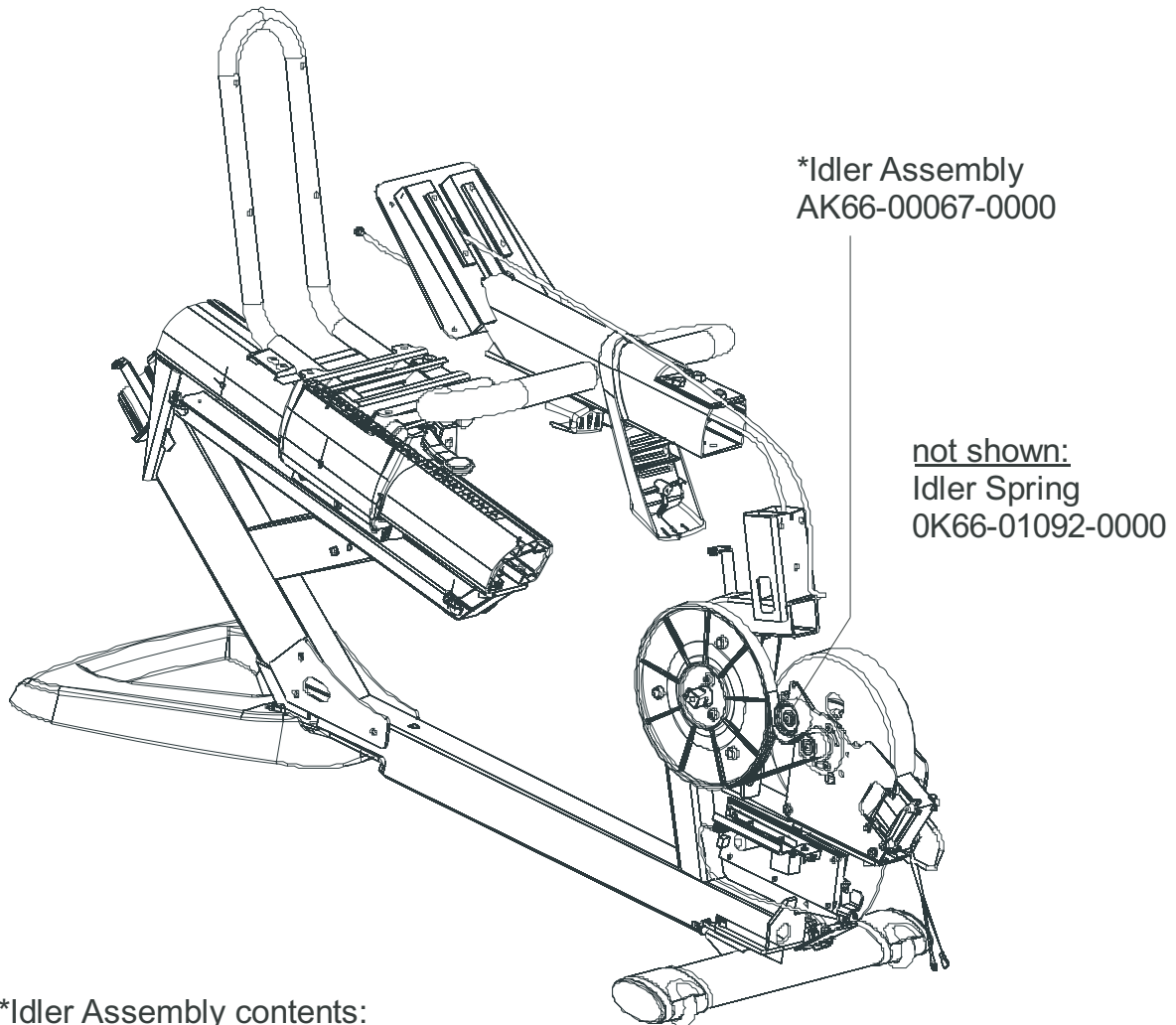




6V Battery
0017-00003-0685
Battery Mounting Screws (2)
0017-00101-1796



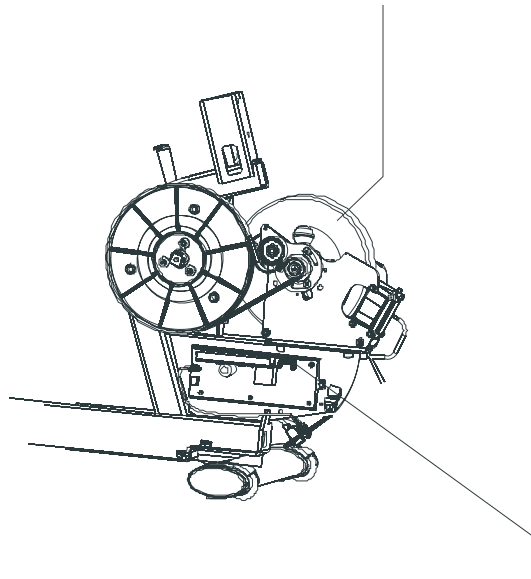
Power/Coax Bracket
AK66-00036-0000



*Idler Assembly contents:

- Idler Bracket (1)
AK66-00122-0000
- Idler Bearing (1)
AK66-00066-0000
- Nut (1)
0017-00103-0338

Generator/Brake
Pulley Assembly
AK66-00123-0000
Mounting Screws (4)
0017-00101-1920
Washers (4)
0017-00104-0479

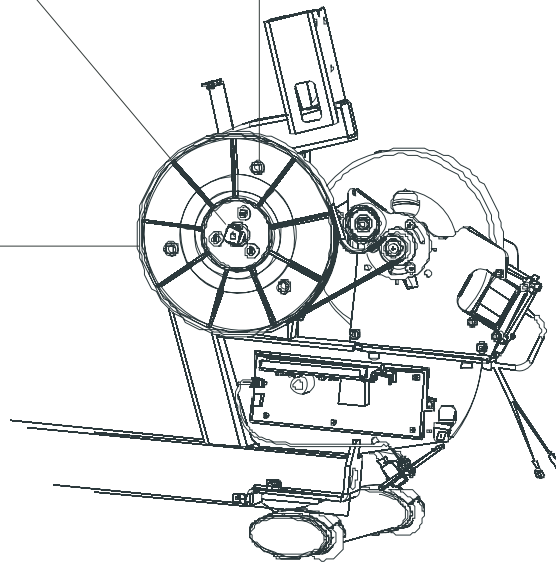


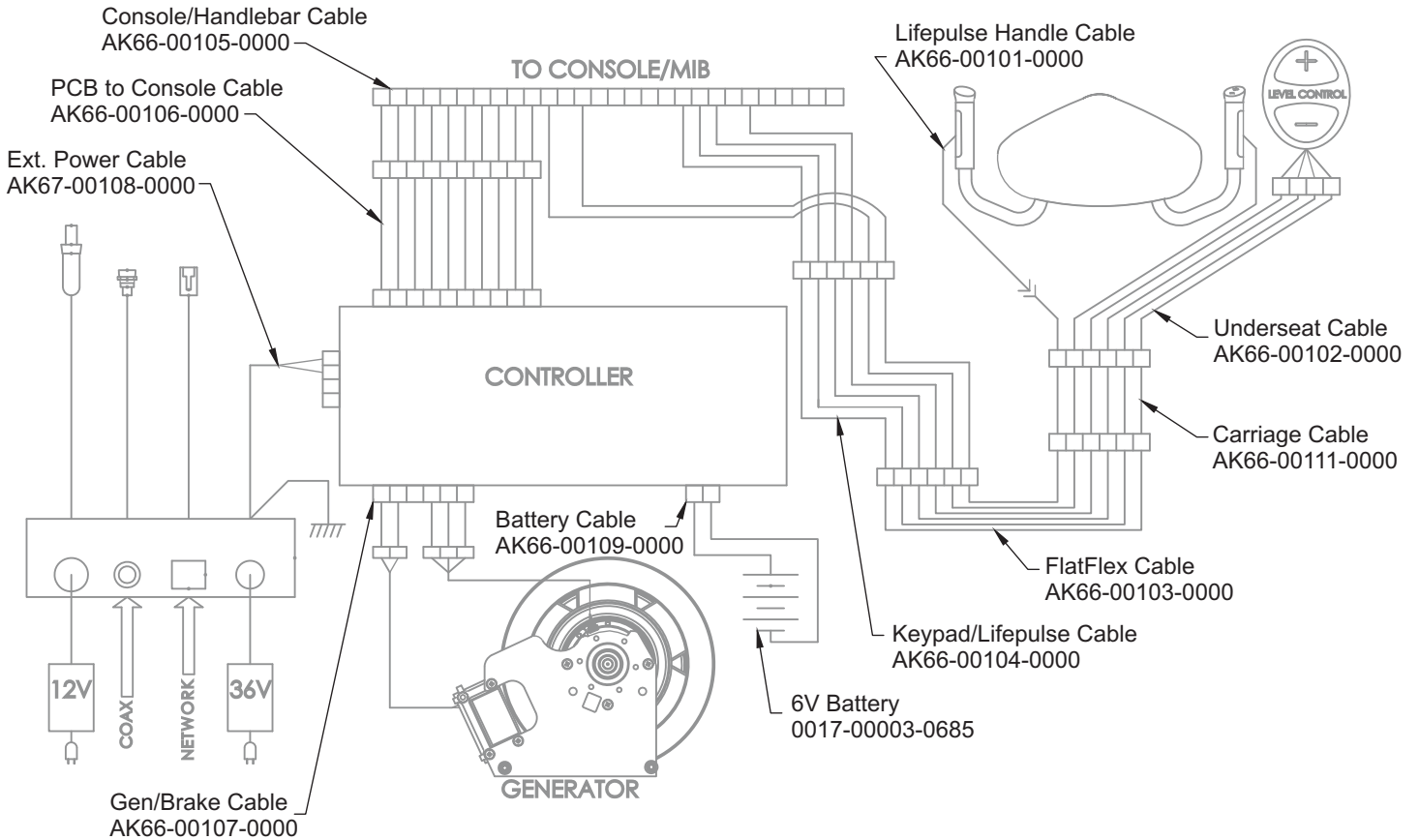
Power PCB and Bracket
Assembly with Software
AK66-00100-0002
Mounting Screw
0017-00101-1986

Crank-Hub/Bearing/Shaft Assembly
AK66-00003-0001
Crank Hub Mounting Screw
0017-00101-1881
Washers (3)
0017-00104-0469

Crank Pulley
0K66-01005-0000
Pulley Mounting Screws (3)
0017-00101-1891
Washers (3)
0017-00104-0468

Poly-V Belt
0017-00009-0837





| Cables | |
|--|-----------------|
| Description | Part No. |
| ETHERNET CABLE ASSEMBLY (A8 - Phone jack connector) | AK32-00019-0001 |
| COAX CABLE, 90" (A9) | AK32-00020-0001 |
| POWER EXTENSION CABLE, 120" (A10 - External Power to TV) | AK32-00078-0001 |
| SEAT ADJUSTMENT FLEX CABLE | AK66-00103-0001 |
| LP/LC CABLE ASSEMBLY | AK66-00104-0000 |
| CONSOLE/HANDLE BAR CABLE ASSEMBLY | AK66-00105-0000 |
| BATTERY CABLE ASSEMBLY (A6 - Battery to GBC) | AK66-00109-0000 |
| RECURBENT CARRIAGE CABLE ASSEMBLY | AK66-00111-0000 |
| CONSOLE UPRIGHT CABLE ASSEMBLY (CONSOLE TO GBC) | AK67-00106-0000 |
| GENERATOR/BRAKE CABLE ASSEMBLY (A5 - Generator to GBC) | AK66-00107-0000 |
| External power cable Assembly (A3 - External Power to console) | AK67-00108-0000 |