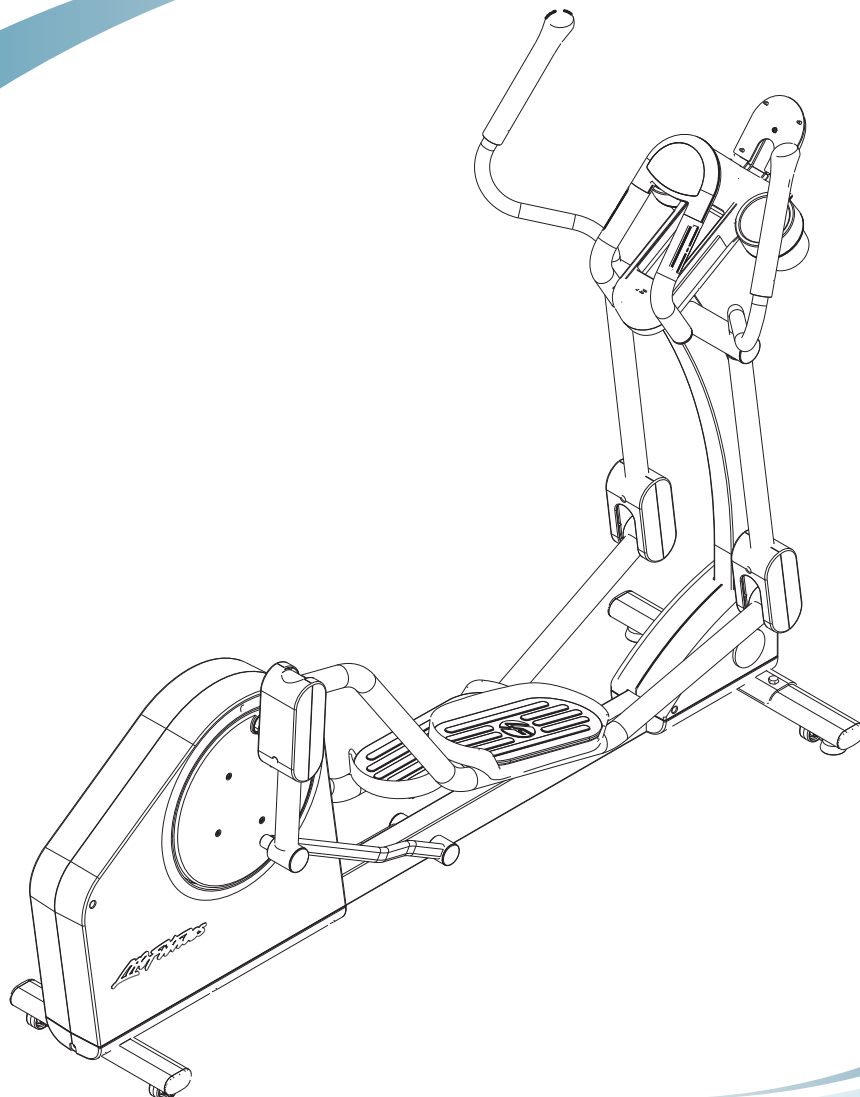


X3 Consumer Elliptical Cross Trainer

May 27, 2009

CUSTOMER SUPPORT SERVICES
Parts List



LifeFitness
WHAT WE LIVE FOR

MISCELLANEOUS..... Page 3

UPRIGHTS AND RELATED COMPONENTS..... Page 4

ROCKER ARMS AND CLEVIS COVERS..... Page 5

PEDAL LEVER ASSEMBLIES AND COMPONENTS.... Page 6

MAIN SHROUDS AND CRANK COVER..... Page 7

IDLER AND COUPLER ASSEMBLIES..... Page 8

CRANK COMPONENTS..... Page 9

BRAKE AND TENSIONER COMPONENTS..... Page 10

MOTOR, REED SWITCH AND CABLES..... Page 11

WIRING DIAGRAM..... Page 12

IMAGE..... Page 13

Console part numbers:

BAS-000X-0203	BASIC BIKE/CT CONSOLE ENG
BAS-020X-0203	BASIC BIKE/CT CONSOLE GER/MET
ADV-000X-0203	ADV BIKE/CT CONSOLE ENG
ADV-020X-0203	ADV BIKE/CT CONSOLE GER/MET

Transformer part numbers:

8071301	TRANSFORMER, 100-240V, 1.5A, DOM
8071401	TRANSFORMER, 230/50-9VDC, 1.5A, CONT
8071501	TRANSFORMER, 230/50-9VDC, 1.5A, UK
8071601	TRANSFORMER, 240/50-9VDC, 1.5A, AUST

Hardware Bag part number:

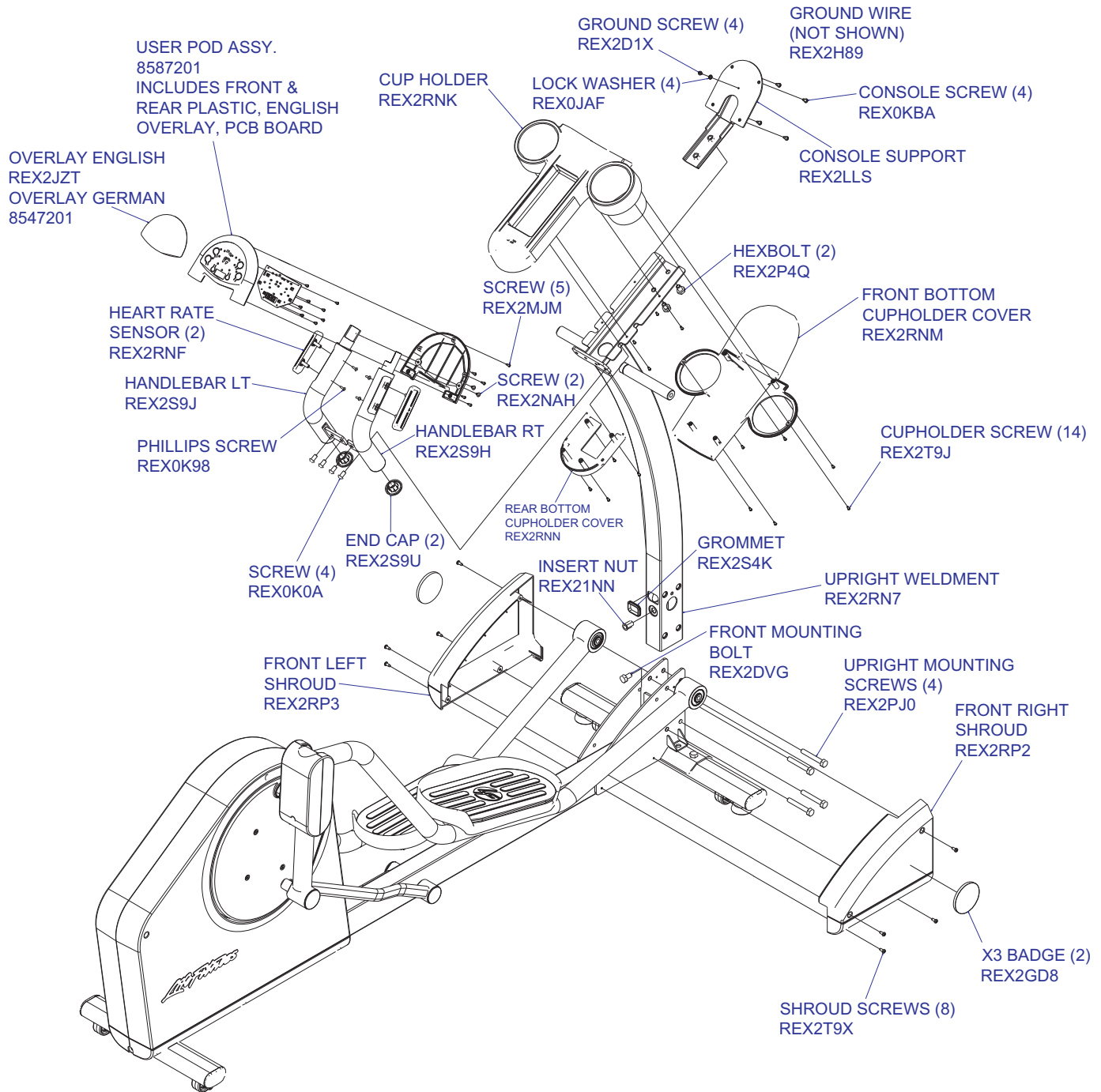
8586201	SERV ASSY, HARDWARE BAG X3
---------	----------------------------

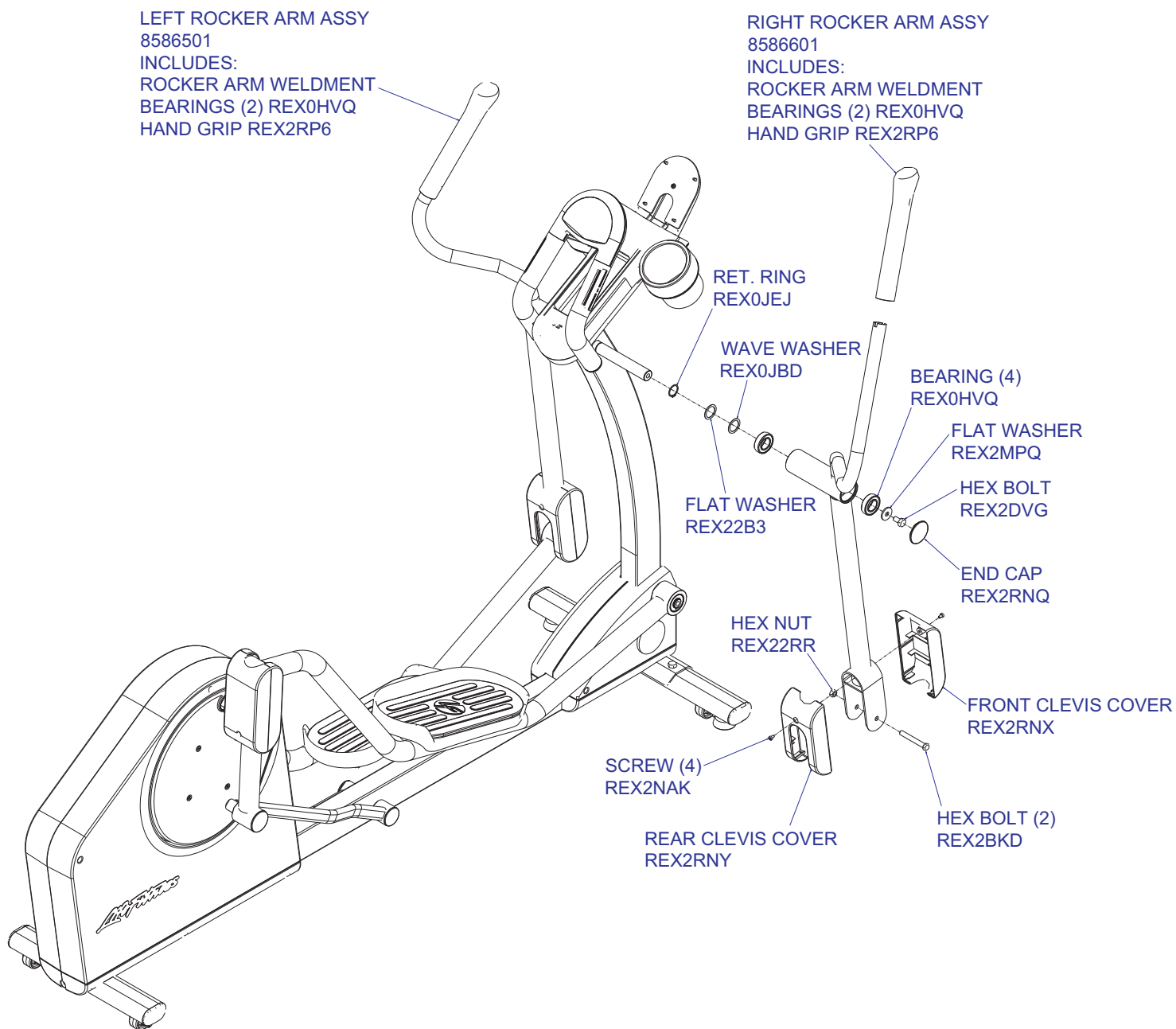
Manual part number:

8592001	MANUAL USER X3 (ENGLISH)
---------	--------------------------

X3 Consumer Cross Trainer Uprights and Related Components

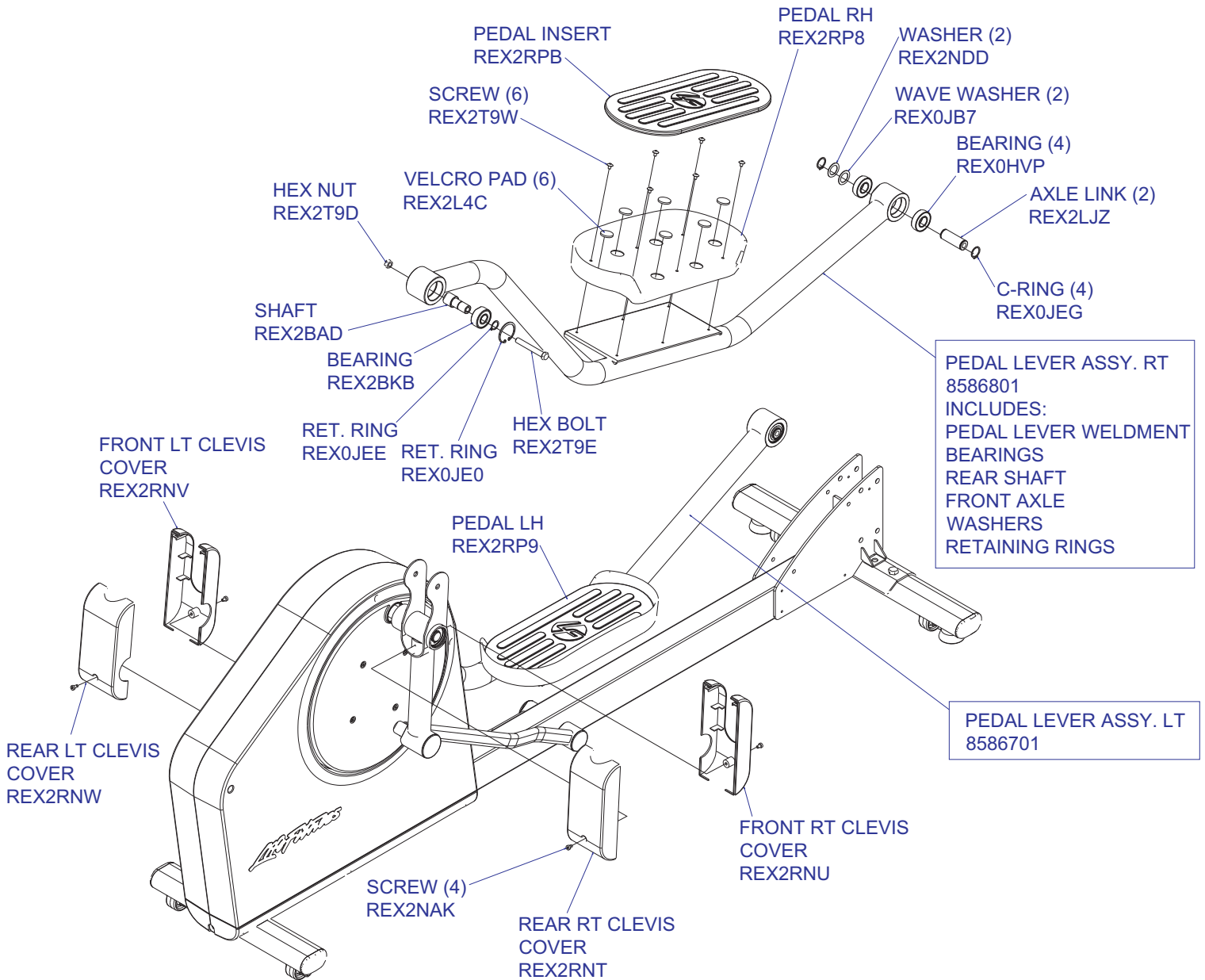
X3-XX00-0203
S/N

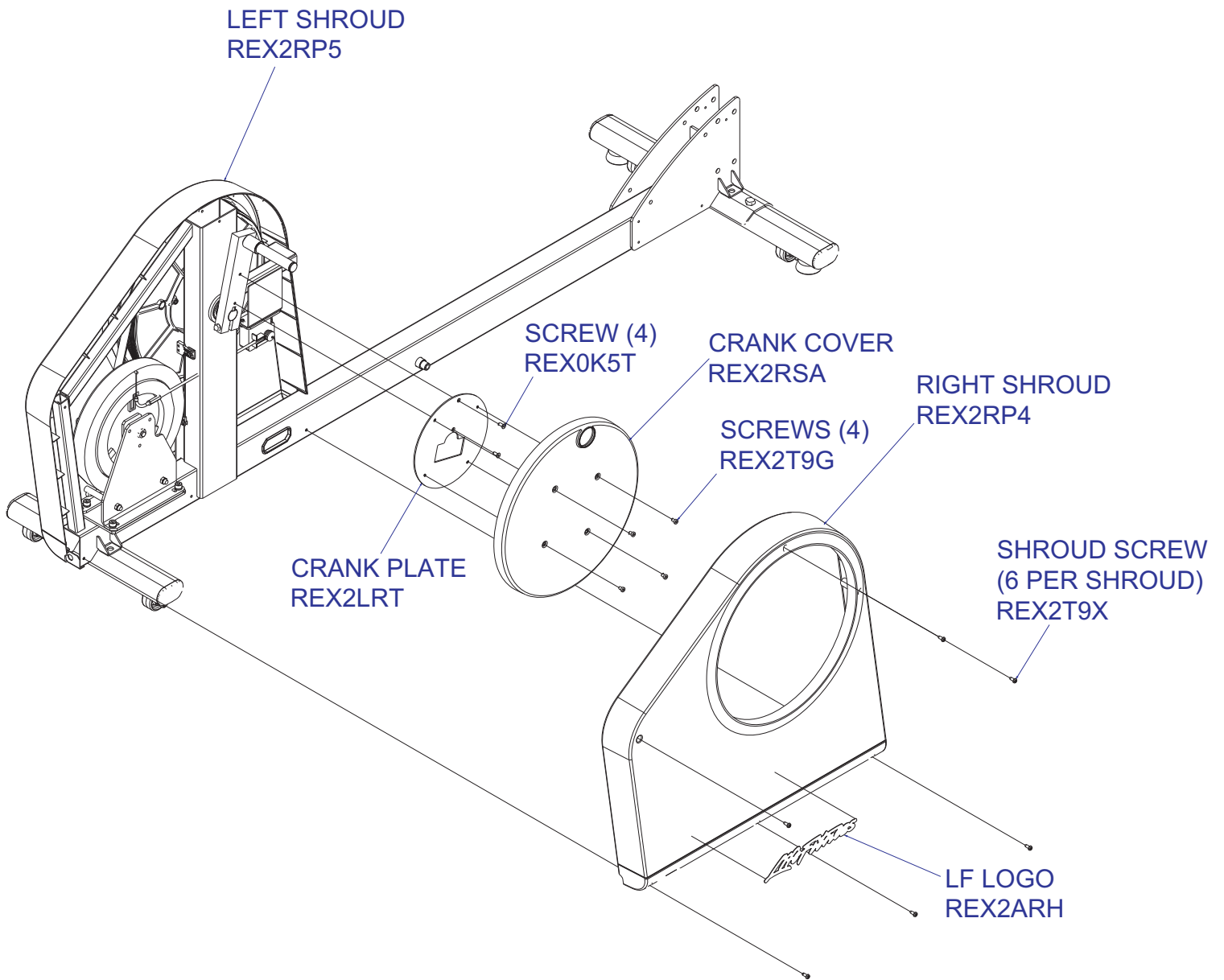




X3 Consumer Cross Trainer Pedal Lever Assemblies and Components

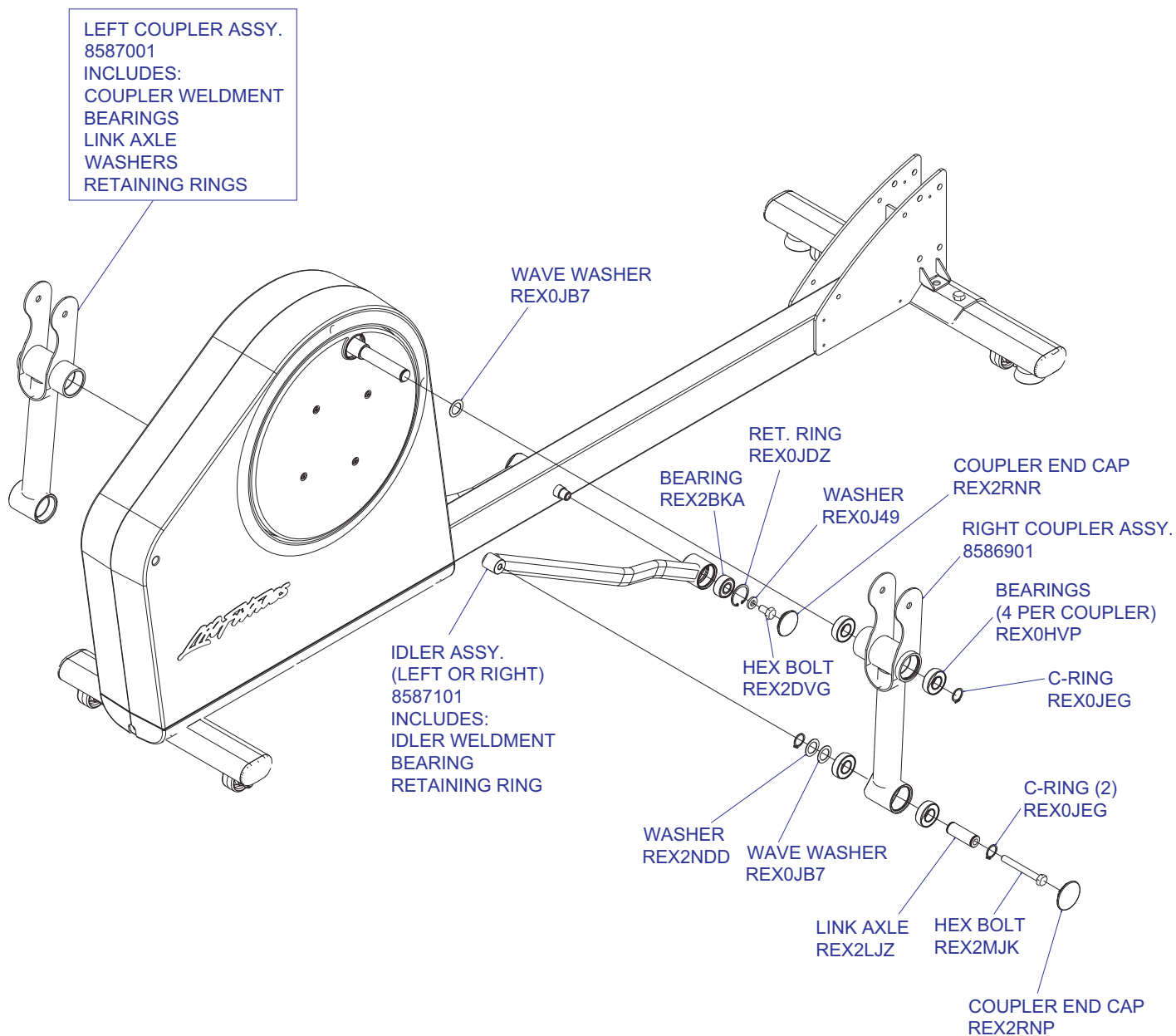
X3-XX00-0203
S/N





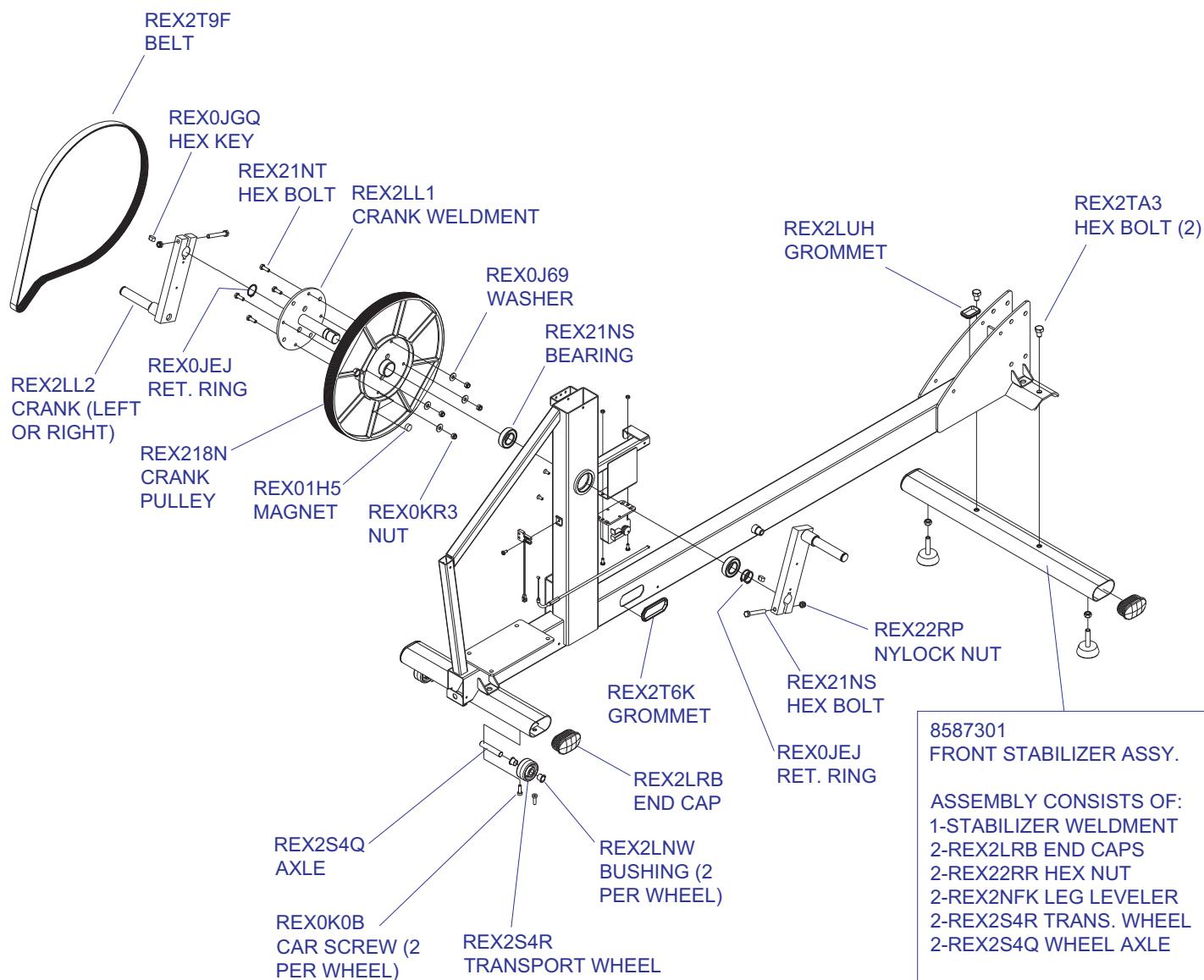
X3 Consumer Cross Trainer Idler and Coupler Assemblies

X3-XX00-0203
S/N



X3 Consumer Cross Trainer Crank Components

X3-XX00-0203
S/N



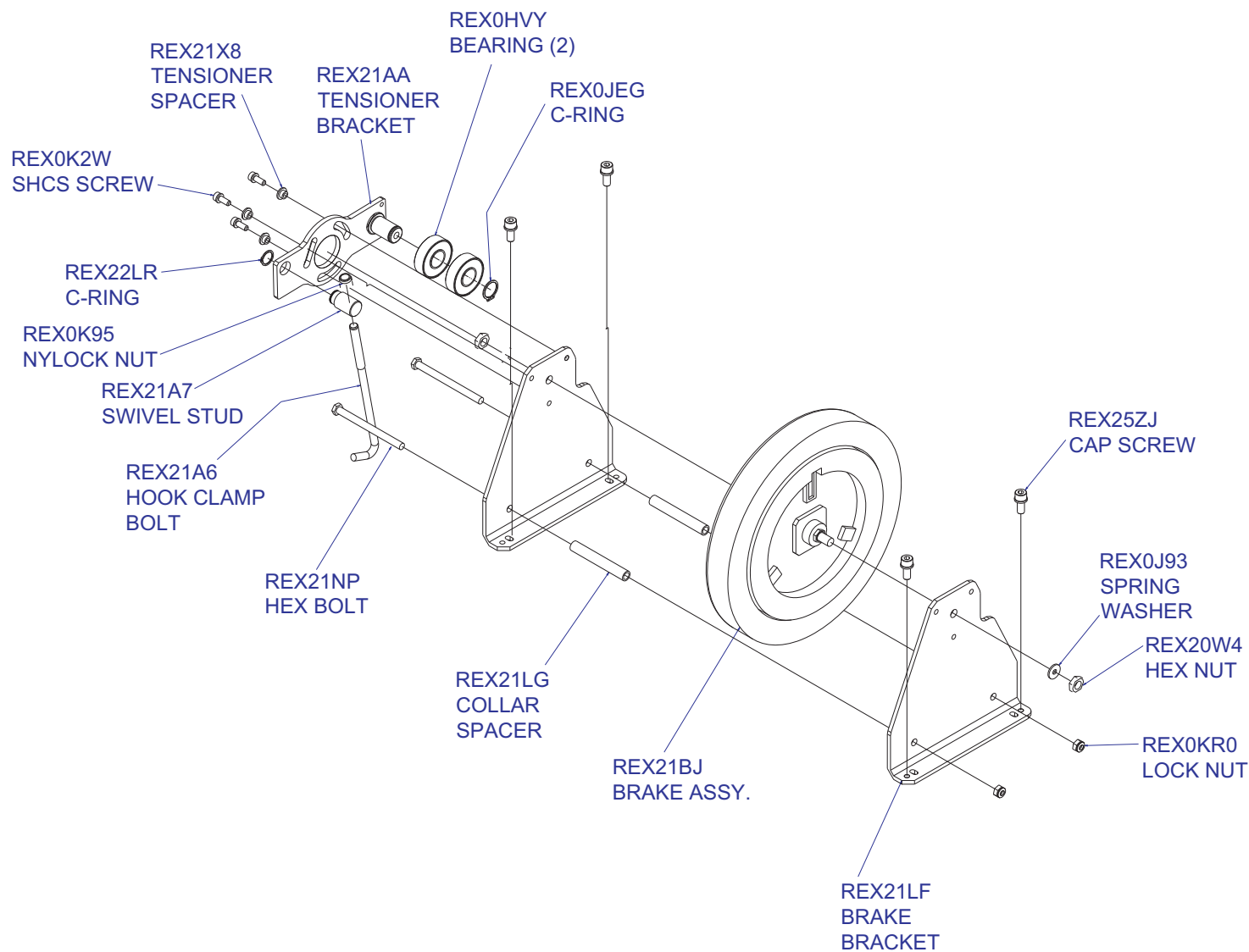
8587301
FRONT STABILIZER ASSY.

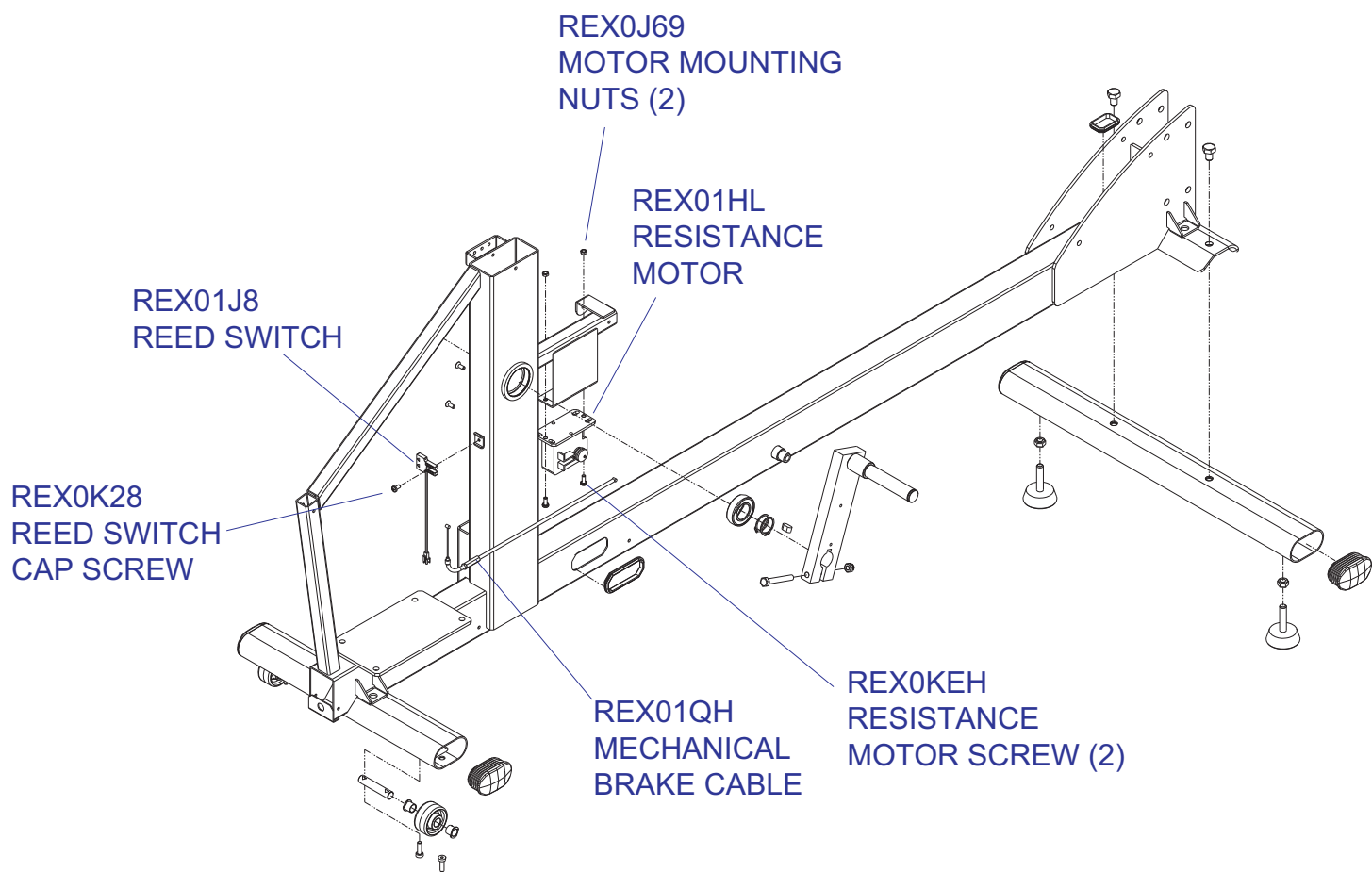
ASSEMBLY CONSISTS OF:
1-STABILIZER WELDMENT
2-REX2LRB END CAPS
2-REX22RR HEX NUT
2-REX2NFK LEG LEVELER
2-REX2S4R TRANS. WHEEL
2-REX2S4Q WHEEL AXLE

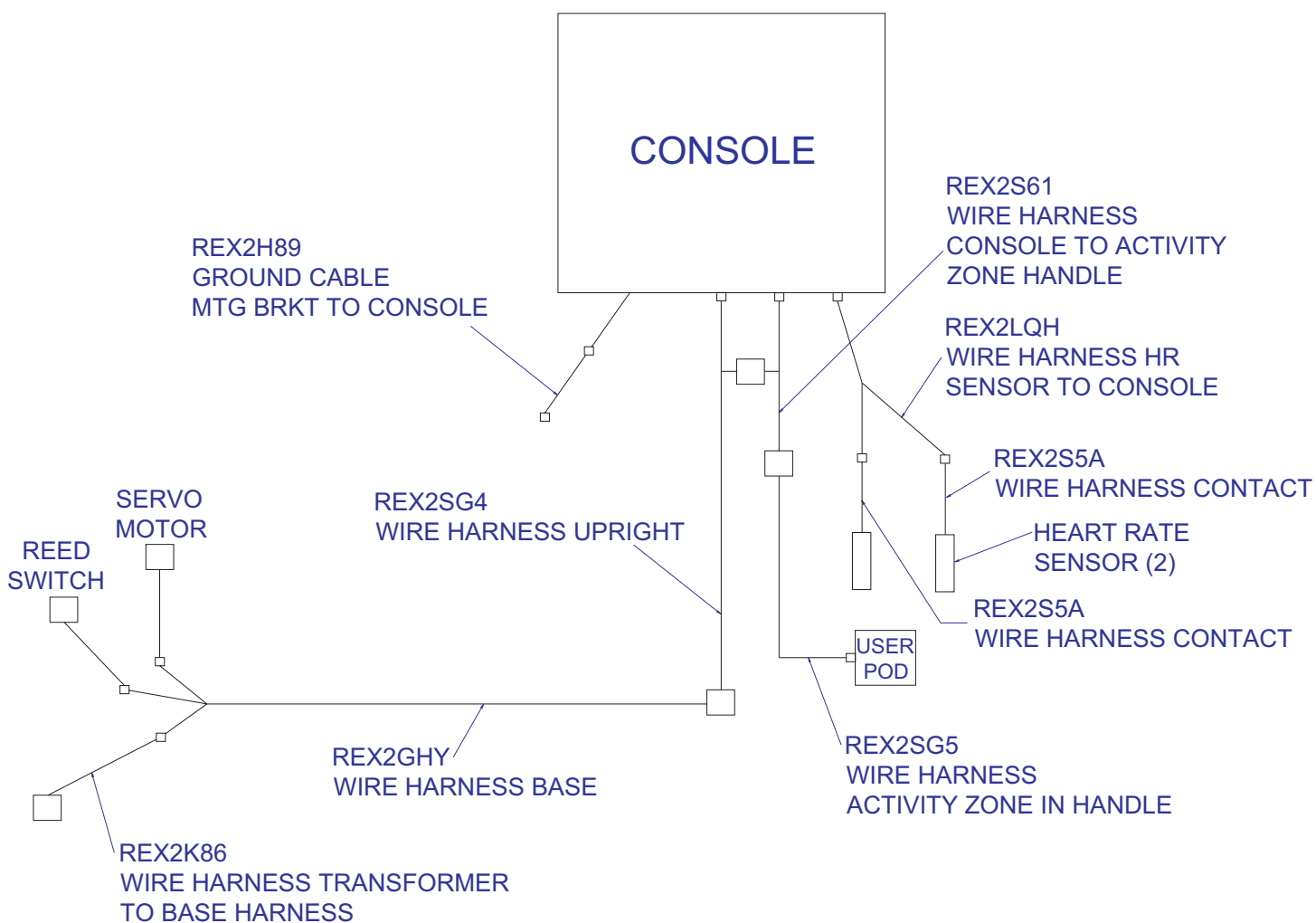
STABILIZER COMPONENTS CAN
BE ORDERED SEPARATELY.

X3 Consumer Cross Trainer Brake and Tensioner Components

X3-XX00-0203
S/N









Shown with Advanced Console