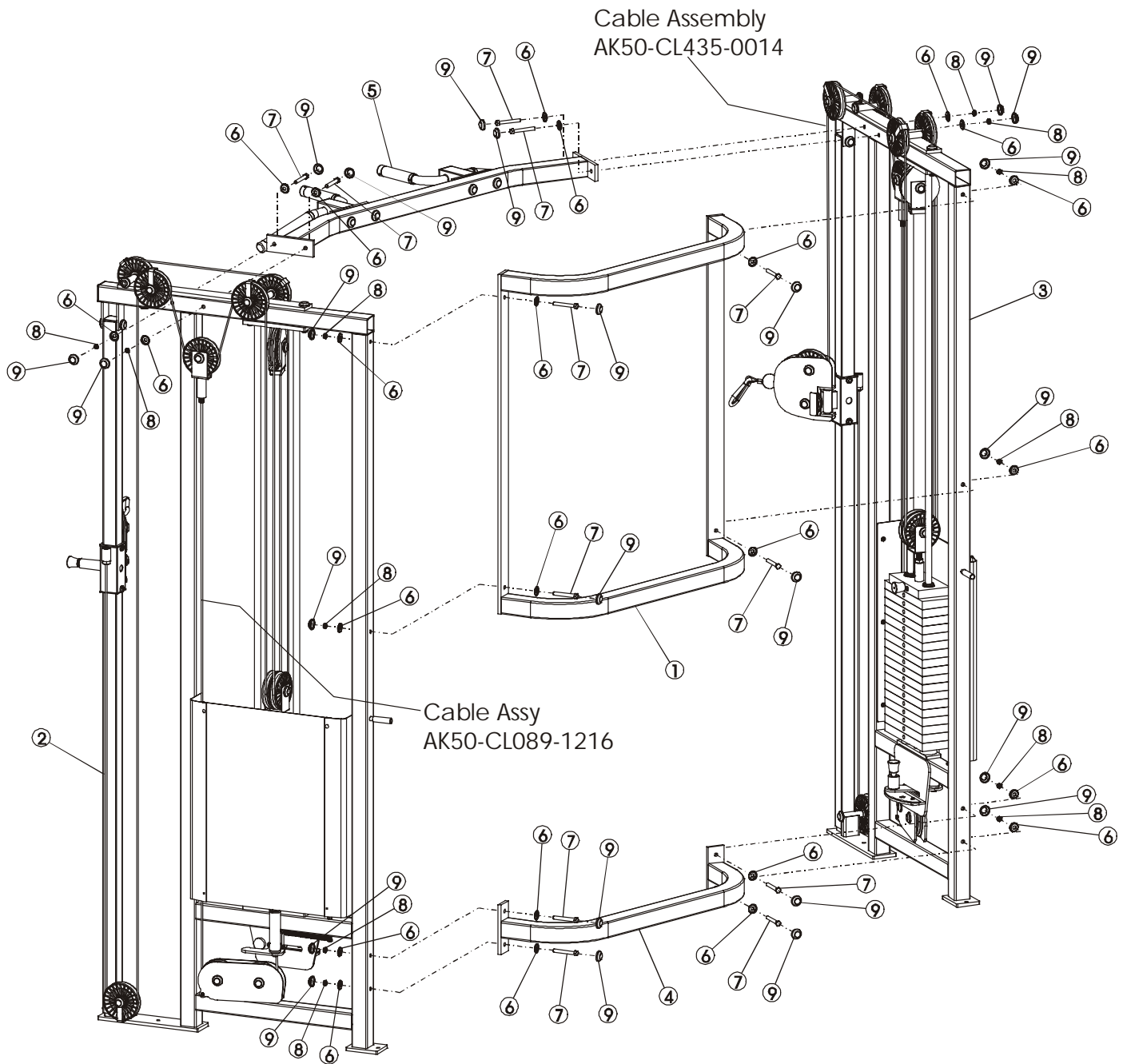


STRENGTH 9000 SERIES TRAINING EQUIPMENT

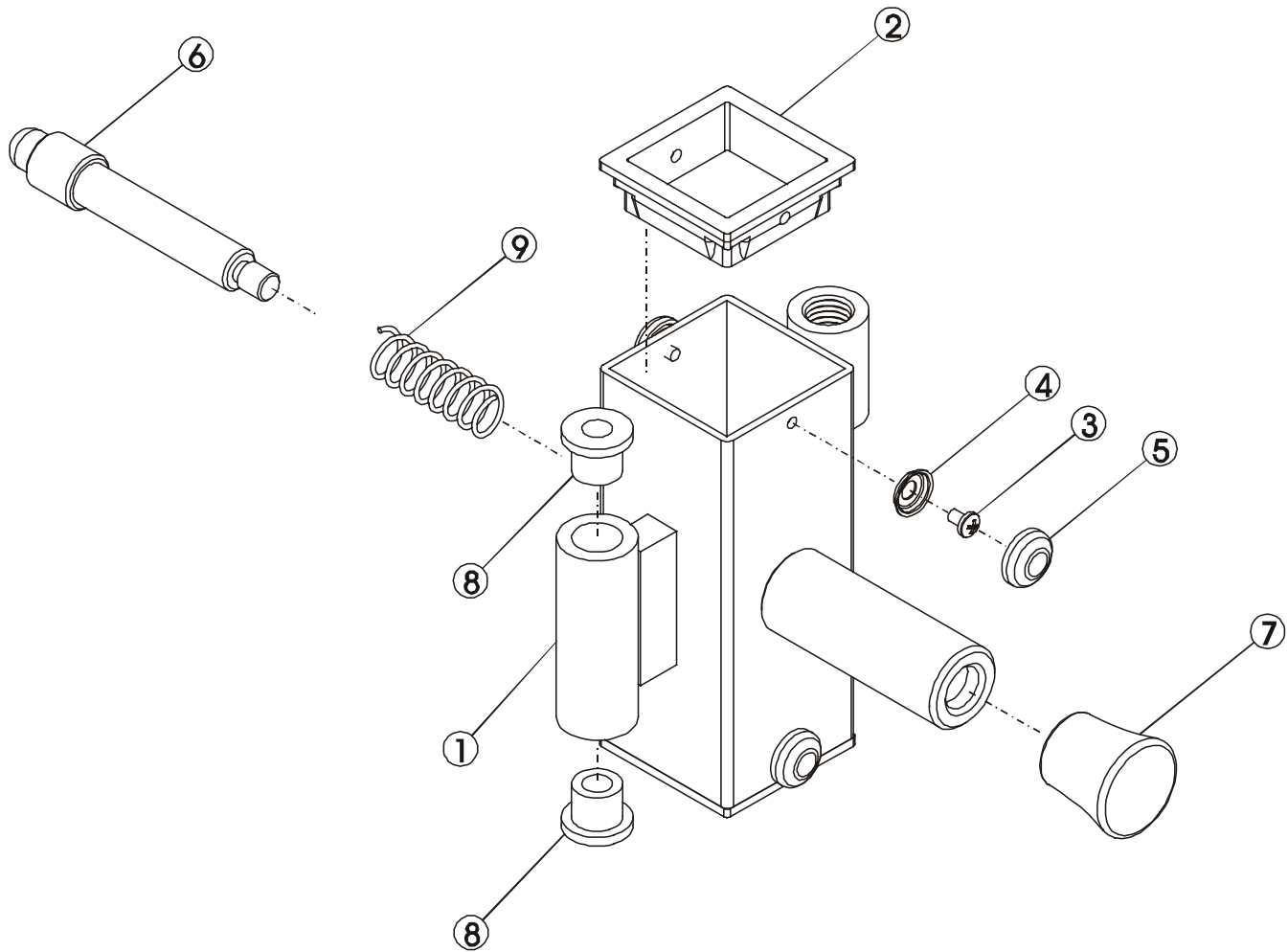
SM22 Dual Adjustable Pulley



ITEM NO.	QTY.	PART NO.	DESCRIPTION
1	1	SM22-S0003-0000	REAR FRAME - WELDED ASSY
2	1	SM22-A0002-0000	FRAME ASSY - RT
3	1	SM22-A0003-0000	FRAME ASSY - LT
4	1	SM22-S0006-0000	REAR FRAME, LOWER -
5	1	SM22-A0006-0000	PULL UP BAR ASSY
6	24	0017-00104-0368	CAPLUG WASHER; RHW 205
7	12	0017-00101-1408	3/8 - 16 X 44 UNS HEX BLT G5 ZN
8	12	0017-00103-0217	NUT 3/8 - NYLOC; THIN NY NO
9	24	0017-00042-0969	CAPLUG CAP; RH-20

STRENGTH 9000 SERIES TRAINING EQUIPMENT

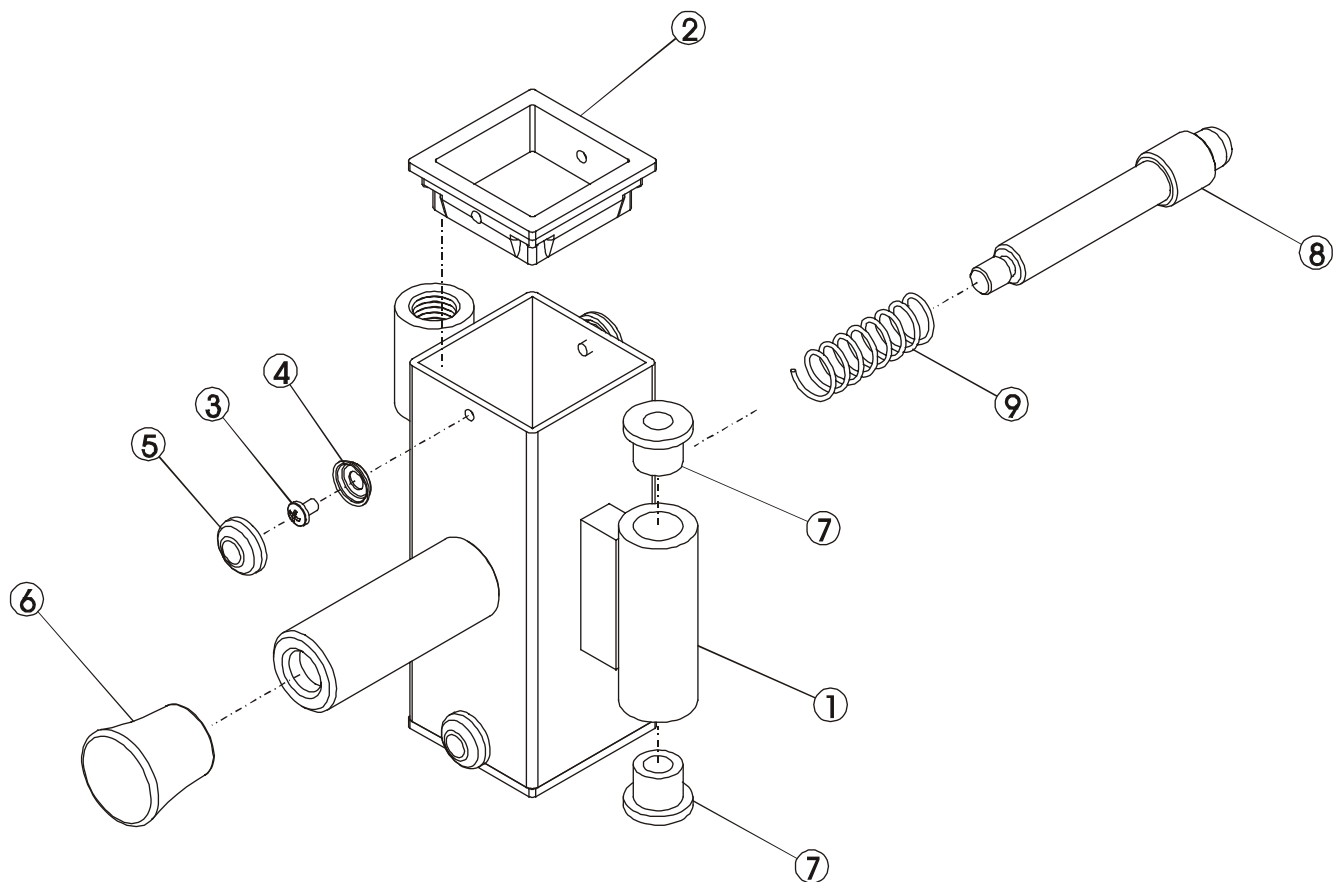
SM22 - Right Selector Assembly



ITEM NO.	QTY.	PART NO.	DESCRIPTION
1	1	SM22-S0009-0000	SELECTOR, RT - WELDED ASSY
2	2	0017-00042-0998	INSERT: PLASTIC; SEAT 2 X 2
3	4	0017-00101-1524	#8 X 1/4" PAN HEAD PLASTITE
4	4	0017-00104-0365	CAPLUG WASHER; RHW 105
5	4	0017-00042-0968	CAPLUG CAP; RH-10
6	1	OK50-P0121-0000	PULL PIN
7	1	0017-00009-1077	KNOB, BLACK TULIP STYLE
8	2	0017-00009-0931	7/16 I.D. BRASS BUSHING
9	1	0017-00009-0994	SPRING; PULL PIN LARGE

STRENGTH 9000 SERIES TRAINING EQUIPMENT

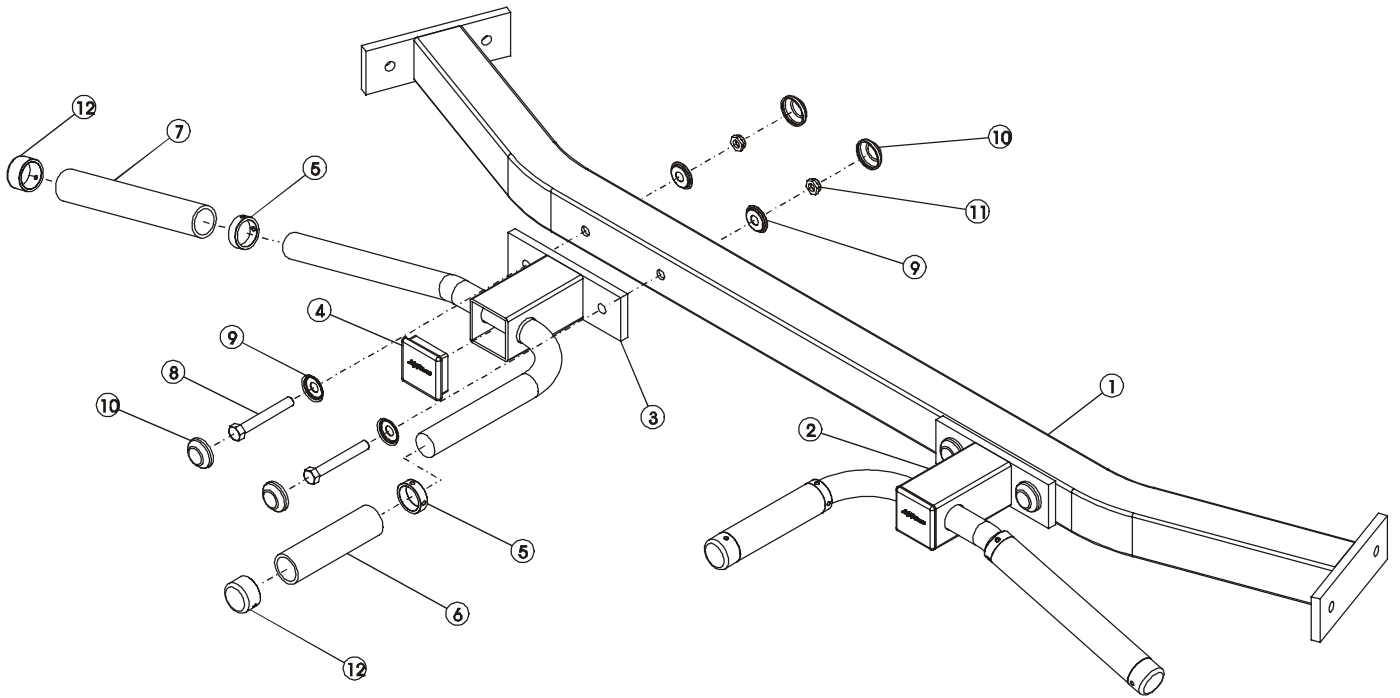
SM22 - Left Selector Assembly



ITEM NO.	QTY.	PART NO.	DESCRIPTION
1	1	SM22-S0010-0000	SELECTOR, LT - WELDED ASSY
2	2	0017-00042-0998	INSERT: PLASTIC; SEAT 2 X 2
3	4	0017-00101-1524	#8 X 1/4" PAN HEAD PLASTITE
4	4	0017-00104-0365	CAPLUG WASHER; RHW 105
5	4	0017-00042-0968	CAPLUG CAP; RH-10
6	1	0017-00009-1077	KNOB, BLACK TULIP STYLE
7	2	0017-00009-0931	7/16 I.D. BRASS BUSHING
8	1	OK50-PO121-0000	PULL PIN
9	1	0017-00009-0994	SPRING; PULL PIN LARGE

STRENGTH 9000 SERIES TRAINING EQUIPMENT

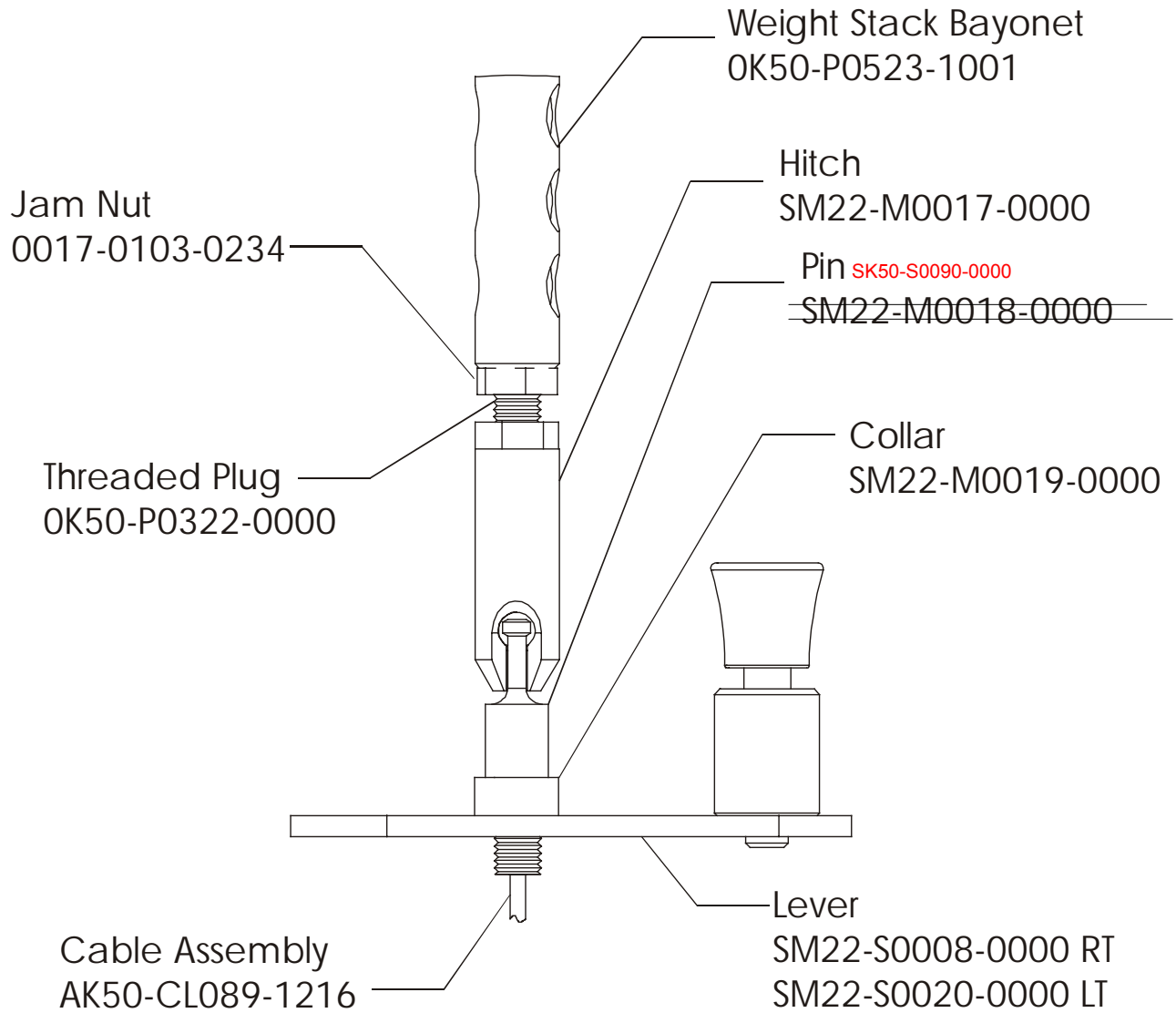
SM22 - Pull-Up Bar Assembly



ITEM NO.	QTY.	PART NO.	DESCRIPTION
1	1	SM22-S0007-0000	PULL UP BAR - WELDED ASSY
2	1	SM22-S0014-0000	PULL UP HANDLE, RT -
3	1	SM22-S0015-0000	PULL UP HANDLE, LT -
4	2	0017-00042-0958	2X2 BLACK PLASTIC CAP
5	4	OK50-P0315-1000	ALUMINUM END CAP
6	2	PULL UP BAR GRIP 1	RUBBER GRIP 1" DIA, 4.50" LG
7	2	PULL UP BAR GRIP 2	RUBBER GRIP 1" DIA, 7.50" LG
8	4	0017-00101-1408	3/8 - 16 X 44 UNS HEX BLT G5 ZN
9	8	0017-00104-0368	CAPLUG WASHER; RHW 205
10	8	0017-00042-0969	CAPLUG CAP; RH-20
11	4	0017-00103-0217	NUT 3/8 - NYLOC; THIN NY NO
12	4	OK50-P0315-2000	ALUMINUM END CAP

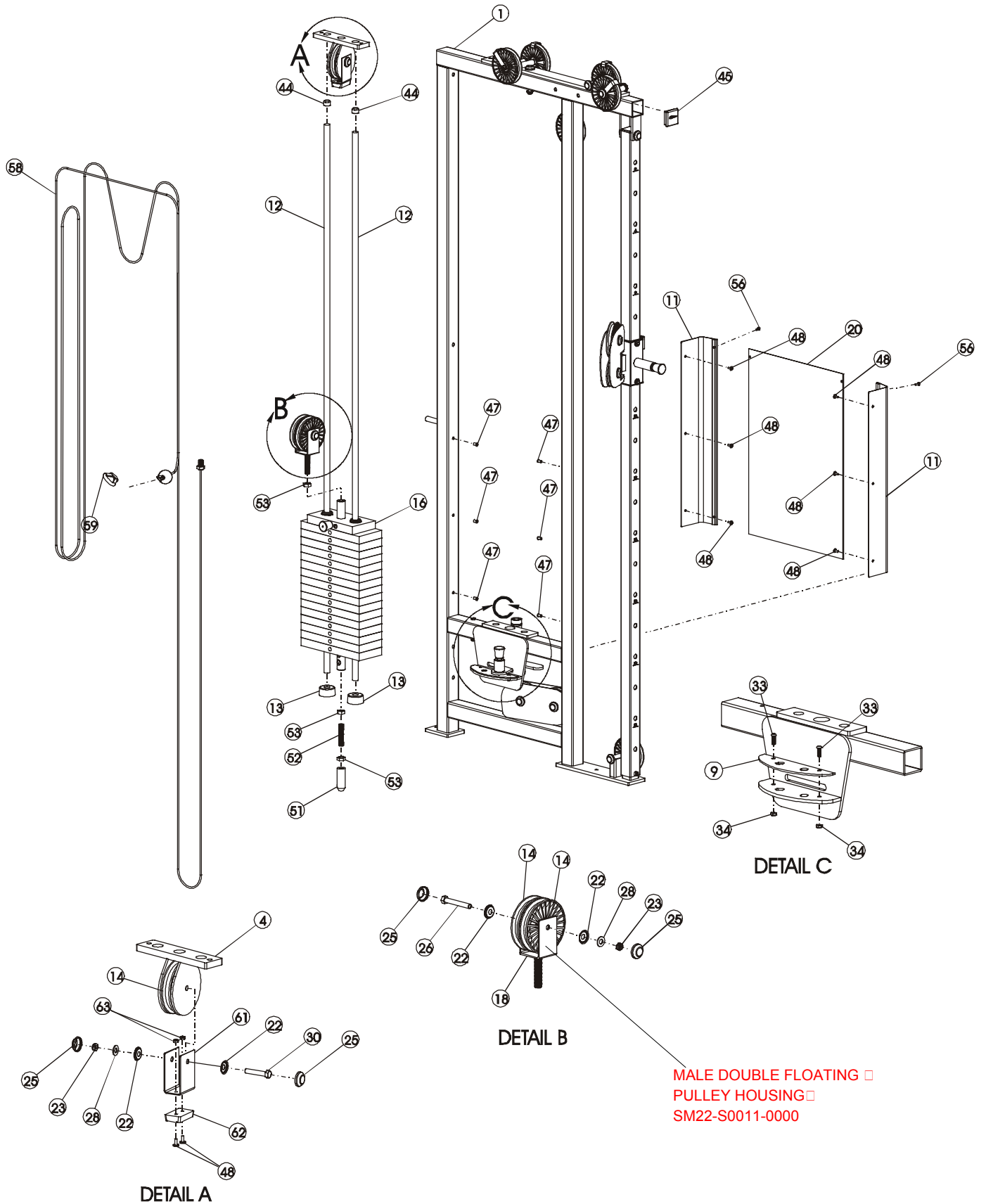
STRENGTH 9000 SERIES TRAINING EQUIPMENT

SM22 - Cable Attachment Components



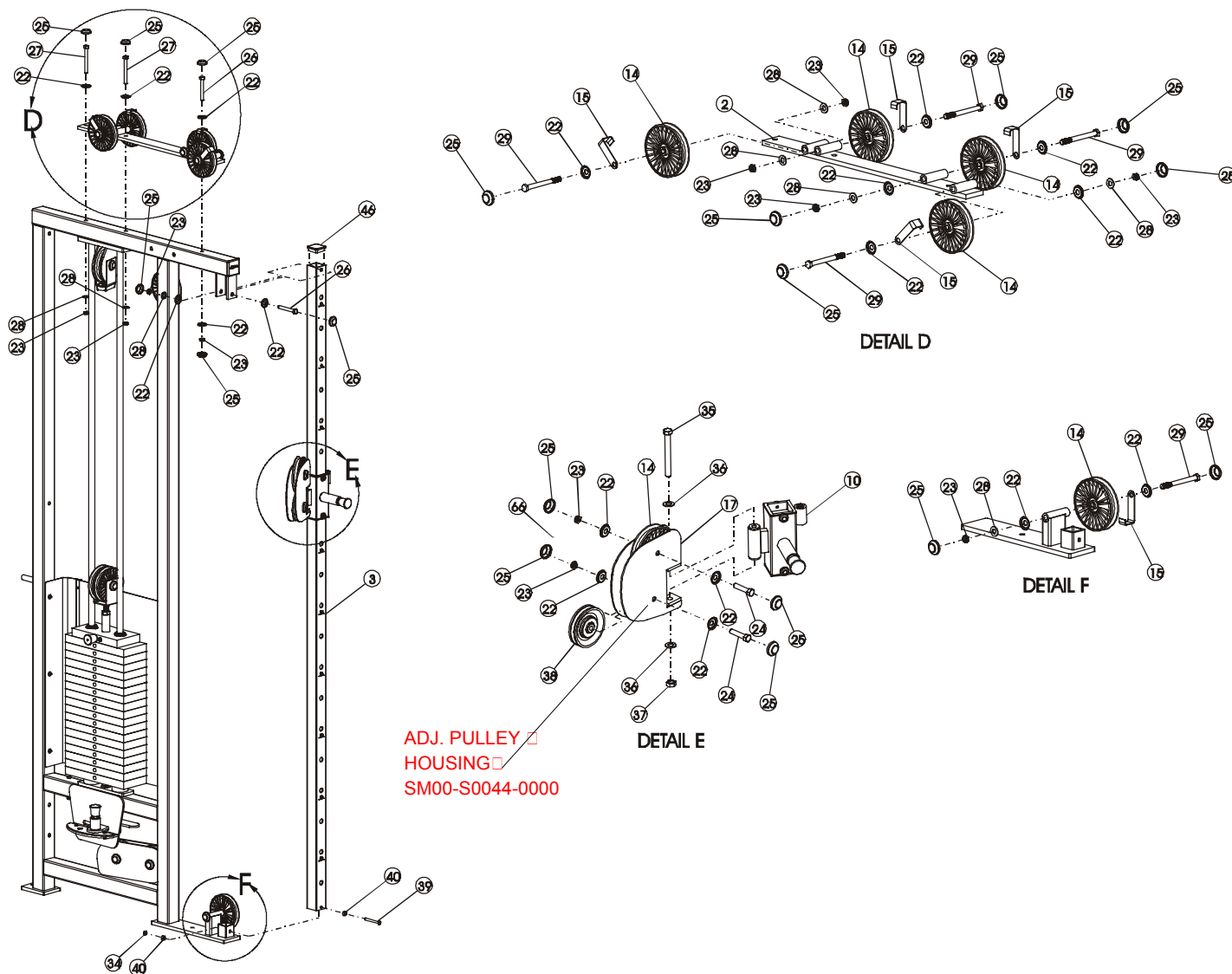
STRENGTH 9000 SERIES TRAINING EQUIPMENT

SM22 - Frame Assembly - Index on Last Page



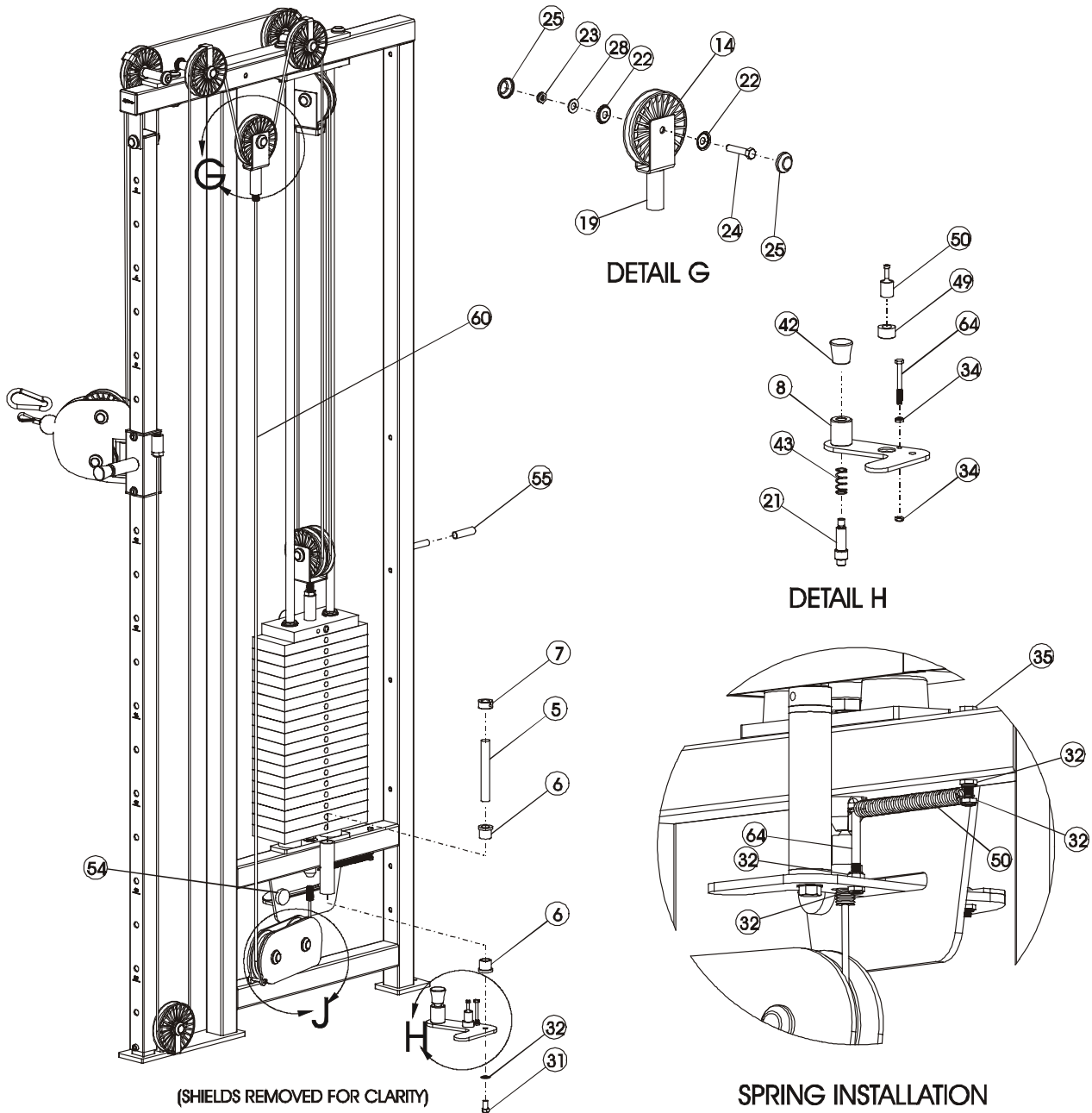
STRENGTH 9000 SERIES TRAINING EQUIPMENT

SM22 - Frame Assembly - Index on Last Page



STRENGTH 9000 SERIES TRAINING EQUIPMENT

SM22 - Frame Assembly - Index on Last Page



STRENGTH 9000 SERIES TRAINING EQUIPMENT

SM22 - Frame Assembly Index

ITEM	QTY	PART	DESCRIPTION	ITEM	QTY	PART	DESCRIPTION
1	1	SM22-S0001-0000	Rt Frame-Welded Assy	34	2	0017-00104-0349	1/4 Spacer
2	1	SM22-S0004-0000	Top Pulley Bar, Rt	35	1	0017-00101-1399	1/4-20x44 UNS Hex Blt
3	1	SM00-M0001-0000	Jungle SS Adj Pulley	36	1	0017-00009-0998	Spring; Pull Pin 1-3/8
4	1	SM22-S0012-0000	Top Plate,Rt Welded Assy	37	2	0017-00042-0967	3/4 I.D. Blk Plastic Rod Cap
5	1	SM22-M0013-0000	Pivot Lever	38	1	0017-00042-0958	2x2 Black Plastic Cap
6	2	0017-00009-0929	3/4 I.D. Oilite Bushing	39	1	0017-00042-0947	1-3/4x1-3/4 Plastic Cap
7	1	0017-00009-1019	3/4 Lock Collar	40	6	001700103-0212	Nut 10-24 Nutsert
8	1	SM22-S0008-0000	Lever Rt, Welded Assy	41	8	0017-00101-1616	10-24x8 PHL PAN MS ST
9	1	SM22-M0022-0100	Top Locking Plate	42	1	SM22-M0019-0000	Bottom Jam Cable Release
10	1	SM22-A0004-0000	Selector Assy-Rt	43	1	SM22-M0018-0000	Pin, Cable Release
11	2	OK50-E0038	2.5 Standard Side Shield	44	1	SM22-M0017-0000	Hitch, Cable Release
12	2	SM22-M0023-0000	Guide Rod Dual Adj Pulley	45	1	OK50-P0322-0000	
13	2	0017-00042-0993	Weight Stack Donut 1" Thk	46	3	0017-00103-0234	Nut 9/16-12 Jam
14	12	0017-00009-0977	4-1/2" Pulley w/1" Hub	47	1	0017-00042-0978	
15	5	OK50-P0519-0000	Cable Guard	48	1	0017-00009-0947	2-1/4" Nylon Peg Cover
16	1	AK50-WS019	Weight Stack	49	2	0017-00101-1587	Shield Rivet
17	1	SM22-S0011-0000	FLTG DBL Pulley, Male	50	1	0017-00009-1074	Spring
18	1	AK50-S0026-0000	Floating Pulley, Female	51	1	AK50-CL435-0014	Cable Assembly RT
19	1	OK50-E0041	Plastic Shield w/LOGO	52	1	0017-00100-0181	Snap Ring 3/8" Carribeaner
20	28	0017-00104-0368	Caplug Washer; RHW 205	53	1	AK50-CL089-1216	SM22 Cable Assy
21	16	0017-00103-0217	Nut 3/8 - NYLOC; Thin	54	1	OK50-P0532-000	Pulley Guard
22	5	0017-00101-1413	3/8-16x44 UNS Hex Blt	55	1	0017-00042-1032	Rubber Stop
23	28	0017-00042-0969	Caplug Cap; RH-20	56	3	0017-00103-0228	Nut 10-24 NYLOC
24	3	0017-00101-1408	3/8-16x44 UNS Hex Blt	57	1	0017-00101-1397	1/4-20x40 HXS FLT BLT
25	2	0017-00101-1425	3/8-16x52 UNS Hex Blt	58	1	OK50-P0124-0000	
26	11	0017-00104-0313	WSH.375-ID13/32OD	59	1	SM00-S0044-0000	Adjustable Pulley
27	5	0017-00101-1420	3/8-16x64 UNS Hex Blt	60	1	0017-00009-1075	3-1/2" Pulley w/1" Hub
28	1	0017-00101-1416	3/8-16x2.00 UNS Hex Blt	61	2	0017-00104-0363	WSH4375 4375-.750-063 FI
29	1	0017-00101-1428	3/8-16x12 UNS Hex Blt	62	1	0017-00101-1440	7/16-14x64 UNS Hex Blt
30	1	0017-00104-0377	WSH.375 IntLock	63	1	0017-00103-0241	Nut 7/16-14 Thin NYLOC
31	2	0017-00101-1478	1/4-20x12 HXS BUT Blt	64	1	0017-00101-1392	1/4-20x20 Hxs Soc
32	7	0017-00103-0227	Nut 1/4-20 Thin NYLOC	65	1	0017-00009-1077	Knob, Black Tulip Style
33	1	0017-00101-1521	1/4-20x40 HXS BUT Blt	66	1	OK50-P0569-0000	Protection Strip