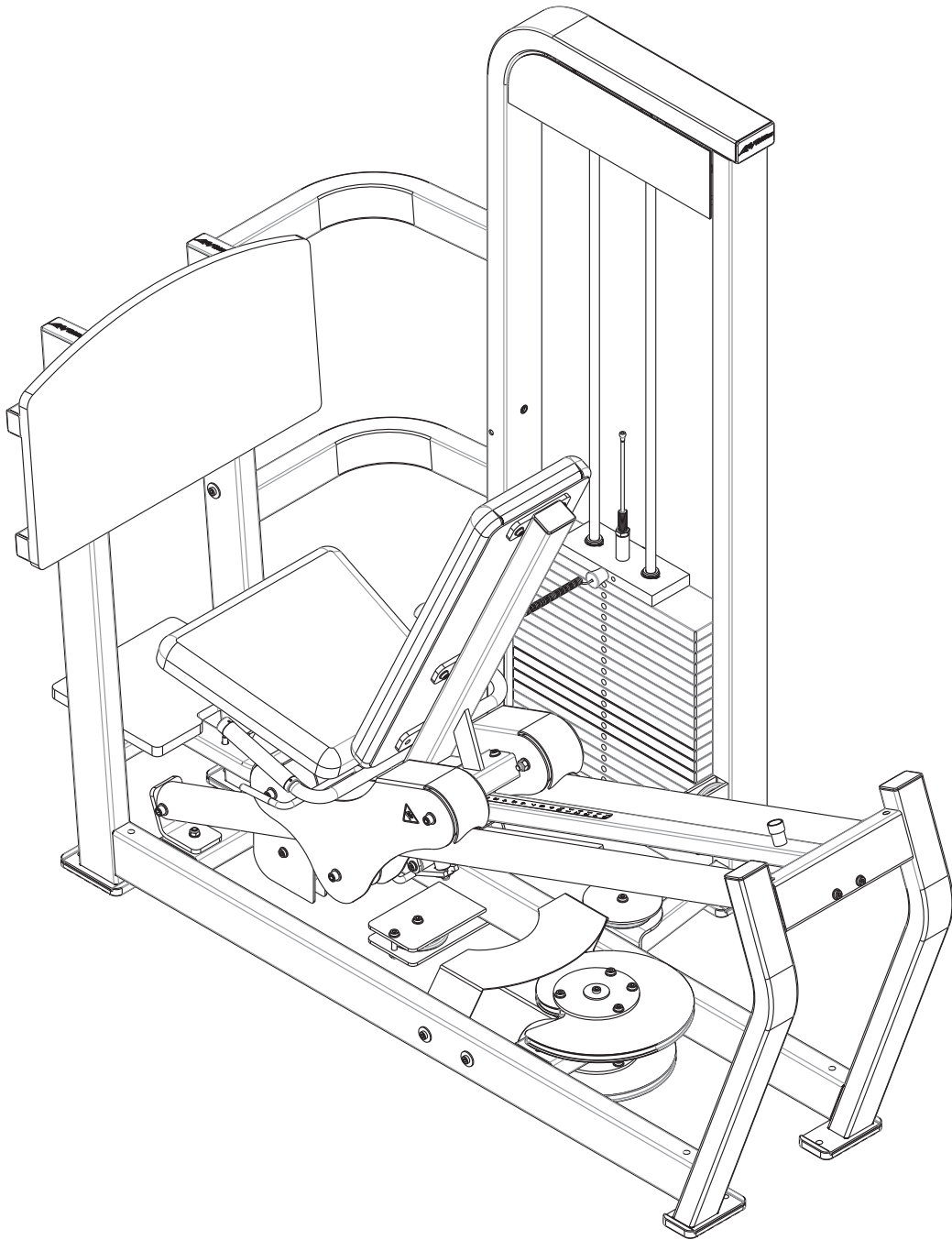


# *Life Fitness*

## PRO 2 SERIES PSSLPSE SEATED LEG PRESS



Customer Support Services  
**PARTS MANUAL**

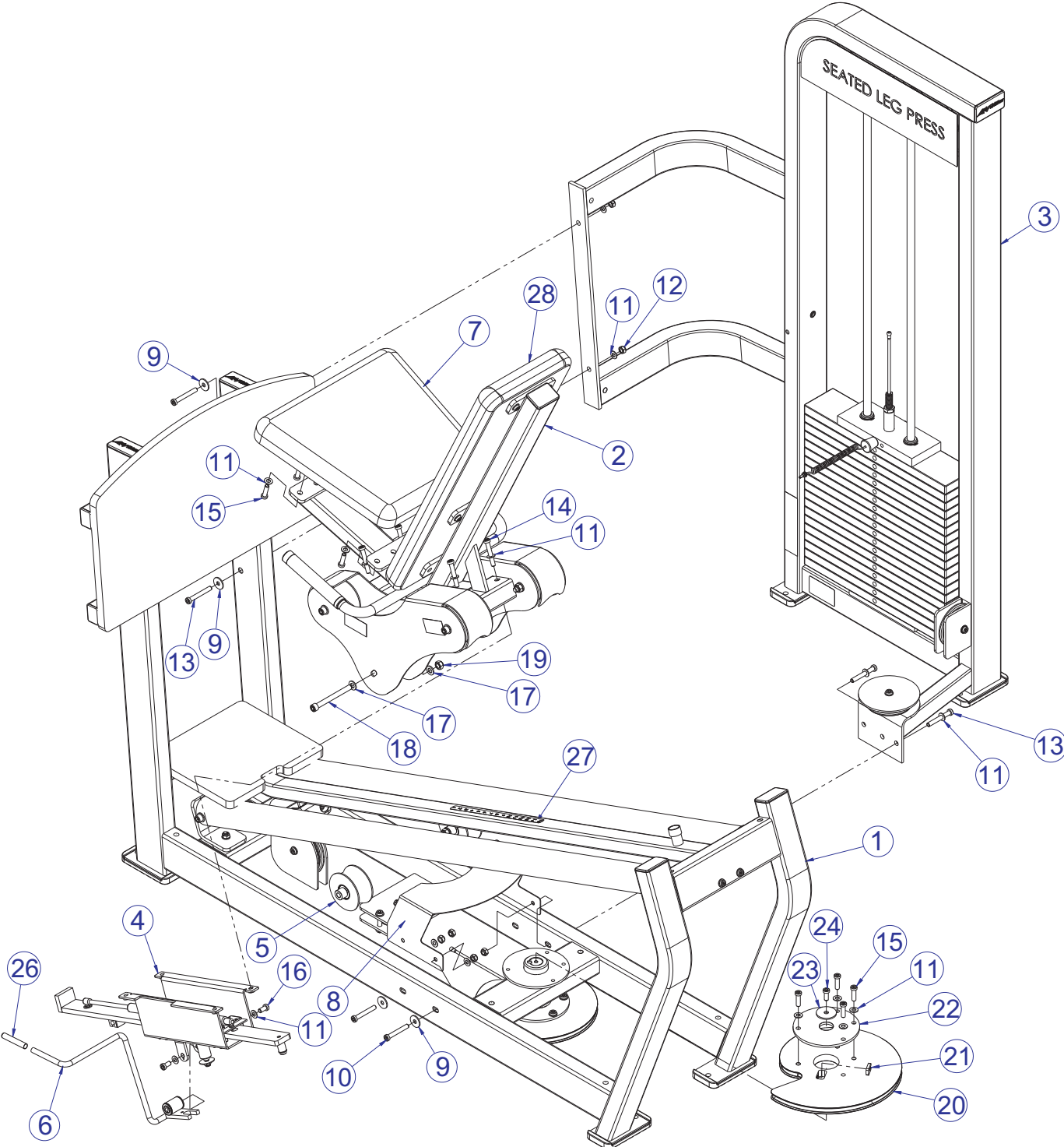
# PSSLPSE SEATED LEG PRESS

## CONTENTS

---

	Page
COMPONENT ASSEMBLY	3
COMPONENT ASSEMBLY LEGEND	4
SIDE FRAME ASSEMBLY	5
SIDE FRAME ASSEMBLY LEGEND	6
BASE FRAME ASSEMBLY	7
BASE FRAME ASSEMBLY LEGEND	8
SEAT ASSEMBLY	9
SEAT ASSEMBLY LEGEND	10
SEAT ADJUSTMENT ASSEMBLY	11
SEAT HANDLE ASSEMBLY	12
LOWER CAM ASSEMBLY	13
LOWER CAM ASSEMBLY LEGEND	14
5LB INCREMENT WEIGHT ASSEMBLY	15
INCREMENT WEIGHT ASSEMBLY W/STRIKER	16
WEIGHT STACK (390LB)	17
REAR SHROUD KIT	18
OPTIONAL FULL SHROUD KIT	19
CABLE ROUTING	20
IMAGE	21

# PSSLPSE SEATED LEG PRESS COMPONENT ASSEMBLY



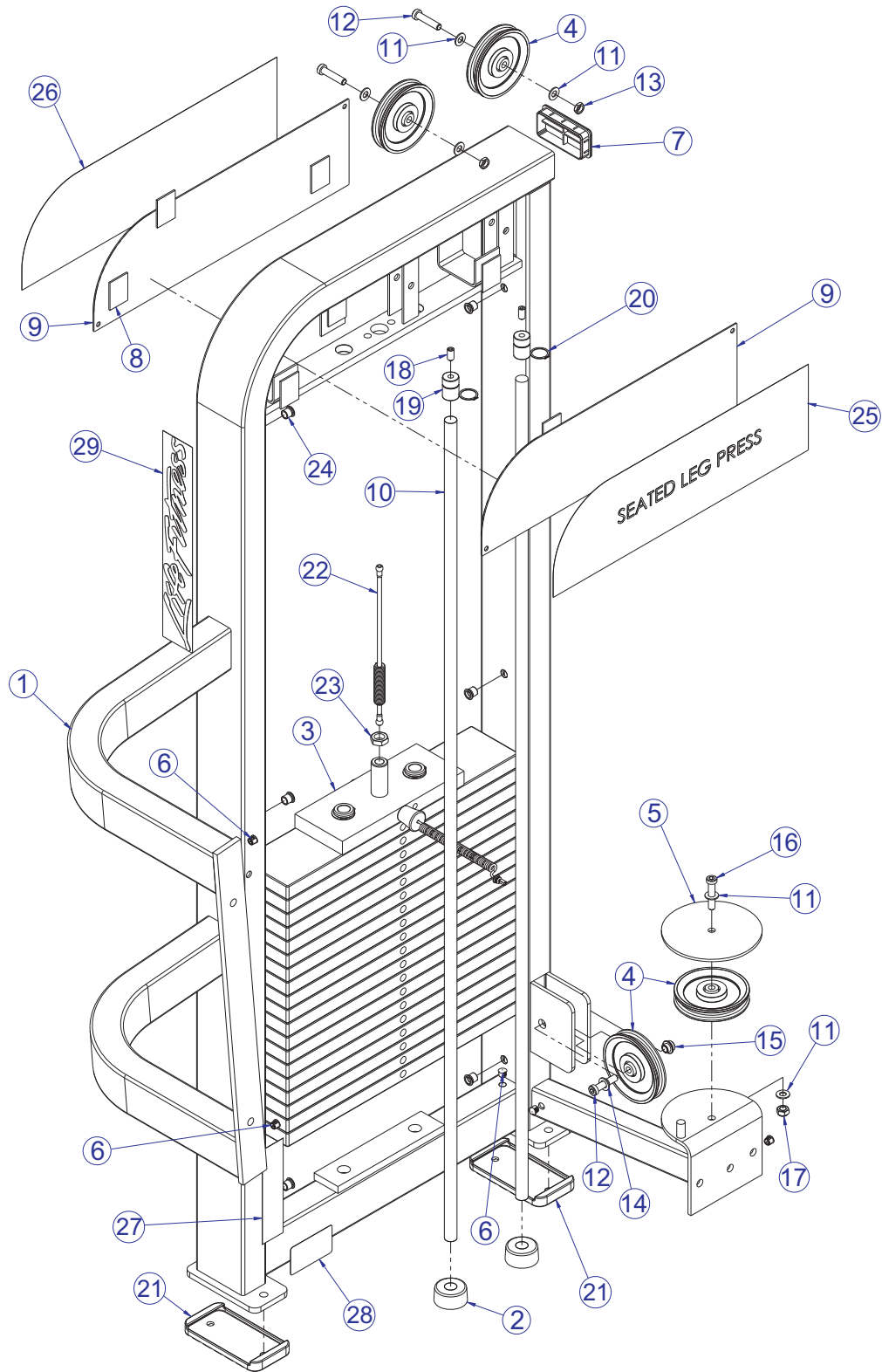
SEE PAGE 4 FOR LEGEND

# PSSLPSE SEATED LEG PRESS COMPONENT ASSEMBLY LEGEND

---

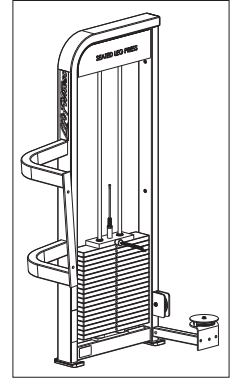
ITEM NO.	QTY.	PART NO.	DESCRIPTION
1	1	7450401	ASSY, PSSLP BASE FRAME
2	1	7450601	ASSY, PSSLP SEAT
3	1	7450501	ASSY, PSSLP SIDE FRAME
4	1	9064001	ASSY, FZ/PS-SLP SEAT ADJ
5	2	3251501	ROLLER ASSY
6	1	7450701	ASSY, FZ/PS-SLP SEAT HANDLE
7	1	73991xx	PAD, 17 X 18 1/2
8	1	7409895	SHIELD, FZ/PS-SLP CAM SG
9	4	3236602	WASHER, 3/8 ID X 1.25 OD SS
10	2	3236211	SCREW, M10 X1.5 70MM
11	20	3236601	WASHER, 3/8 SAE SS
12	6	3236801	NUT, M10 HEX NYLOCK SS
13	4	3236212	SCREW, M10 X1.5 75MM
14	4	3236210	SCREW, M10 X1.5 65MM
15	8	3236204	SCREW, M10 X1.5 35MM
16	2	3236201	SCREW, M10 X1.5 20MM
17	4	3241401	WASHER, FLAT 12MM SS
18	1	3241320	SCREW, M12 X1.75 120MM
19	2	3236803	NUT, M12 HEX NYLOCK SS
20	1	7414501	CAM, FZ/PS-SLP OBLONG
21	1	7342201	PLATE, CABLE END
22	1	7511295	PLATE, FZ/PS-SLP TORQUE SG
23	1	7322301	PLATE, 1.97 OD X .44 ID 10GA
24	1	3236202	SCREW, M10 X1.5 25MM
25	1	3241319	SCREW, M12 X1.75 110MM
26	1	3238502	CAP, 1/2 X 3
27	1	9132601	LABEL, 1-15 STRAIGHT
28	1	73540xx	PAD, BACK 32-1/2 X 11-1/4

# PSSLPSE SEATED LEG PRESS SIDE FRAME ASSEMBLY - 7450501



SEE PAGE 6 FOR LEGEND

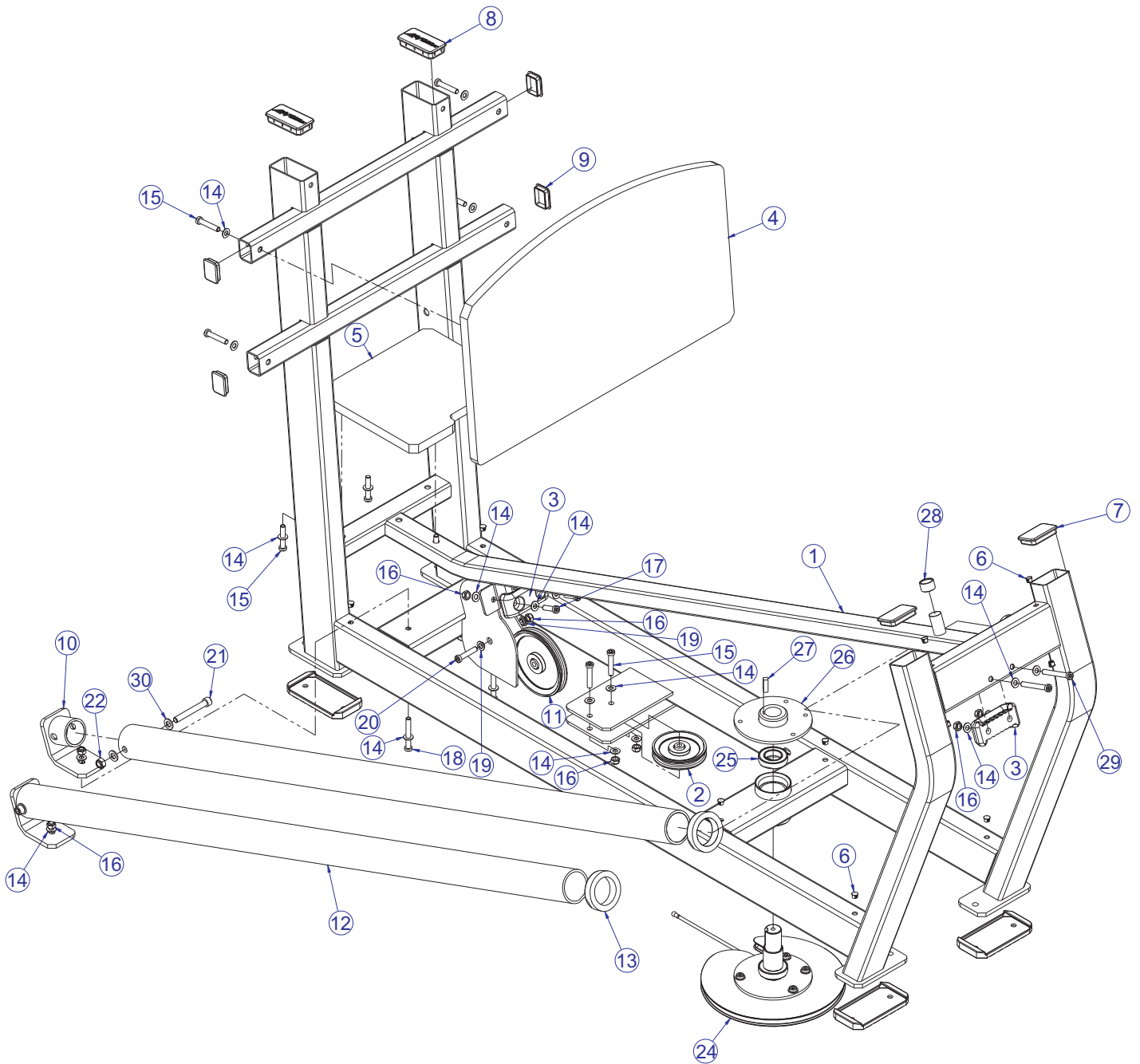
# PSSLPSE SEATED LEG PRESS SIDE FRAME ASSEMBLY LEGEND



ITEM NO.	QTY.	PART NO.	DESCRIPTION
1	1	7449201	WLDMT, SIDE FRAME
2	2	7352101	CUSHION, WEIGHT STACK
3	1	7353601	ASSY, 390LB STACK
4	4	3237801	PULLEY, 4.5" OD
5	1	7301101	PLATE, PULLEY
6	6	3237401	PLUG, 7/16" HOLE
7	1	7352401	CAP, END 2 X 4
8	12	7544202	PAD, DUAL LOCK 250 1.5" X 2.0"
9	2	7606702	COVER, STACK-PRO2 WIDE
10	2	7328606	GUIDE ROD, .75 OD SOLID 59.63
11	6	3236601	WASHER, 3/8 SAE SS
12	3	3236206	SCREW, M10 X1.5 45MM
13	2	3236901	NUT, M10 X 1.5 JAM
14	1	7348101	WASHER, SPACER
15	1	7335401	NUT, M10 X 1.5 SOCKET HEAD
16	1	3236207	SCREW, M10 X1.5 50MM
17	1	3236801	NUT, M10 HEX NYLOCK SS
18	2	3240501	M10 X 1.5 HXS NO CUP ST BO
19	2	7402301	RETAINER, GUIDEROD
20	2	3232421	RING, BRE .940, 5100-100 ST PP B
21	2	7388201	FOOTPAD, PS RUBBER
22	1	7423721	CABLE, PSSLP-1 145
23	1	3236902	NUT, M16 X 2 HEX JAM SS
24	6	3238101	NUT, BLIND INSERT M10 X 1.5
25	1	7490201	LABEL, PSSLP PLACARD
26	1	7491301	LABEL, PSSLP LOGO PANEL
27	1	7422004	LABEL, 2" ASTM WARN
28	1	7571301	LABEL, SERIAL NUMBER
29	1	7348001	LABEL, LIFE FITNESS LOGO

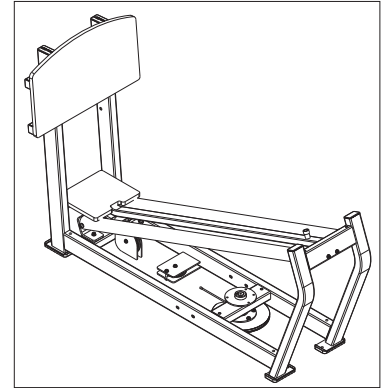
# PSSLPSE SEATED LEG PRESS BASE FRAME ASSEMBLY - 7450401

---



SEE PAGE 8 FOR LEGEND

# PSSLPSE SEATED LEG PRESS BASE FRAME ASSEMBLY LEGEND

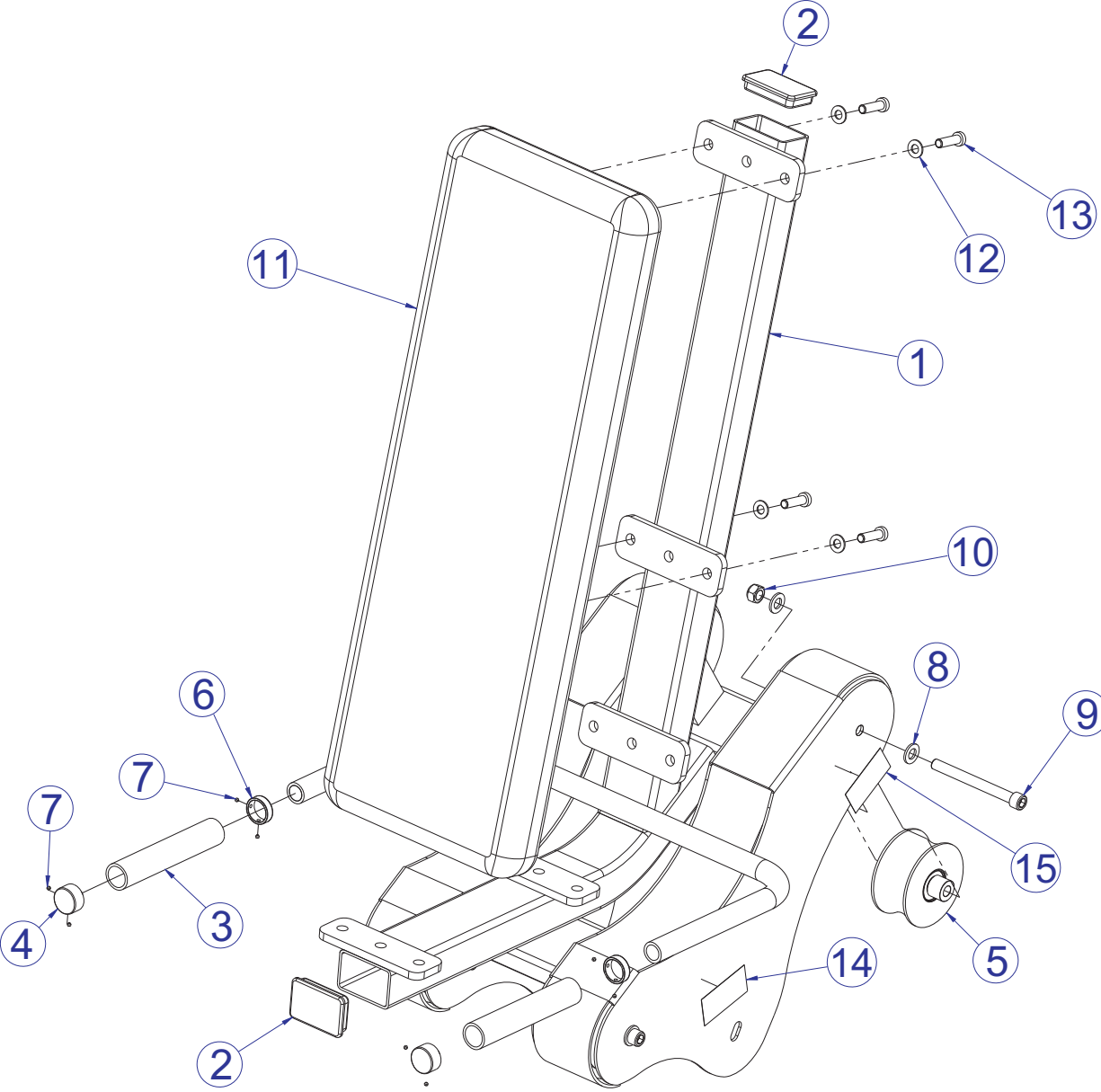


ITEM NO.	QTY.	PART NO.	DESCRIPTION
1	1	7447201	WLDMT, PSSLP MAIN FRAME
2	1	3237801	PULLEY, 4.5" OD
3	2	7352001	BUMPER, 2-1/8 X 4-5/8
4	1	7450901	BOARD, PSSLP LINEXED
5	1	7494301	BOARD, PSSLP LINEXED
6	10	3237401	PLUG, 7/16" HOLE
7	2	7352301	CAP, END 2 X 3
8	2	7352401	CAP, END 2 X 4
9	4	7352201	CAP, END 1-1/2 X 2
10	2	7408895	WLDMT, FZ/PS-SLP RAIL BRKT SG
11	1	3239601	PULLEY, 6" OD x 10MM ID
12	2	7961101	TUBE, RAIL
13	2	7444601	BUMBER, DONUT
14	23	3236601	WASHER, 3/8 SAE SS
15	9	3236208	SCREW, M10 X1.5 55MM
16	9	3236801	NUT, M10 HEX NYLOCK SS
17	2	3236204	SCREW, M10 X1.5 35MM
18	2	3236212	SCREW, M10 X1.5 75MM
19	2	7348101	WASHER, SPACER
20	1	3236207	SCREW, M10 X1.5 50MM
21	2	3241315	SCREW, M12 X1.75 90MM
22	2	3236803	NUT, M12 HEX NYLOCK SS
23	4	7388201	FOOTPAD, PS RUBBER
24	1	7511801	ASSY, FZ/PS-SLP RND CAM
25	1	3243201	BEARING, 6007 BALL
26	1	7511395	WLDMT, FZ/PS-SLP HUB SG
27	1	7511601	KEY, .375 SQUARE X 1.25
28	1	7690101	BUMPER, SLEEVE - 1 INCH DIA
29	2	3236213	SCREW, M10 X1.5 80MM
30	4	3241401	WASHER, FLAT 12MM SS



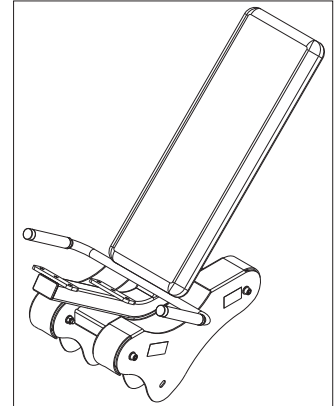
# PSSLPSE SEATED LEG PRESS SEAT ASSEMBLY - 7450601

---



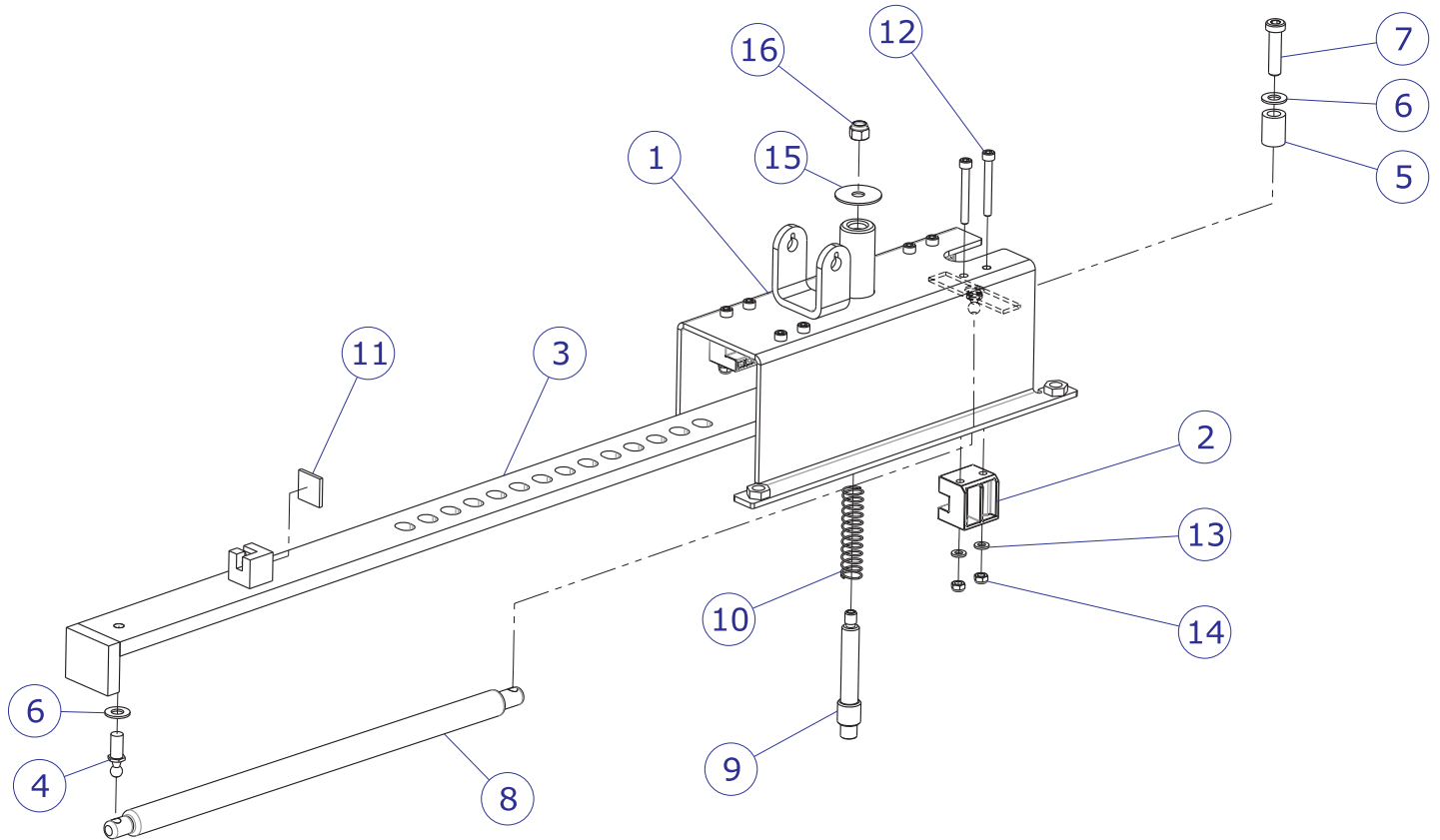
SEE PAGE 10 FOR LEGEND

# PSSLPSE SEATED LEG PRESS SEAT ASSEMBLY LEGEND



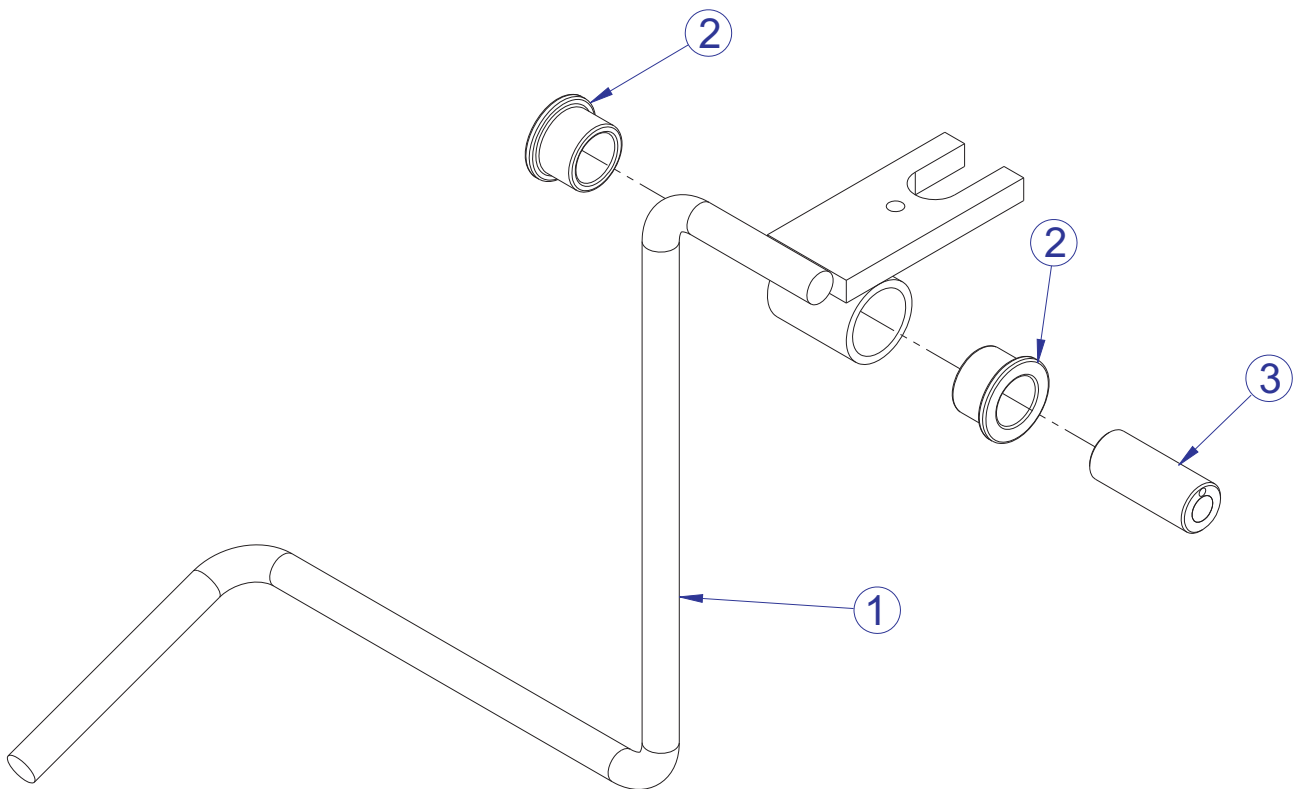
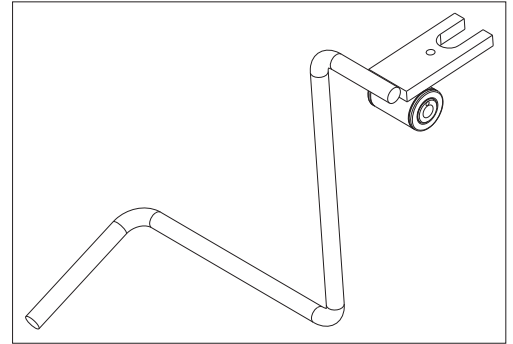
ITEM NO.	QTY.	PART NO.	DESCRIPTION
1	1	7448701	WLDMT, PSSLP CARRIAGE
2	2	7352301	CAP, END 2 X 3
3	2	3235801	GRIP, 1.25 OD OPEN END
4	2	7662901	CAP, GRIP 1.25 OD
5	4	3251501	ROLLER ASSY
6	2	7662801	RING, GRIP 1.25 OD
7	8	3247701	M4 X .7 HXS NO CUP ST BO
8	8	3241401	WASHER, FLAT 12MM SS
9	4	3241320	SCREW, M12 X1.75 120MM
10	4	3236803	NUT, M12 HEX NYLOCK SS
11	1	73540xx	PAD, BACK 32-1/2 X 11-1/4
12	4	3236601	WASHER, 3/8 SAE SS
13	4	3236204	SCREW, M10 X1.5 35MM
14	1	7422001	LABEL, SEAT INST
15	2	7422003	LABEL, MOVING PARTS

# PSSLPSE SEATED LEG PRESS SEAT ADJUSTMENT ASSEMBLY - 9064001



ITEM NO.	QTY.	PART NUMBER	DESCRIPTION
1	1	9064495	WLDMT, FZ/PS-SLP SEAT ADJ SG
2	4	7778501	BLOCK, FZ/PS-SLP DELRIN
3	1	9064302	WLDMT, FZ/PS-SPL ADJ
4	1	7414301	STUD, M10 BALL END M10 X 1.5
5	1	7354301	SPACER, 7/16 ID X .75 OD X 1
6	2	3236601	WASHER, 3/8 SAE SS
7	1	3236205	SCREW, M10 X1.5 40MM
8	1	3272301	SPRING, GAS 135N - 350MM
9	1	7351301	PIN, PULL X 4.375
10	1	7351501	SPRING, PULL PIN LARGE
11	1	6140701	GLIDE 1 X 1
12	8	3241707	SCREW, M6 X1 50MM
13	8	3241801	WASHER, FLAT 6MM SS
14	8	3236802	NUT, M6 HEX NYLOCK SS
15	1	3236701	WASHER, FENDER 3/8" ID X 1.5" OD SS
16	1	3102802	NUT, NYLOCK 3/8-16

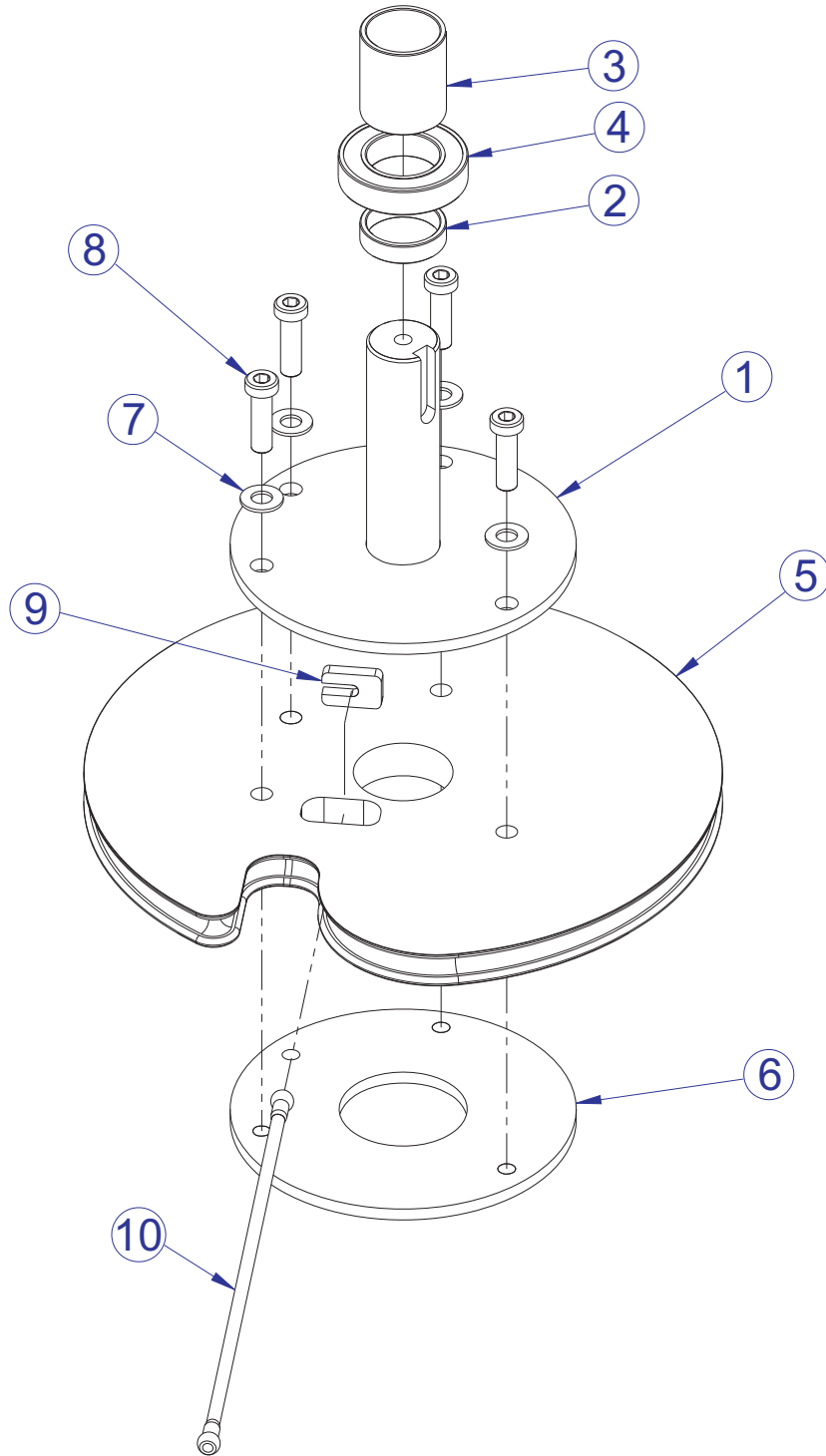
# PSSLPSE SEATED LEG PRESS SEAT HANDLE ASSEMBLY - 7450701



ITEM NO.	QTY.	PART NO.	DESCRIPTION
1	1	7412295	WLDMT, FZ/PS-SLP LEVER SG
2	2	3104901	.75" ID 1.00" OD BRONZE BUSHING
3	1	7324802	SHAFT, TAPPED 0.75 DIA X 1.800

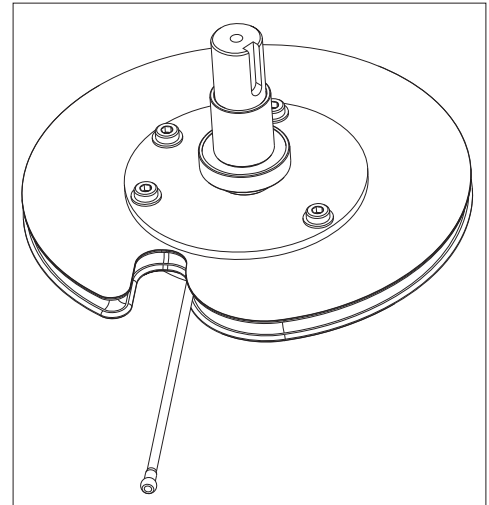
# PSSLPSE SEATED LEG PRESS LOWER CAM ASSEMBLY - 7511801

---



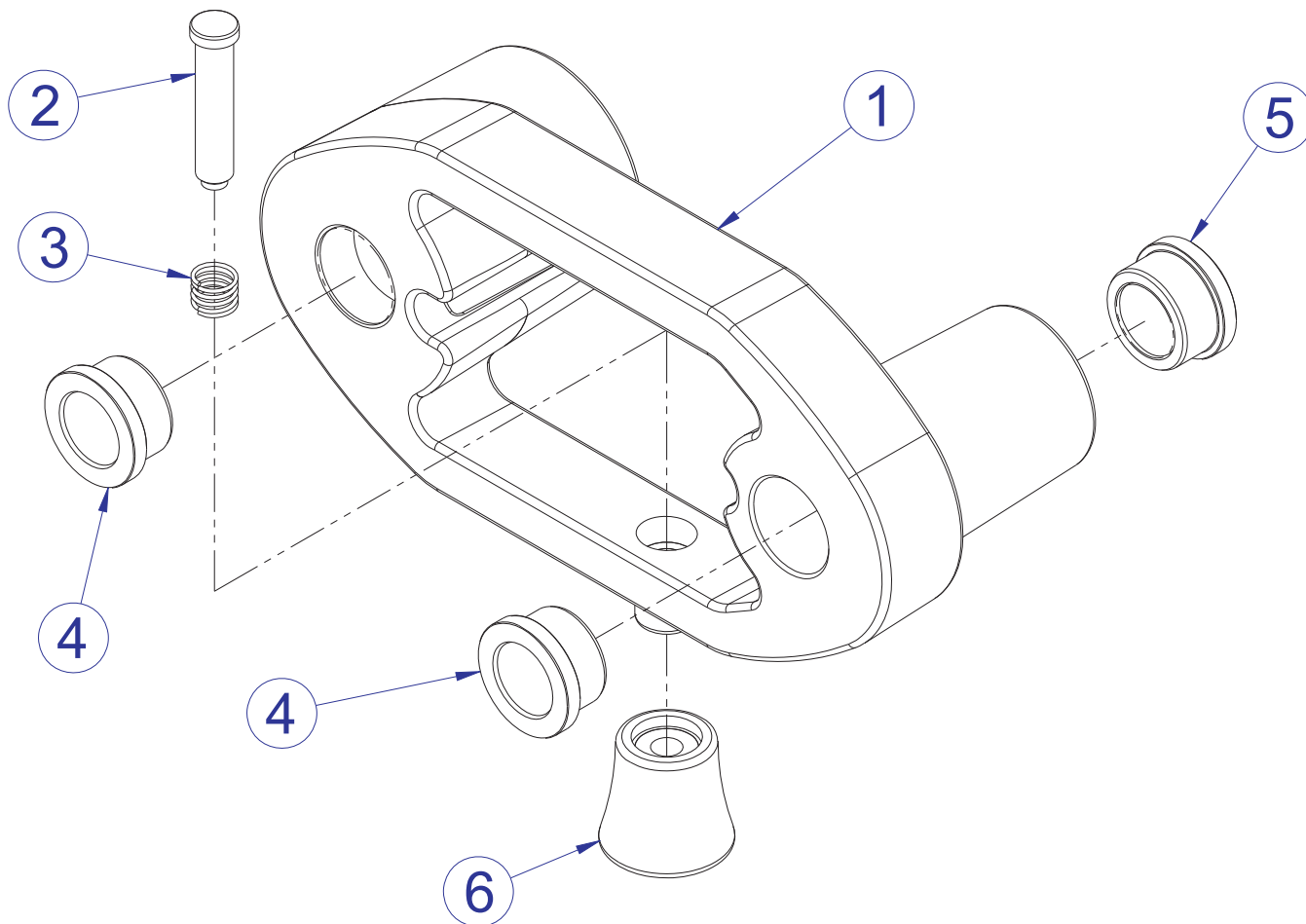
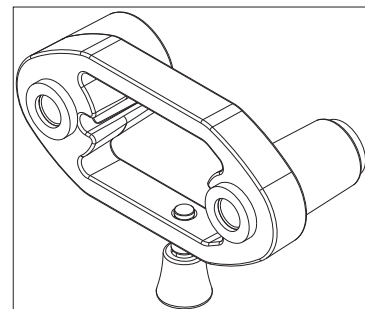
SEE PAGE 14 FOR LEGEND

# PSSLPSE SEATED LEG PRESS LOWER CAM ASSEMBLY LEGEND



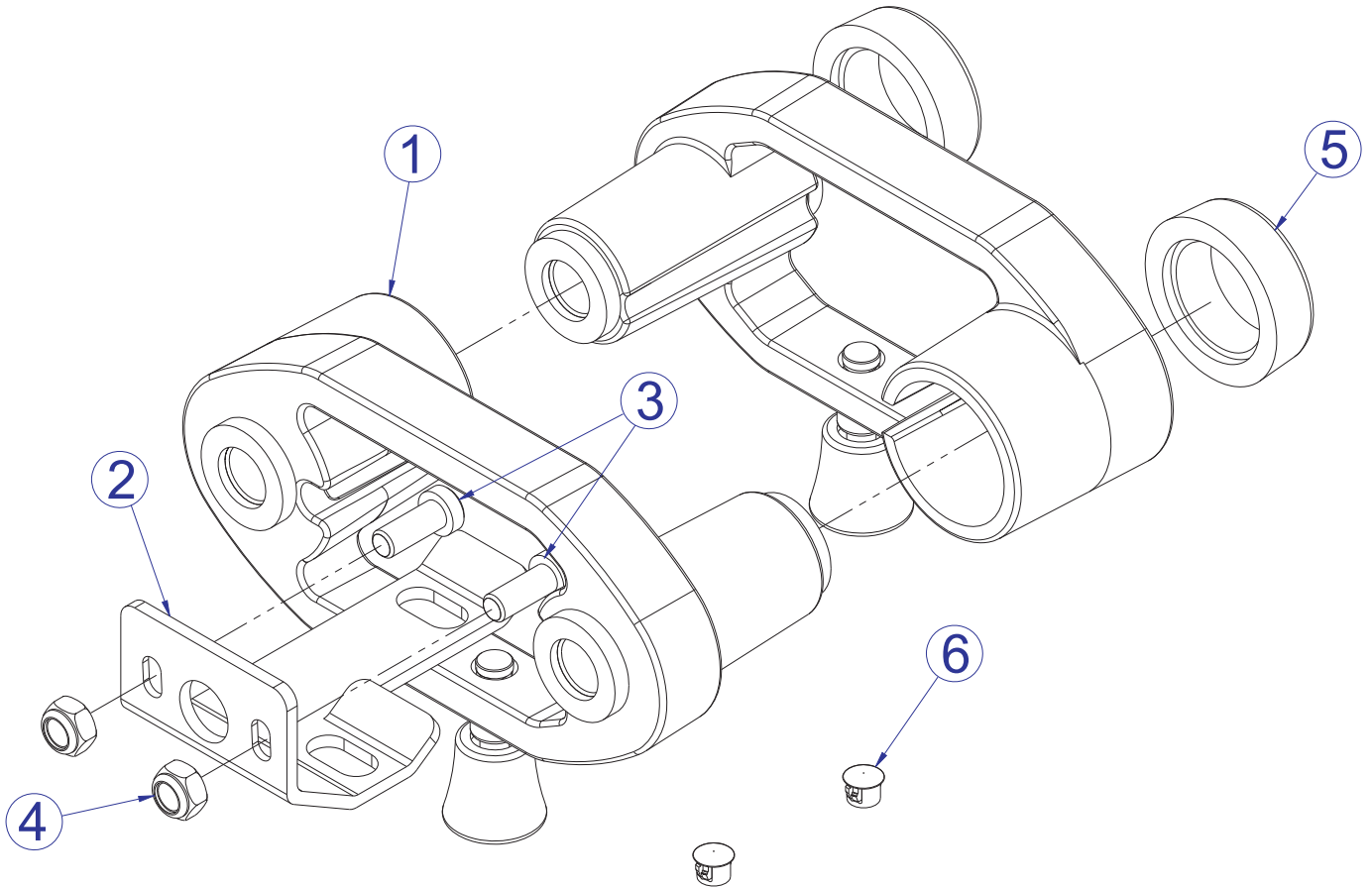
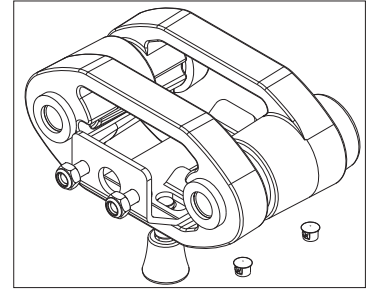
ITEM NO.	QTY.	PART NO.	DESCRIPTION
1	1	7511495	WLDMT, FZ/PS-SLP CAM SHAFT SG
2	1	7511501	SPACER, FZ/PS INTERNAL .403
3	1	7511502	SPACER, FZ/PS INTERNAL 1.845
4	1	3243201	BEARING, 6007 BALL
5	1	7414401	CAM, FZ/PS-SLP RND
6	1	7511195	PLATE, FZ/PS-SLP CAM THRD SG
7	4	3236601	WASHER, 3/8 SAE SS
8	4	3236204	SCREW, M10 X1.5 35MM
9	1	7342201	PLATE, CABLE END
10	1	7423803	CABLE, PSSLP-2

# PSSLPSE SEATED LEG PRESS 5LB INCREMENT WEIGHT ASSEMBLY - 8047001



ITEM NO	QTY	PART NO	DESCRIPTION
1	1	8047001	BODY, PS INCREMENT WEIGHT
2	1	7446901	PIN, RETAINING
3	1	7447001	SPRING, COMPRESSION
4	2	8045001	BEARING, INCREMENT WEIGHT
5	1	8048201	BEARING, PS, INCREMENT WEIGHT
6	1	8048001	KNOB, TULIP STYLE

# PSSLPSE SEATED LEG PRESS INCREMENT WEIGHT W/STRIKER - 7415101



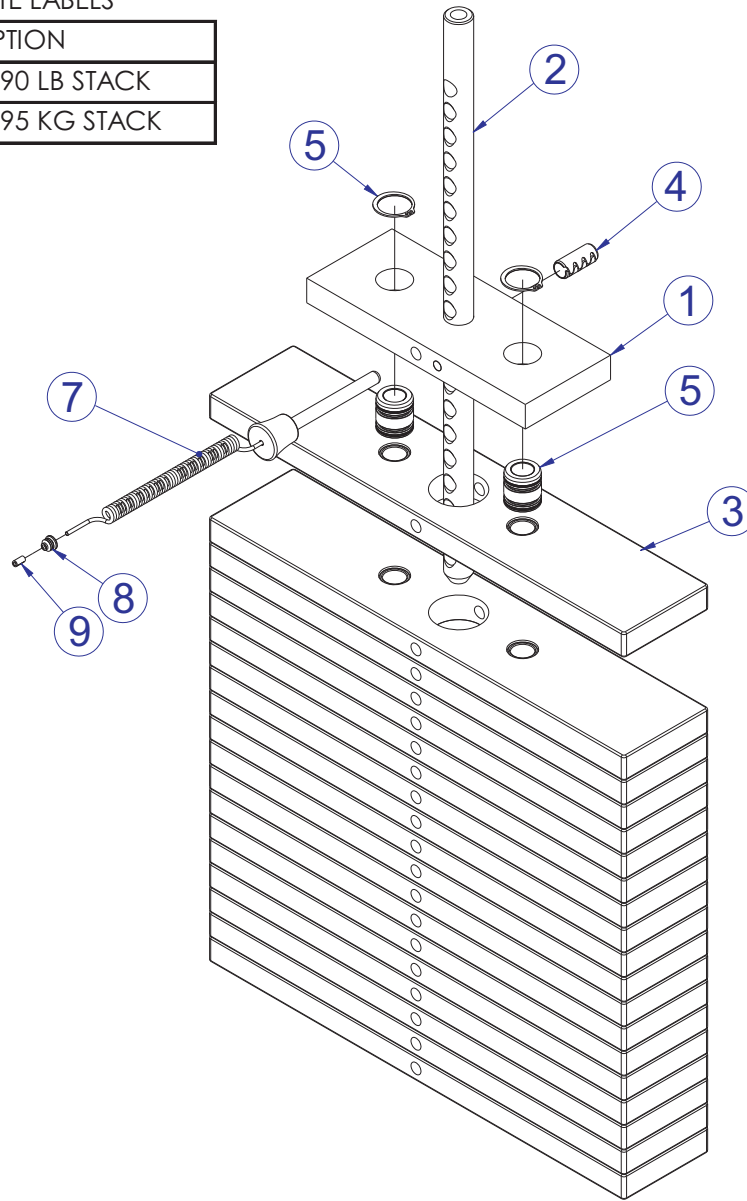
ITEM NO	QTY	PART NO	DESCRIPTION
1	2	8047001	ASSY, PS INCREMENT WEIGHT
2	1	8700801	PLATE, INCREMENT WEIGHT STRIKER
3	2	3236202	SCREW, M10 X1.5 25MM
4	2	3236801	NUT, M10 HEX NYLOCK SS
5	2	7767601	BUMPER, PS INCREMENT WT
6	2	3237401	PLUG, 7/16" HOLE



# PSSLPSE SEATED LEG PRESS WEIGHT STACK ASSY 390LB - 7353601

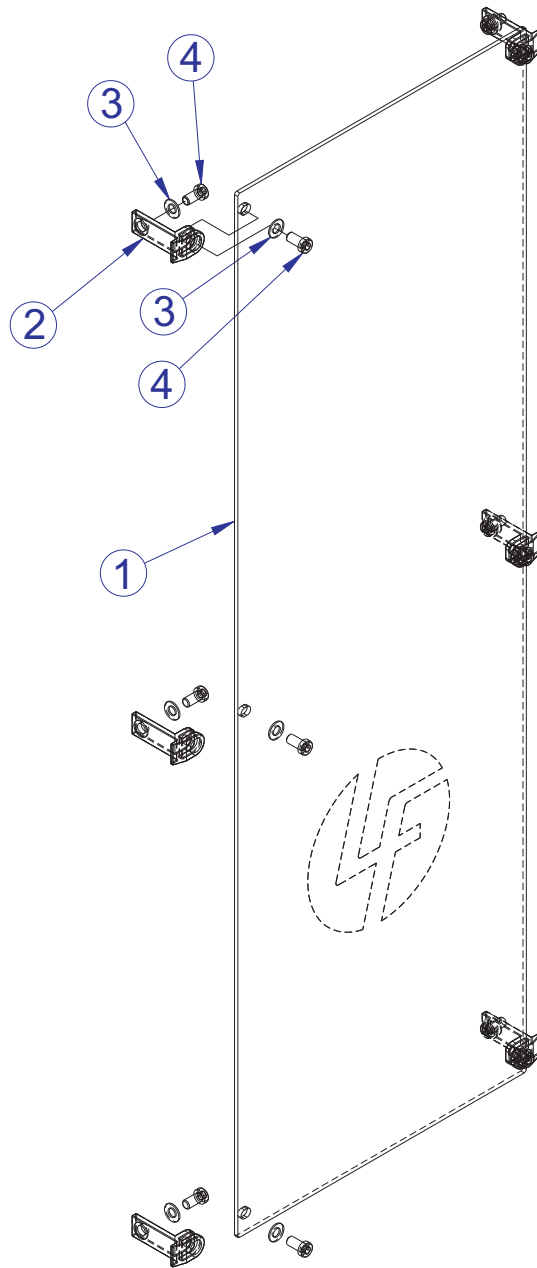
## WEIGHT PLATE LABELS

PART NO.	DESCRIPTION
7927201	LABEL, 390 LB STACK
7927301	LABEL, 195 KG STACK



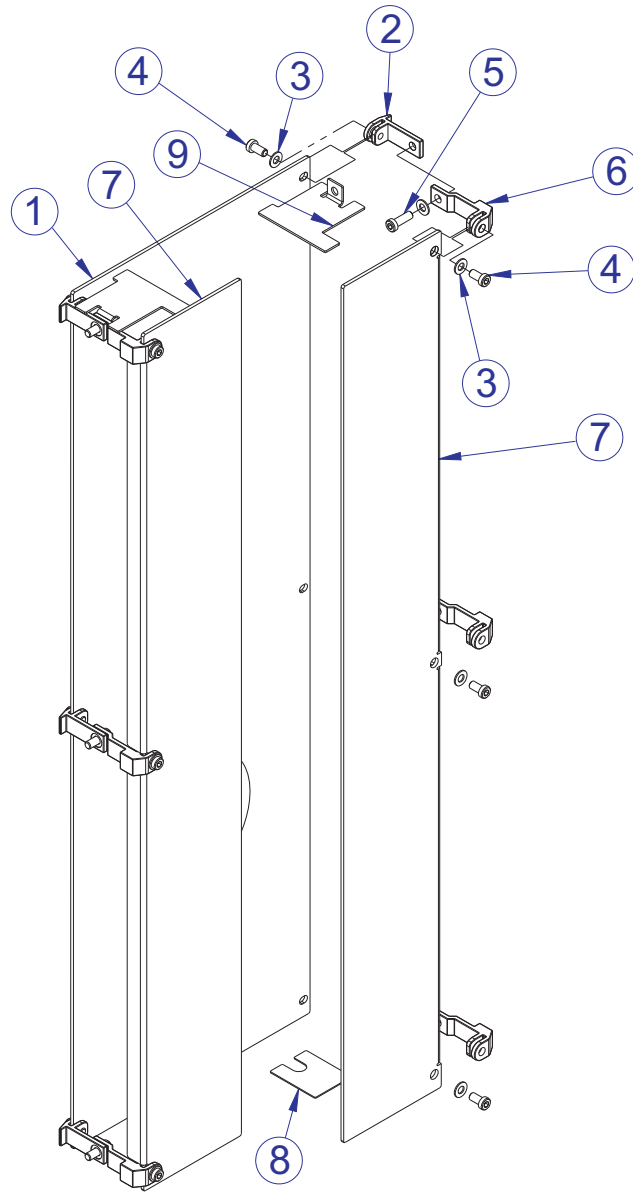
ITEM NO	QTY	PART NO	DESCRIPTION
1	1	7353901	HEADPLATE, WT. STACK
2	1	7356601	STEM, PRO2 19 HOLE
3	19	7328401	WEIGHT PLATE, 20 LB
4	1	3236001	BUSHING, SPRING PIN
5	2	7338001	HEADPLATE BUSHING & CLIP
7	1	7353001	ASSY, SELECTOR PIN
8	1	7356501	PLUG, LANYARD ATTACHMENT
9	1	7523601	CRIMP, CABLE

# PSSLPSE SEATED LEG PRESS REAR SHROUD KIT WIDE-TALL - 7415205



ITEM NO.	QTY.	PART NO.	DESCRIPTION
1	1	7376805	SHIELD, PS REAR
2	6	7655301	BRACKET, PS REAR SHIELD
3	12	3236601	WASHER, 3/8 SAE SS
4	12	3236201	SCREW, M10 X1.5 20MM

# PSSLPSE SEATED LEG PRESS OPTIONAL FULL SHROUD KIT WIDE-TALL - 7539605

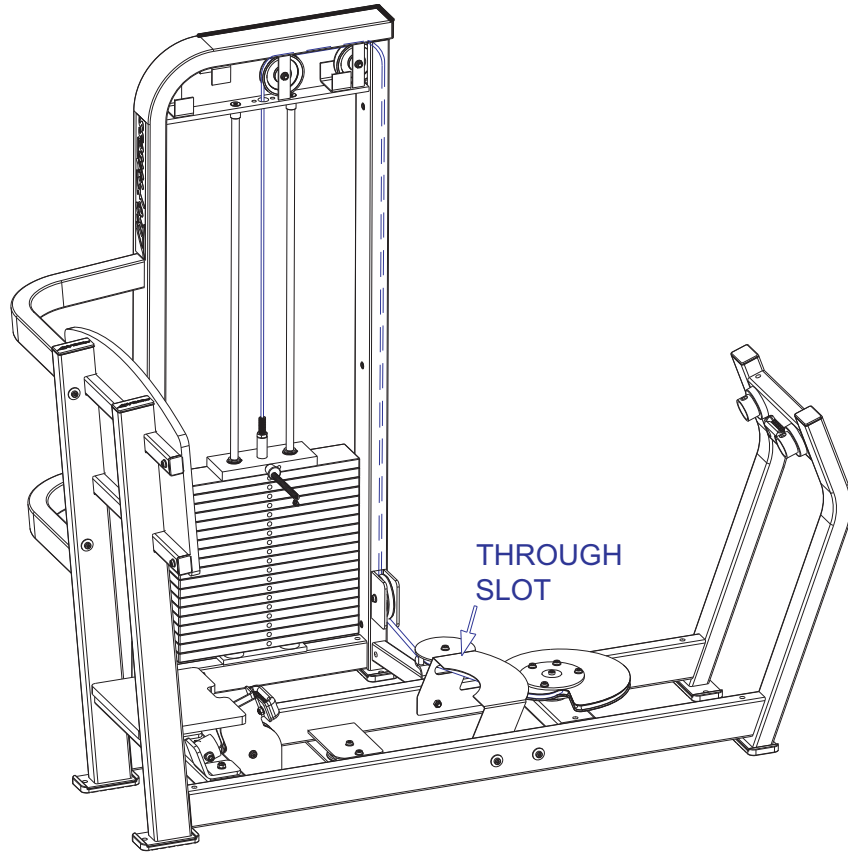


ITEM NO.	QTY.	PART NO.	DESCRIPTION
1	1	7376805	SHIELD, PS REAR
2	6	7655301	BRACKET, PS REAR SHIELD
3	18	3236601	WASHER, 3/8 SAE SS
4	12	3236201	SCREW , M10 X1.5 20MM
5	6	3236203	SCREW , M10 X1.5 30MM
6	6	7376601	BRACKET, PS FRONT SHIELD
7	2	7376905	SHIELD, PS - FRONT
8	2	7570901	PLATE, PS SHIELD STAND-OFF
9	2	7657401	PLATE, PRO2 SHROUD SPCR

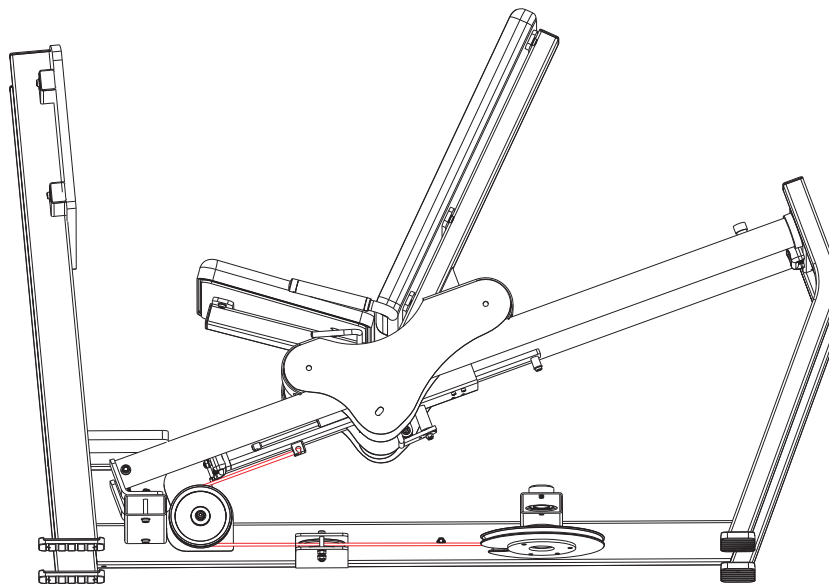
# PSSLPSE SEATED LEG PRESS CABLE ROUTING

---

Note: Some components removed for display purposes.



**7423721 WEIGHT STACK CABLE**



**7423803 LOWER CAM CABLE**

PSSLPSE SEATED LEG PRESS  
IMAGE

---

