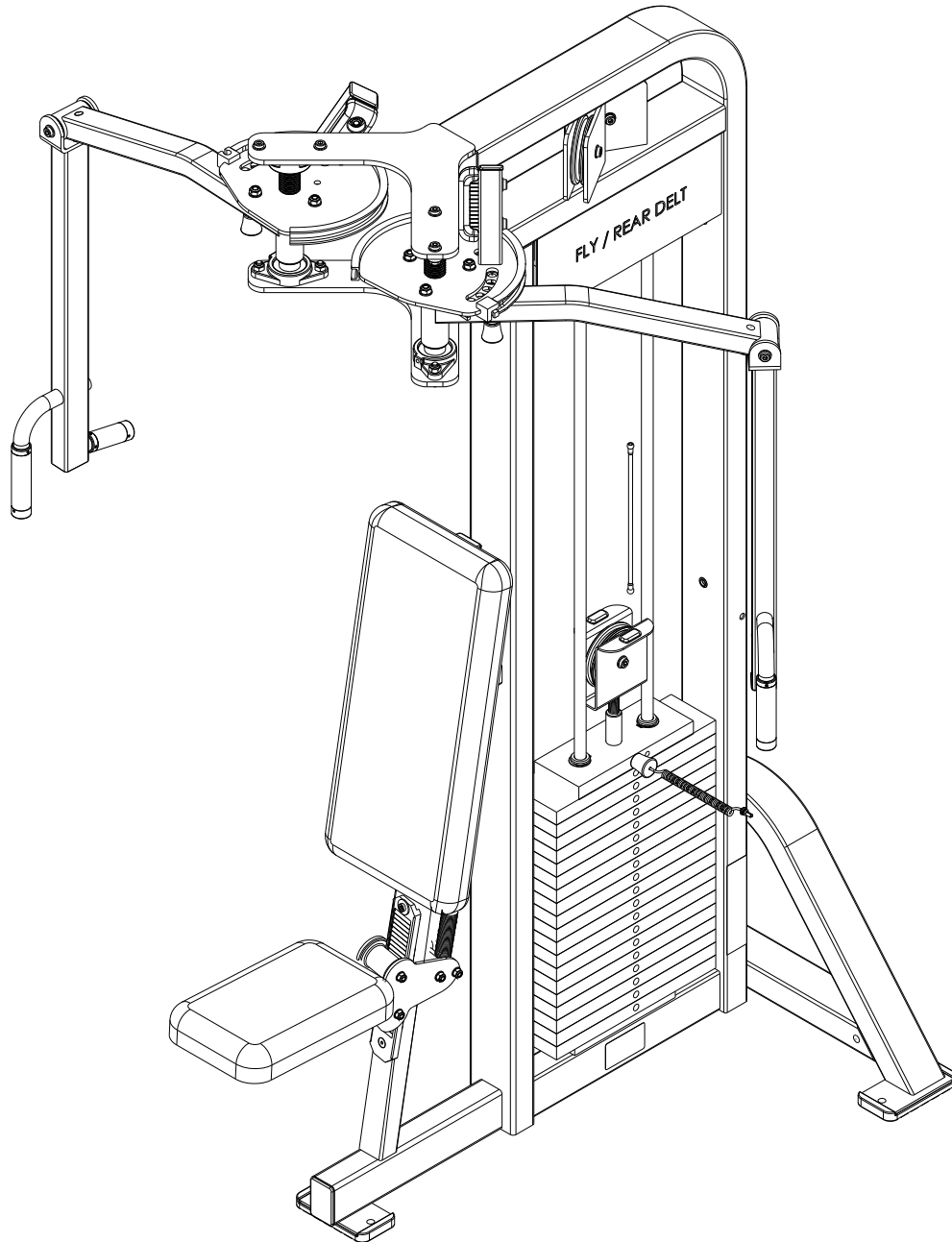




PRO 2 SERIES
PSFLYSE
PECTORAL FLY / REAR DELTOID



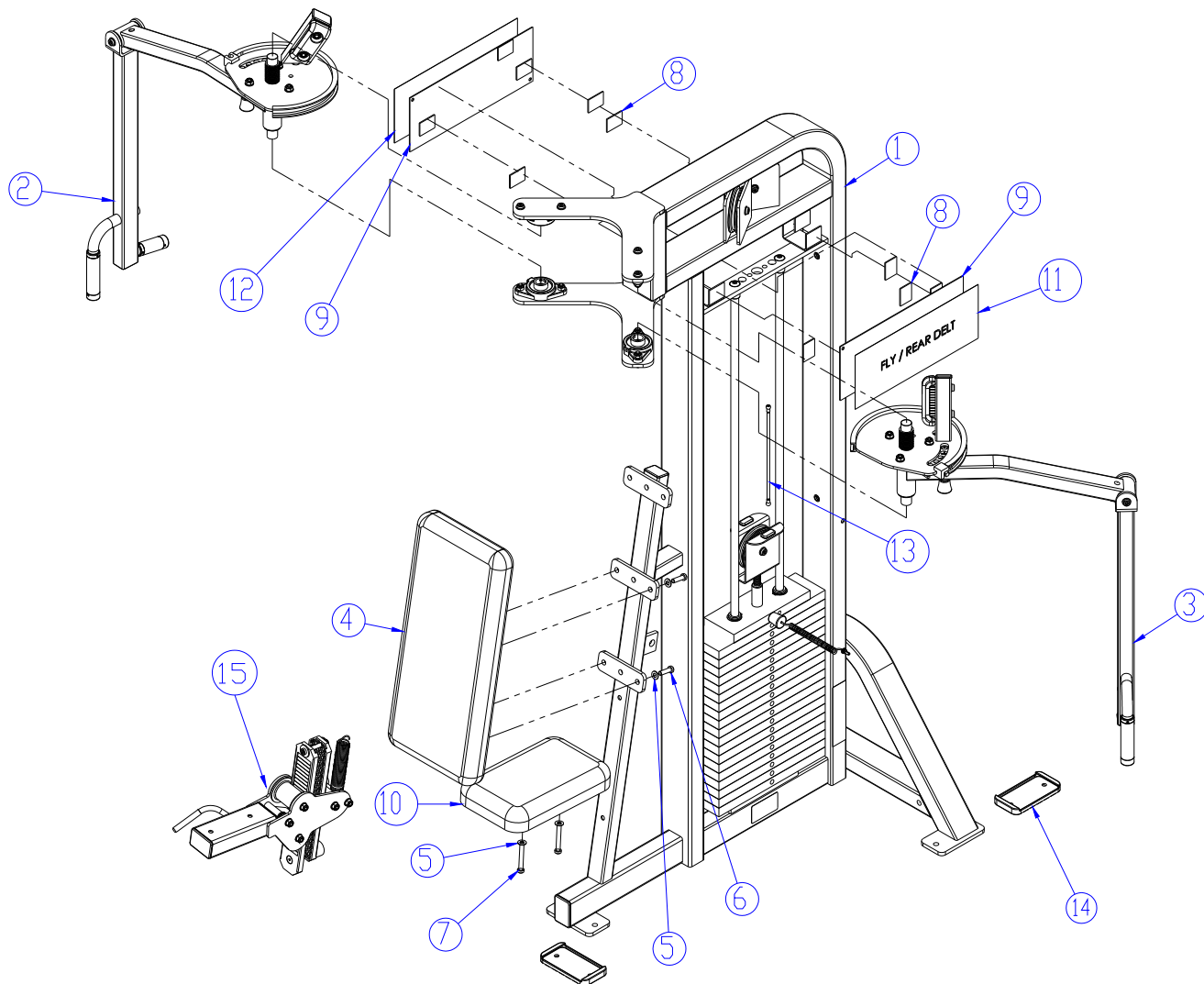
Customer Support Services
PARTS MANUAL

PSFLYSE PECTORAL FLY/REAR DELTOID

Contents

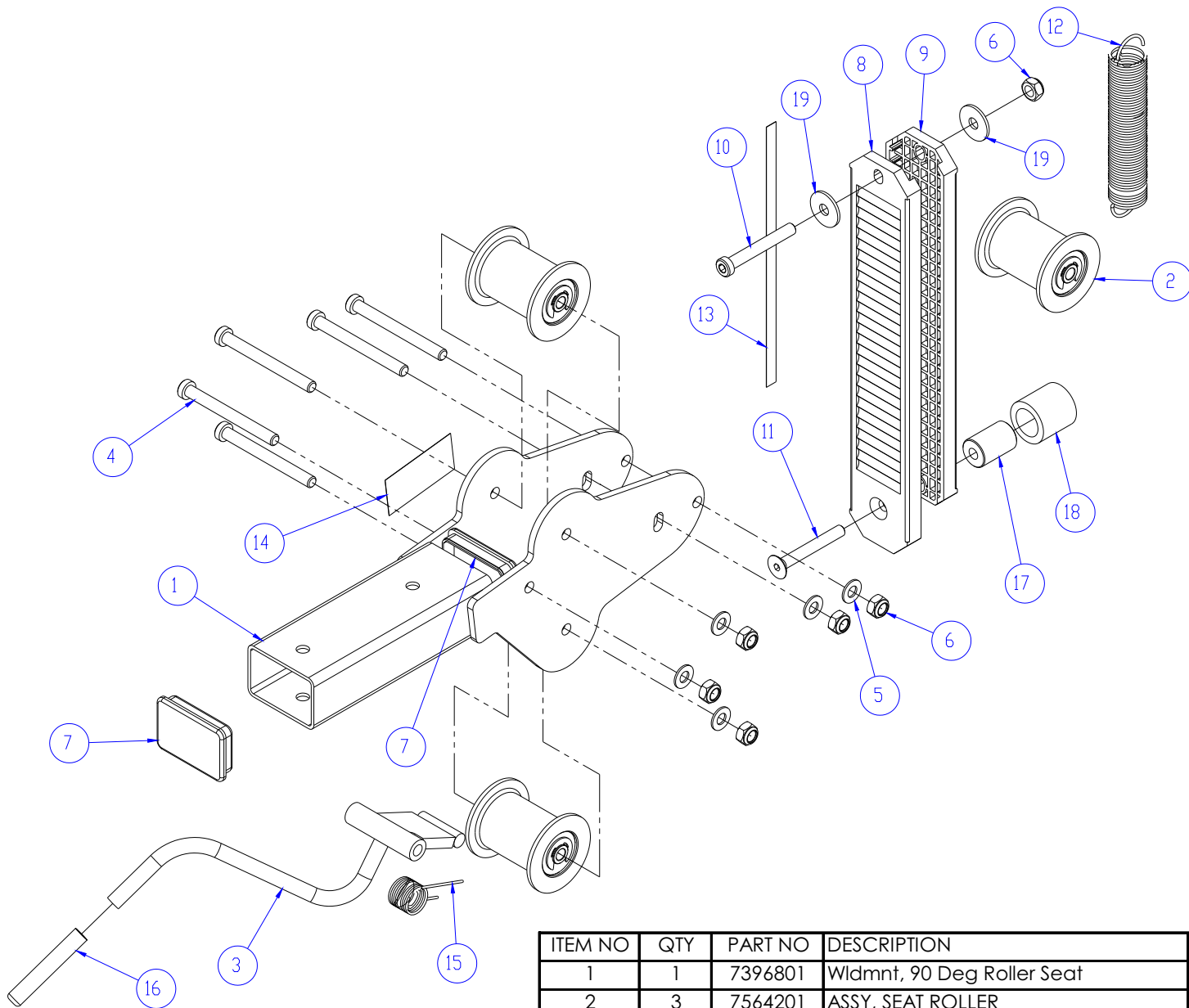
	PAGE
COMPONANT ASSEMBLY	3
97° ROLLER SEAT ASSEMBLY	4
RIGHT WORKARM ASSEMBLY	5
LEFT WORKARM ASSEMBLY	6
STACK FRAME ASSEMBLY	7
300LB WEIGHT STACK ASSEMBLY	8
INCREMENT WEIGHT ASSEMBLY	9
INCREMENT WEIGHT W/STRIKER	10
REAR SHROUD KIT	11
OPTIONAL FULL SHROUD KIT	12

PSFLYSE PECTORAL FLY/REAR DELTOID COMPONENT ASSEMBLY



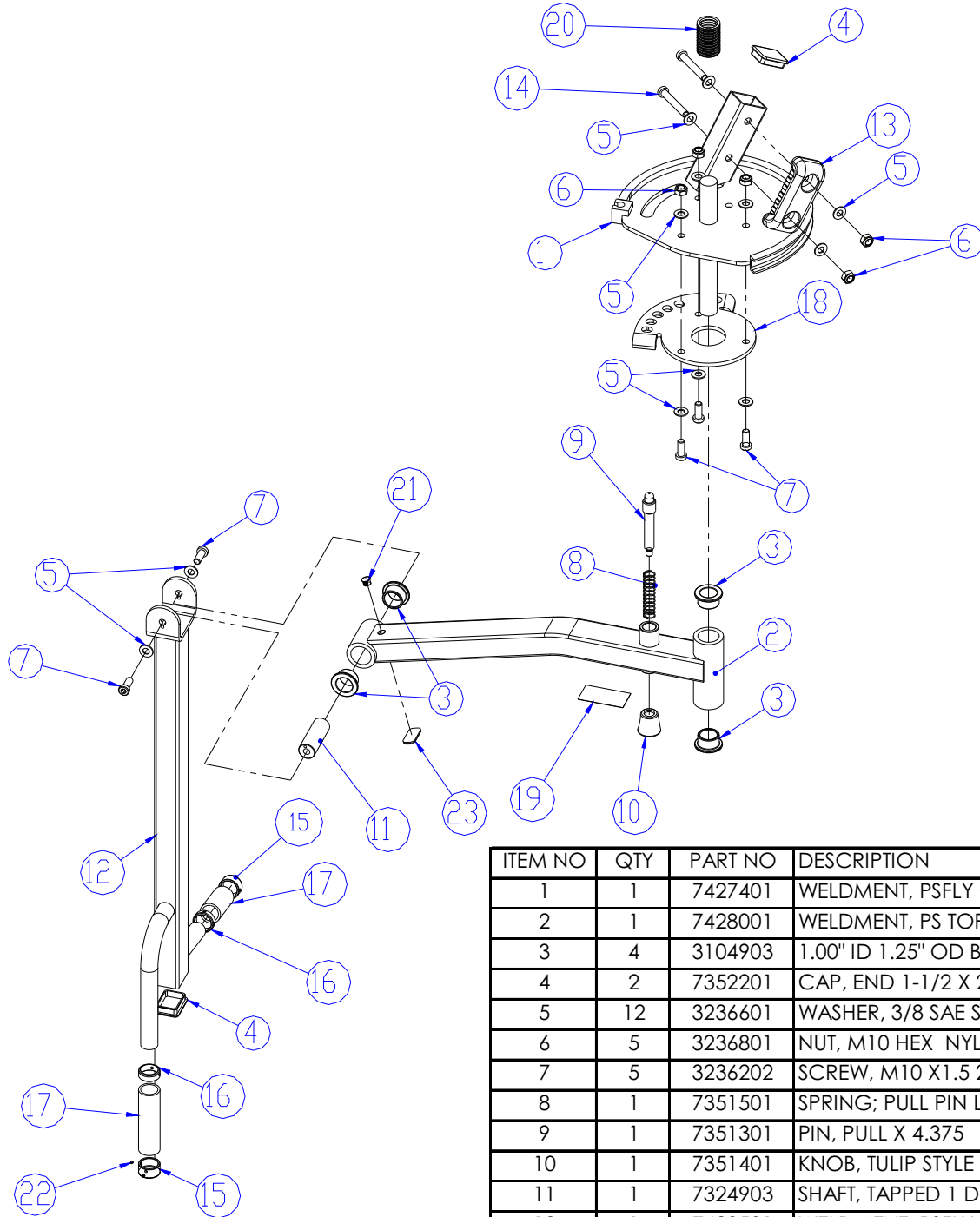
ITEM NO	QTY	PART NO	DESCRIPTION
1	1	7425801	ASSY, PSFLY STACK FRAME
2	1	7427301	ASSY, PSFLY WORKARM RHT
3	1	7427801	ASSY, PSFLY WORKARM LFT
4	1	7398801	PAD, BACK 25 X 11-1/4
5	6	3236601	WASHER, 3/8 SAE SS
6	4	3236204	SCREW, M10 X1.5 35MM
7	2	3236212	SCREW, M10 X1.5 75MM
8	12	7544202	PAD, DUAL LOCK 250 1.5" X 2.0"
9	2	7415402	COVER, STACK-PRO2 RECT.
10	1	7398901	PAD, SEAT 13-1/4 X 8-1/4
11	1	7446201	LABEL, PSFLY PLACARD
12	1	7490901	LABEL, PSFLY LOGO PANEL
13	1	7423802	CABLE, PSFLY
14	3	7388201	Footpad, PS Rubber
15	1	7396701	97 DEG, ROLLER SEAT ASSY.

PSFLYSE PECTORAL FLY/REAR DELTOID 97 DEGREE ROLLER SEAT ASSEMBLY - 7396701



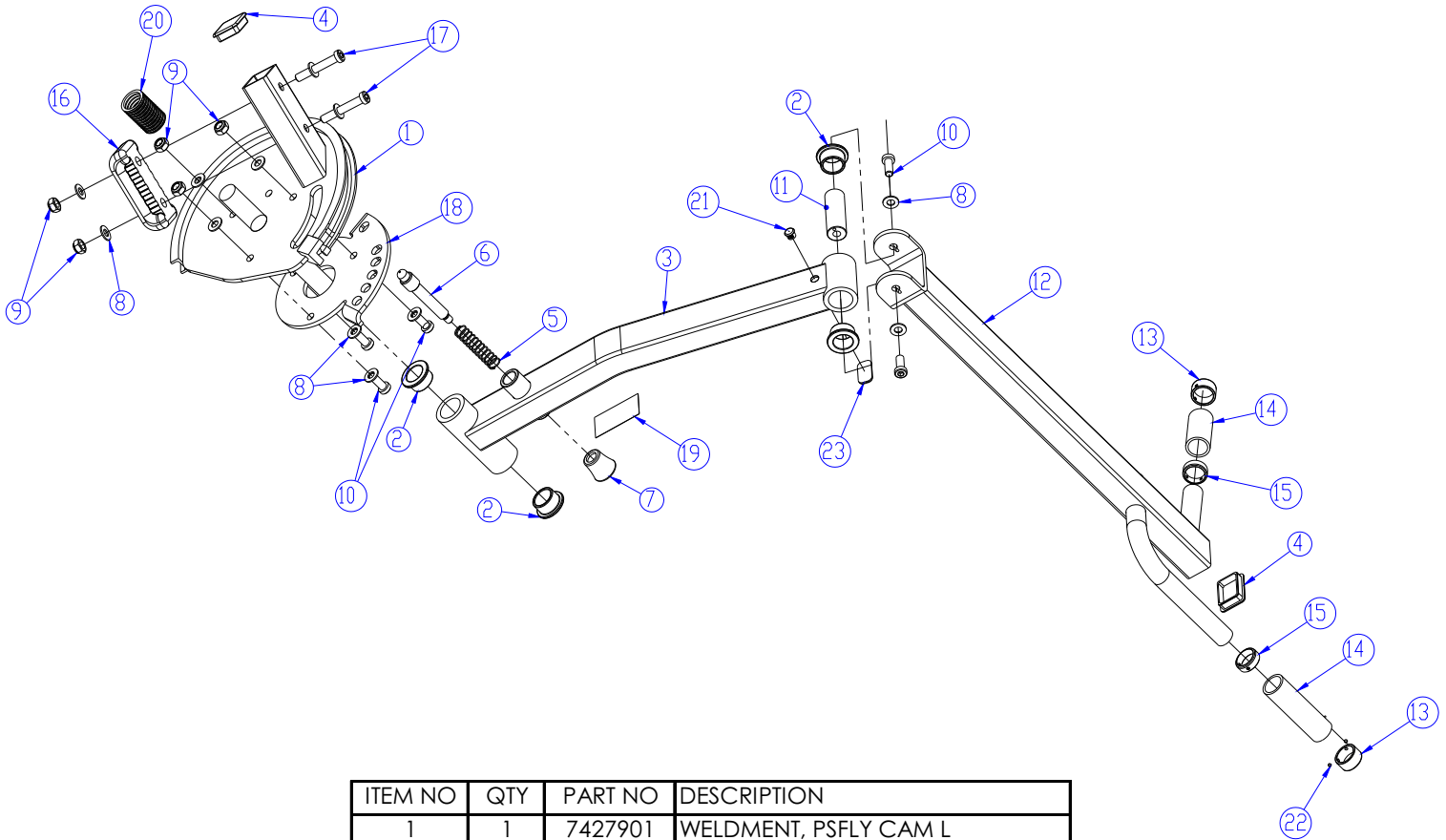
ITEM NO	QTY	PART NO	DESCRIPTION
1	1	7396801	Wldmnt, 90 Deg Roller Seat
2	3	7564201	ASSY, SEAT ROLLER
3	1	7387595	WELDMNT, PS-ROLLER SEAT HANDLE
4	5	3236217	SCREW, M10 X1.5 100MM
5	5	3236601	WASHER, 3/8 SAE SS
6	6	3236801	NUT, M10 HEX NYLOCK SS
7	2	7352301	CAP, END 2 X 3
8	1	7564301	SEATRACK, ROLLER SERRATED
9	1	7564401	SEATRACK, FLAT
10	1	3236212	SCREW, M10 X1.5 75MM
11	1	3238312	M10x1.5x75mm
12	1	7442601	SPRING, PRO2 ROLLER SEAT
13	1	7422002	LABEL, SEAT ADJUST
14	1	7422001	LABEL, SEAT INST
15	1	7442701	SPRNG, PRO2 HANDLE TORSION
16	1	3238502	CAP, 1/2 X 3
17	1	7570601	STOP, ROLLER SEAT
18	1	3235802	GRIP, SHADOW GRAY, 1.5"
19	2	3236602	WASHER, 3/8 ID X 1.25 OD SS

PSFLYSE PECTORAL FLY/REAR DELTOID RIGHT WORKARM ASSEMBLY - 7427301



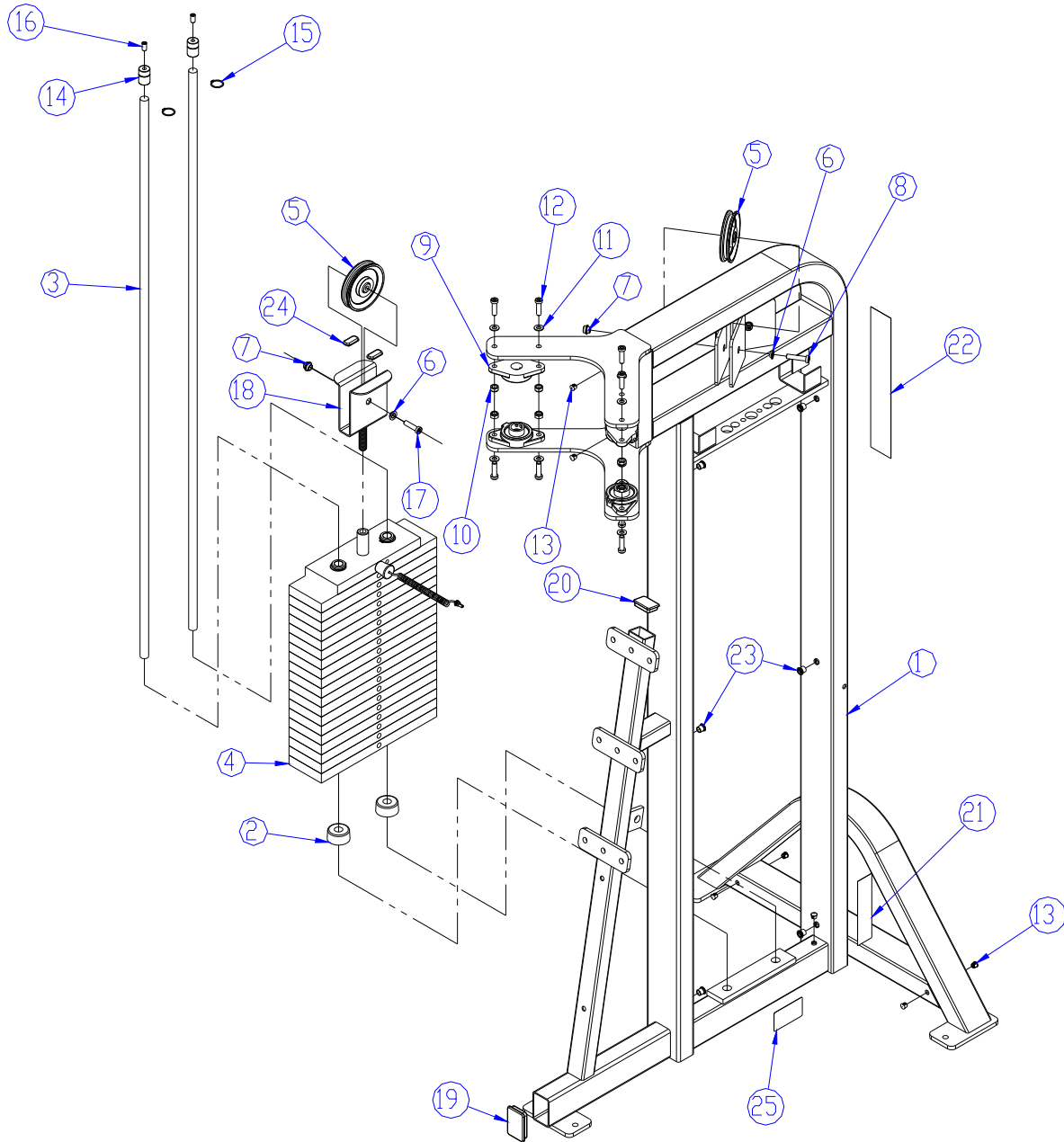
ITEM NO	QTY	PART NO	DESCRIPTION
1	1	7427401	WELDMENT, PSFLY CAM R
2	1	7428001	WELDMENT, PS TOP WORKARM
3	4	3104903	1.00" ID 1.25" OD BRONZ BUSHING
4	2	7352201	CAP, END 1-1/2 X 2
5	12	3236601	WASHER, 3/8 SAE SS
6	5	3236801	NUT, M10 HEX NYLOCK SS
7	5	3236202	SCREW, M10 X1.5 25MM
8	1	7351501	SPRING; PULL PIN LARGE
9	1	7351301	PIN, PULL X 4.375
10	1	7351401	KNOB, TULIP STYLE
11	1	7324903	SHAFT, TAPPED 1 DIA X 2.813
12	1	7428501	WELDMENT, PSFLY SWINGARM
13	1	7352001	BUMPER, 2-1/8 X 4-5/8
14	2	3236210	SCREW, M10 X1.5 65MM
15	2	7662901	CAP, GRIP 1.25 OD
16	2	7662801	RING, GRIP 1.25 OD
17	2	3235801	GRIP, 1.25 OD OPEN END
18	1	7428301	FLANGE, PSFLY RANGE RIGHT
19	1	7422003	LABEL, MOVING PARTS
20	1	6912804	SLEEVE, ACCRDN 1.0 ID X 2
21	1	3237401	PLUG, 7/16" HOLE
22	8	3247701	M4 X .7 HXS NO CUP ST BO
23	1	7570801	Guard, Paint 1.25"x.75"x.25"

PSFLYSE PECTORAL FLY/REAR DELTOID LEFT WORKARM ASSEMBLY - 7427801



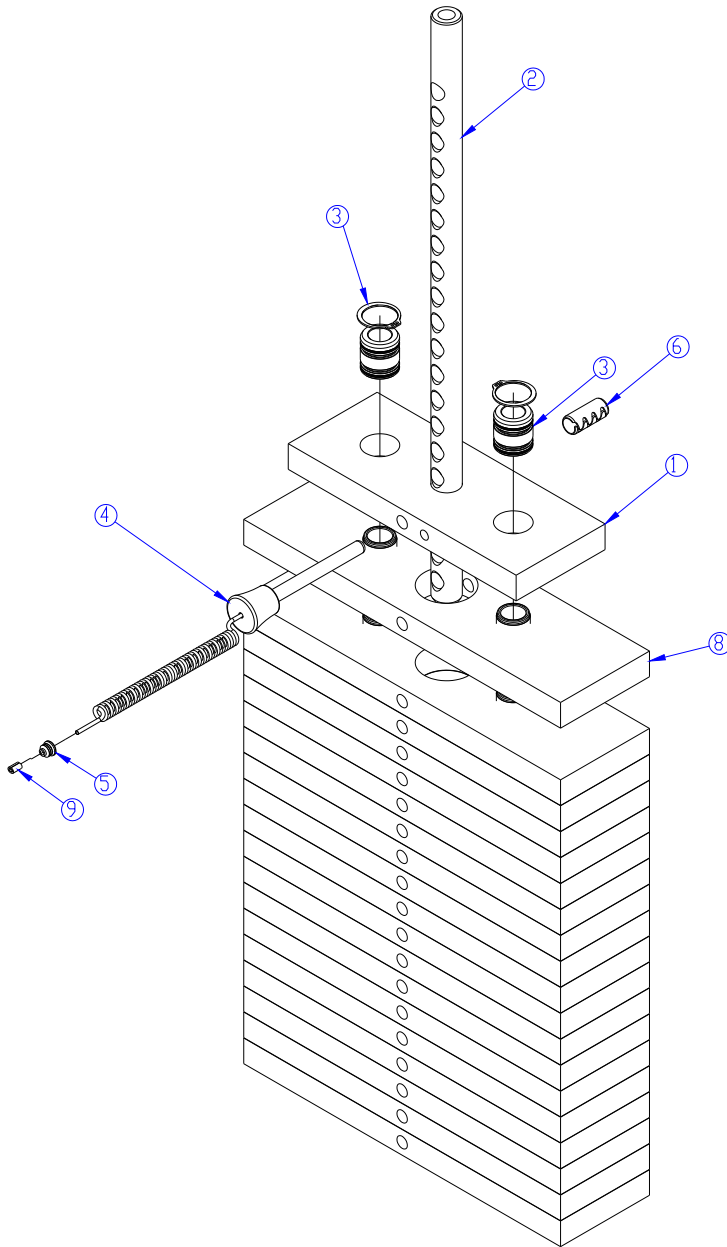
ITEM NO	QTY	PART NO	DESCRIPTION
1	1	7427901	WELDMENT, PSFLY CAM L
2	4	3104903	1.00" ID 1.25" OD BRONZ BUSHING
3	1	7428001	WELDMENT, PS TOP WORKARM
4	2	7352201	CAP, END 1-1/2 X 2
5	1	7351501	SPRING; PULL PIN LARGE
6	1	7351301	PIN, PULL X 4.375
7	1	7351401	KNOB, TULIP STYLE
8	12	3236601	WASHER, 3/8 SAE SS
9	5	3236801	NUT, M10 HEX NYLOCK SS
10	5	3236202	SCREW, M10 X1.5 25MM
11	1	7324903	SHAFT, TAPPED 1 DIA X 2.813
12	1	7428501	WELDMENT, PSFLY SWINGARM
13	2	7662901	CAP, GRIP 1.25 OD
14	2	3235801	GRIP, 1.25 OD OPEN END
15	2	7662801	RING, GRIP 1.25 OD
16	1	7352001	BUMPER, 2-1/8 X 4-5/8
17	2	3236210	SCREW, M10 X1.5 65MM
18	1	7429101	FLANGE, PSFLY RANGE LEFT
19	1	7422003	LABEL, MOVING PARTS
20	1	6912804	SLEEVE, ACCRDN 1.0 ID X 2
21	1	3237401	PLUG, 7/16" HOLE
22	8	3247701	M4 X .7 HXS NO CUP ST BO
23	1	7570801	Guard, Paint 1.25"x.75"x.25"

PSFLYSE PECTORAL FLY/REAR DELTOID STACK FRAME ASSEMBLY - 7425801



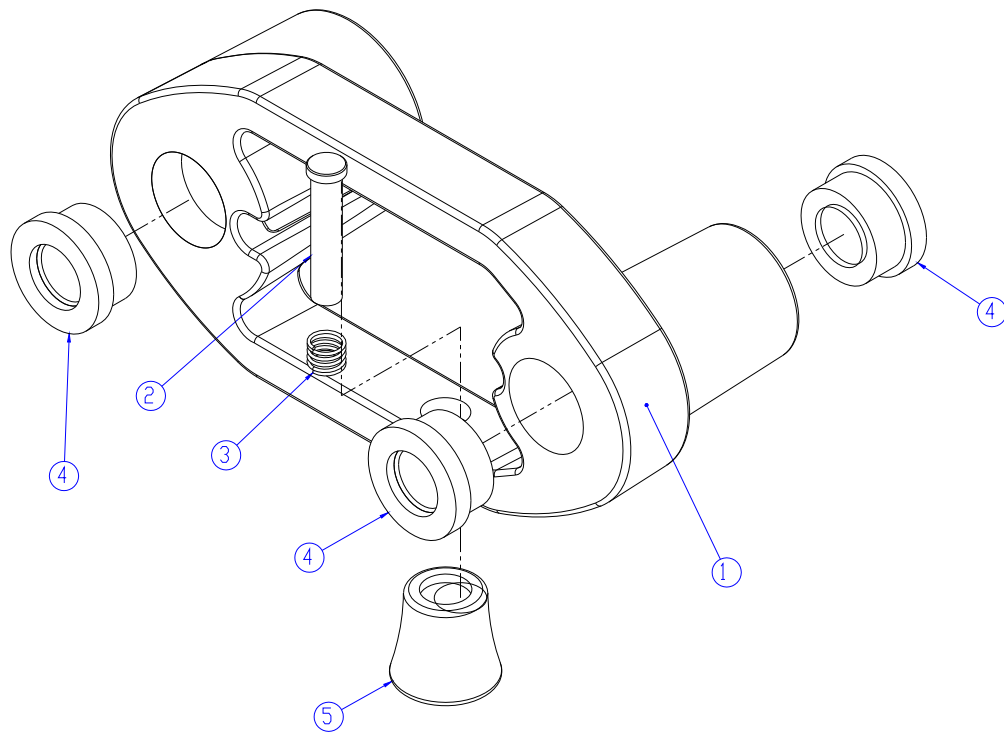
ITEM NO	QTY	PART NO	DESCRIPTION	13	8	3237401	PLUG, 7/16" HOLE
1	1	7425901	WELDMT, PSFLY MAIN	14	2	7402301	RETAINER, GUIDEROD
2	2	7352101	CUSHION, WEIGHT STACK	15	2	3232421	RING, BRE .940, 5100-100 ST PP B
3	2	7328606	GUIDE ROD, .75 OD SOLID 59.63	16	2	3240501	M10 X 1.5 HXS NO CUP ST BO
4	1	7353501	ASSY, 300LB STACK	17	1	3236205	SCREW, M10 X1.5 40MM
5	3	3237801	PULLEY, 4.5" OD	18	1	7425795	WELDMENT, FLOATING PULLEY
6	3	7348101	WASHER, SPACER	19	1	7352301	CAP, END 2 X 3
7	3	7335401	NUT, M10 X 1.5 SOCKET HEAD	20	1	7352201	CAP, END 1-1/2 X 2
8	2	3236206	SCREW, M10 X1.5 45MM	21	1	7422004	LABEL, 2" ASTM WARN
9	4	3237701	ASSY, PILLOW BLOCK 4.88 X 2.75	22	1	7348001	LABEL, LIFE FITNESS LOGO
10	8	3236801	NUT, M10 HEX NYLOCK SS	23	6	3238101	NUT, BLIND INSERT M10 X 1.5
11	8	3236601	WASHER, 3/8 SAE SS	24	2	7570801	Guard, Paint 1.25"x.75"x.25"
12	8	3236204	SCREW, M10 X1.5 35MM	25	1	7571301	LABEL, SERIAL NUMBER

PSFLYSE PECTORAL FLY/REAR DELTOID WEIGHT STACK ASSY 300LB - 7353501



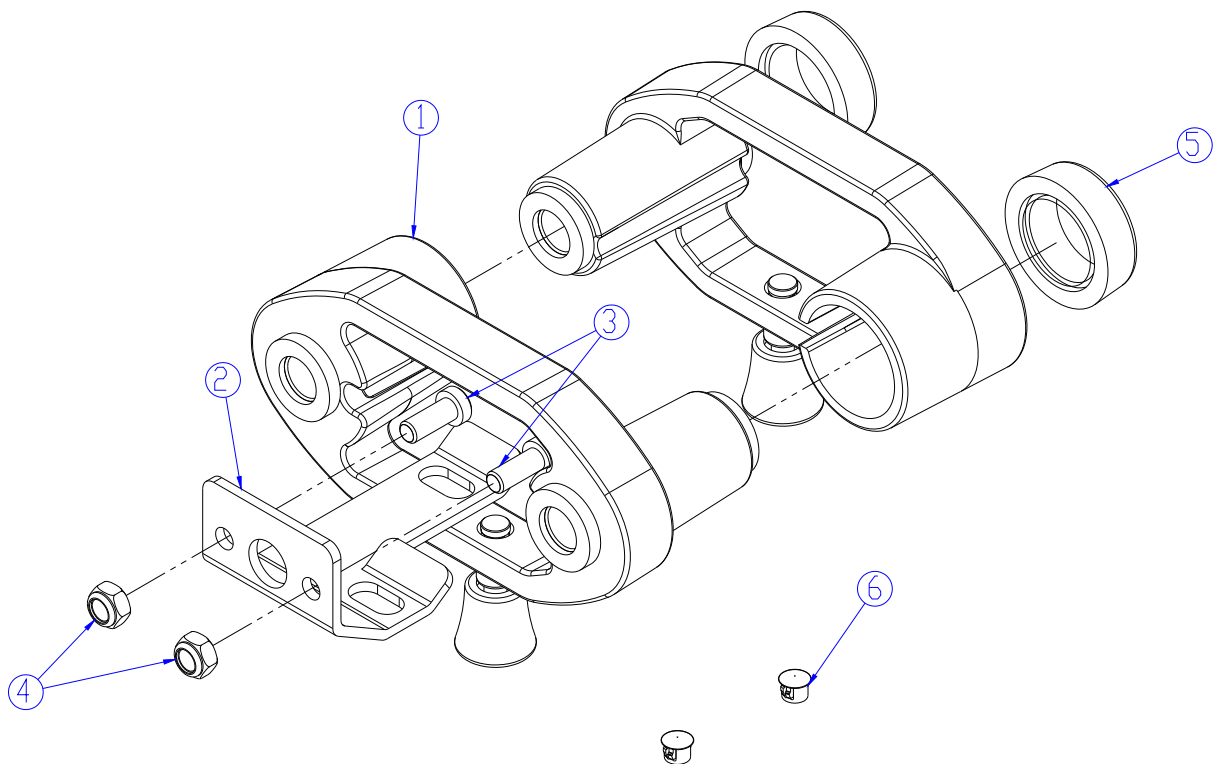
ITEM NO	QTY	PART NO	DESCRIPTION
1	1	7353901	HEADPLATE, WT. STACK
2	1	7356600	STEM, PRO2 19 HOLE
3	2 / 2	7338001	HEADPLATE BUSHING & CLIP
4	1	7353001	ASSY, SELECTOR PIN
5	1	7356501	PLUG, LANYARD ATTACHMENT
6	1	3236001	BUSHING, SPRING PIN
8	19	7353801	ASSY, 15 LB PLATE
9	1	7523601	CRIMP, CABLE

PSFLYSE PECTORAL FLY/REAR DELTOID 5LB INCREMENT WEIGHT ASSEMBLY - 7446501



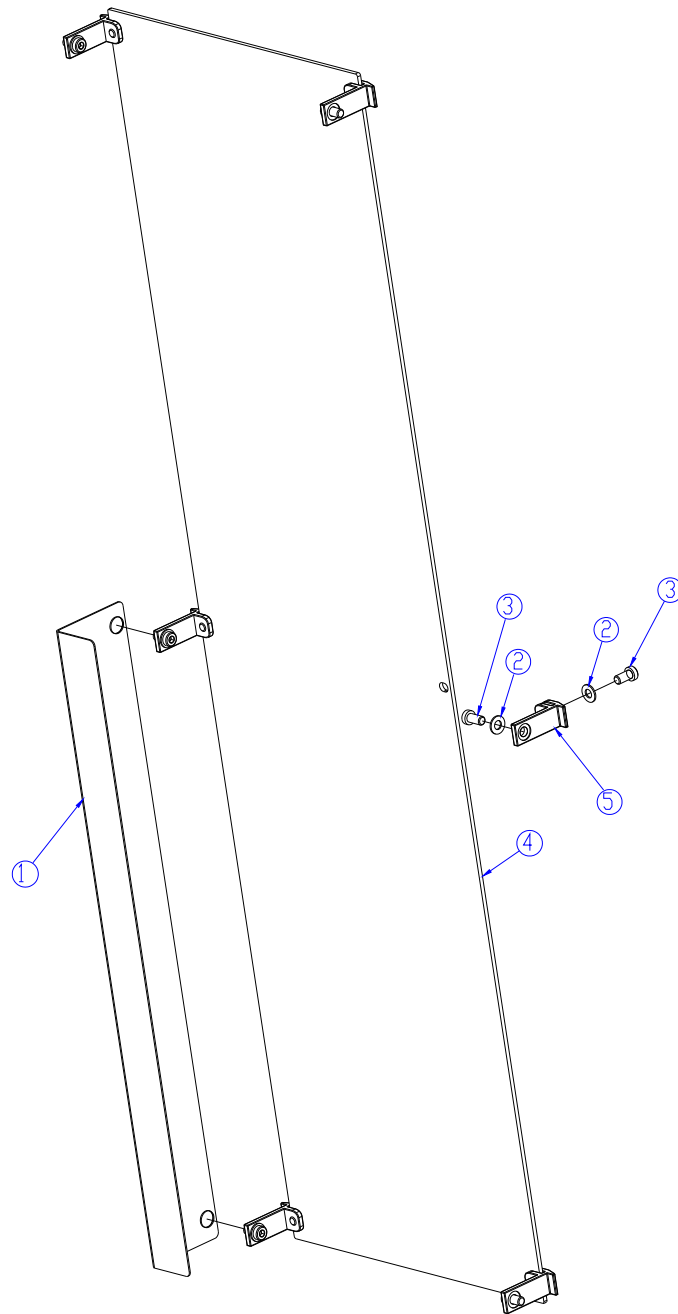
ITEM NO	QTY	PART NO	DESCRIPTION
1	1	7446602	BODY, 5LB INCREMENT WEIGHT
2	1	7446901	PIN, RETAINING
3	1	7447001	SPRING, COMPRESSION
4	3	7560001	BUSHING, MTS, INC WEIGHT
5	1	7351401	KNOB, TULIP STYLE

PSFLYSE PECTORAL FLY/REAR DELTOID INCREMENT WEIGHT W/STRIKER - 7415101



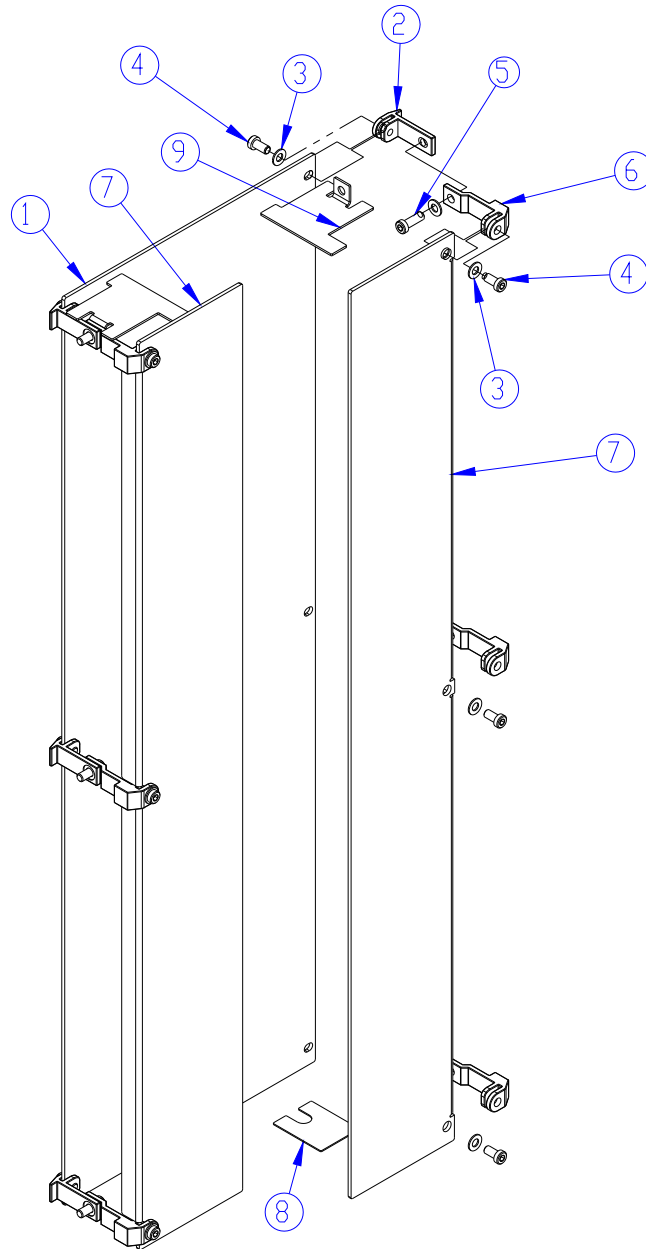
ITEM NO	QTY	PART NO	DESCRIPTION
1	2	7446501	ASSY, 5LB INCREMENT WEIGHT
2	1	7447101	PLATE, INCR. WT STRIKER
3	2	3236202	SCREW, M10 X1.5 25MM
4	2	3236801	NUT, M10 HEX NYLOCK SS
5	2	7767601	BUMPER, PS INCREMENT WT
6	2	3237401	PLUG, 7/16" HOLE

PSFLYSE PECTORAL FLY/REAR DELTOID REAR SHROUD KIT - 7601001



ITEM NO	QTY	PART NO	DESCRIPTION
1	1	7600801	GUARD, PSFLY KNEE
2	12	3236601	WASHER, 3/8 SAE SS
3	12	3236201	SCREW, M10 X1.5 20MM
4	1	7376806	SHIELD, PS REAR
5	6	7655301	BRACKET, PS REAR SHIELD

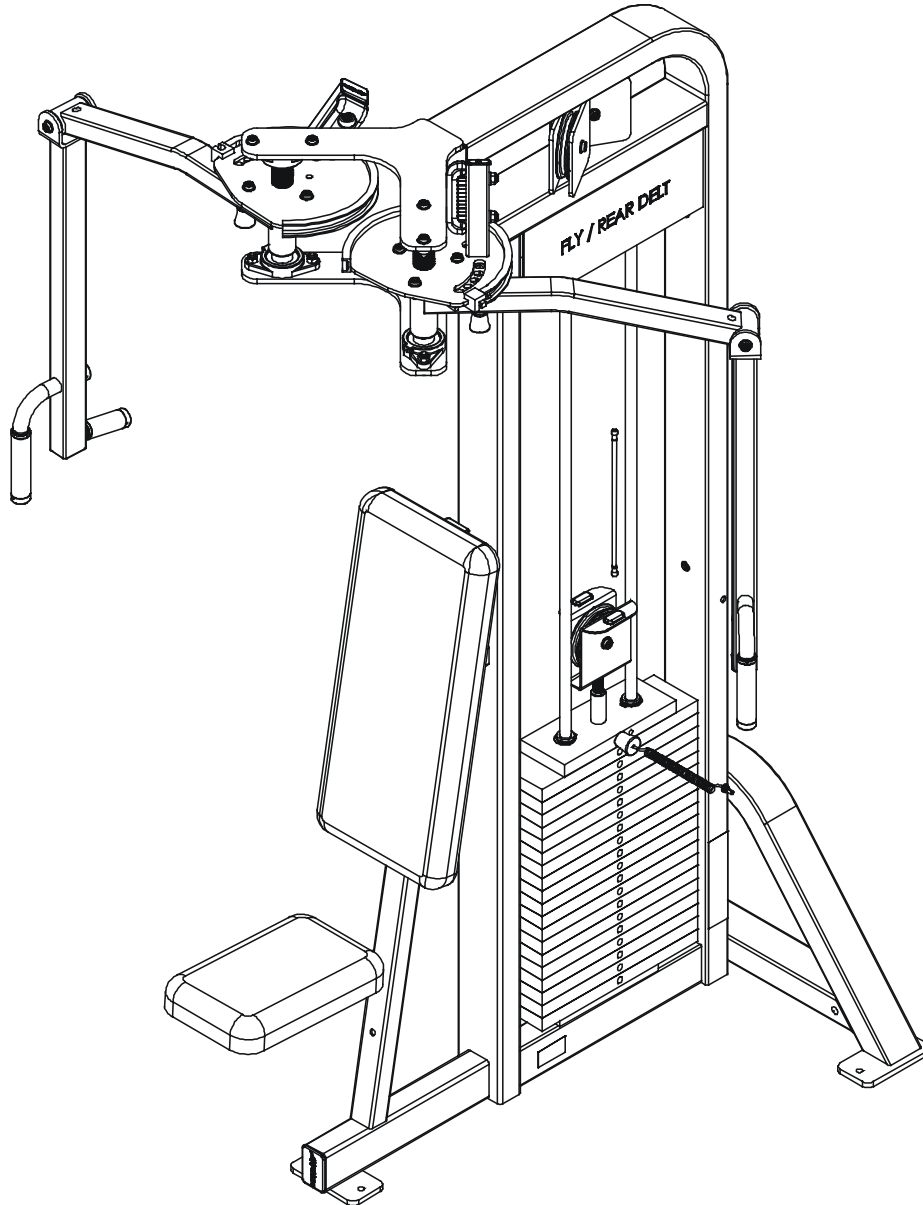
PSFLYSE PECTORAL FLY/REAR DELTOID OPTIONAL FULL SHROUD KIT - 7539606



ITEM NO	QTY	PART NO	DESCRIPTION
1	1	7376806	SHIELD, PS REAR
2	6	7655301	BRACKET, PS REAR SHIELD
3	18	3236601	WASHER, 3/8 SAE SS
4	12	3236201	SCREW, M10 X1.5 20MM
5	6	3236203	SCREW, M10 X1.5 30MM
6	6	7376601	BRACKET, PS FRONT SHIELD
7	2	7376906	SHIELD, PS - FRONT
8	2	7570901	PLATE, PS SHIELD STAND-OFF
9	2	7657401	PLATE, PRO2 SHROUD SPCR

LifeFitness

PRO SERIES II PSFLY REAR DELTOID ASSEMBLY



Customer Support Services **PARTS MANUAL**

PSFLY REAR DELTOID ASSEMBLY

Notes:

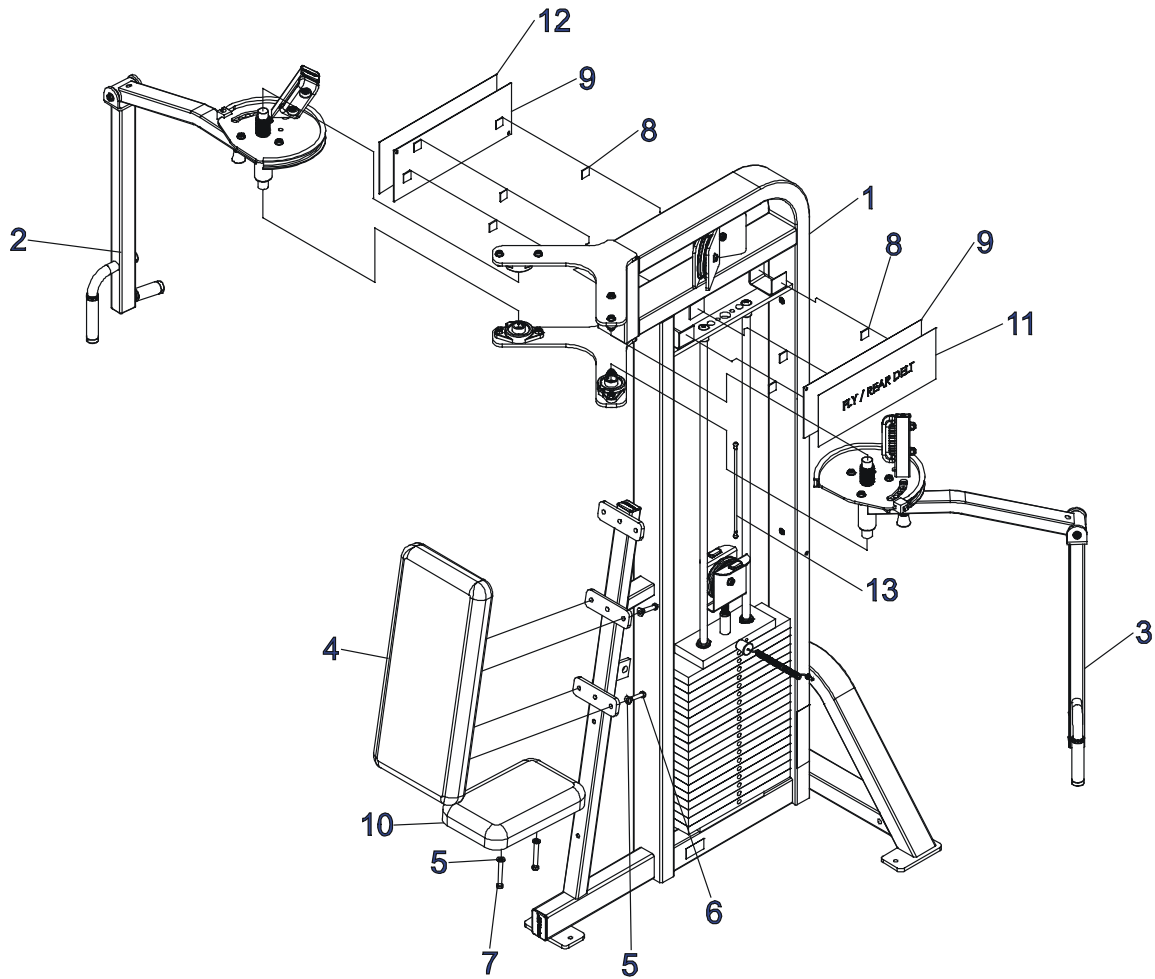
PSFLY REAR DELTOID ASSEMBLY

Contents

	PAGE
COMPONENT ASSEMBLY.....	4
STACKFRAME ASSEMBLY.....	5
WORKARM RIGHT ASSEMBLY	6
WORKARM LEFT ASSEMBLY	7
90 DEGREE BASE SEAT ASSEMBLY	8
ADD-ON INCREMENT WEIGHT.....	9
WEIGHT STACK 300LB	10

PSFLY REAR DELTOID ASSEMBLY

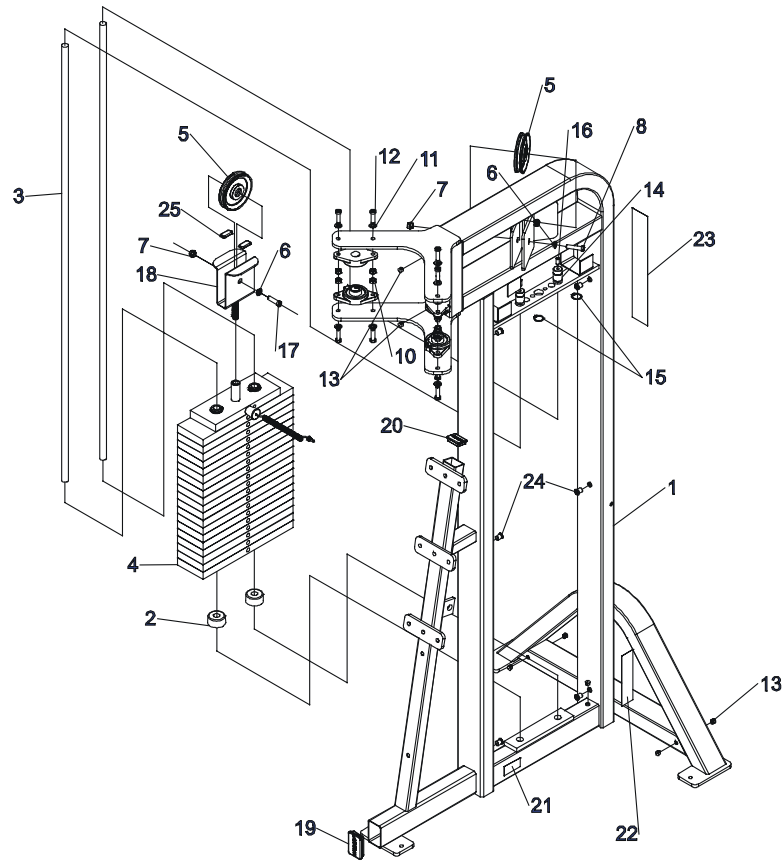
COMPONENT ASSEMBLY



ITEM NO.	QTY.	PART NO.	DESCRIPTION
1	1	7425801	ASSY, PSFLY STACK FRAME
2	1	7427301	ASSY, PSFLY WORKARM RHT
3	1	7427801	ASSY, PSFLY WORKARM LFT
4	1	7398801	PAD, BACK 25 X 11-1/4
5	6	3236601	WASHER, 3/8 SAE SS
6	4	3236205	SCREW, M10 X1.5 40MM
7	2	3236212	SCREW, M10 X1.5 75MM
8	12	7544201	PAD, DUAL LOC 400, 1" X 1"
9	2	7415401	COVER, STACK PSFLY
10	1	7398901	PAD, SEAT 13-1/4 X 8-1/4
11	1	7446201	LABEL, PSFLY PLACARD
12	1	7490901	LABEL, PRO2 LOGO PSFLY
13	1	7423802	CABLE, PSFLY

PSFLY REAR DELTOID ASSEMBLY

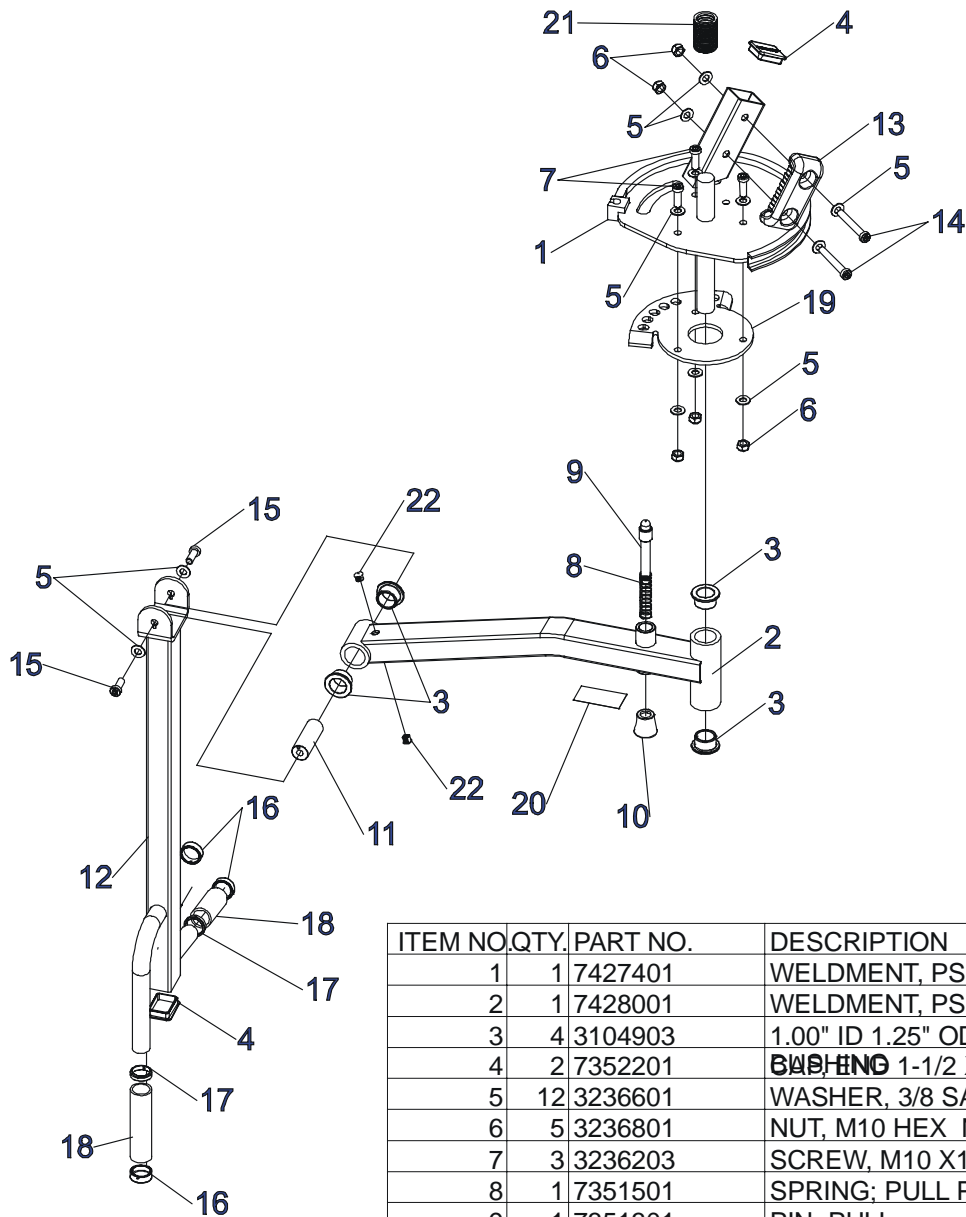
STACK FRAME ASSEMBLY



ITEM NO.	QTY.	PART NO.	DESCRIPTION
1	1	7425901	WELDMT, PSFLY MAIN
2	2	7352101	CUSHION, WEIGHT STACK
3	2	7328606	GUIDE ROD, .75 OD SOLID 59.63
4	1	7353501	ASSY, 300LB STACK
5	3	3237801	PULLEY, 4.5" OD
6	3	7348101	WASHER, SPACER
7	3	7335401	NUT, M10 X 1.5 SOCKET HEAD
8	2	3236206	SCREW, M10 X1.5 45MM
9	4	3237701	ASSY, PILLOW BLOCK 4.88 X 2.75
10	8	3236801	NUT, M10 HEX NYLOCK SS
11	8	3236601	WASHER, 3/8 SAE SS
12	8	3236204	SCREW, M10 X1.5 35MM
13	8	3237401	PLUG, 7/16" HOLE
14	2	7402301	RETAINER, GUIDEROD
15	2	3232421	RING, BRE .940, 5100-100 ST PP B
16	2	3240501	M10 X 1.5 HXS NO CUP ST BO
17	1	3236205	SCREW, M10 X1.5 40MM
18	1	7425795	WELDMENT, FLOATING PULLEY
19	1	7352301	CAP, END 2 X 3
20	1	7352201	CAP, END 1-1/2 X 2
21	1	7422007	LABEL, SERIAL NO
22	1	7422004	LABEL, 2" ASTM WARN
23	1	7348001	LABEL, LIFE FITNESS LOGO
24	6	3238101	NUT, BLIND INSERT M10 X 1.5
25	2	7570801	Guard, Paint 1.25"x.75"x.25"

PSFLY REAR DELTOID ASSEMBLY

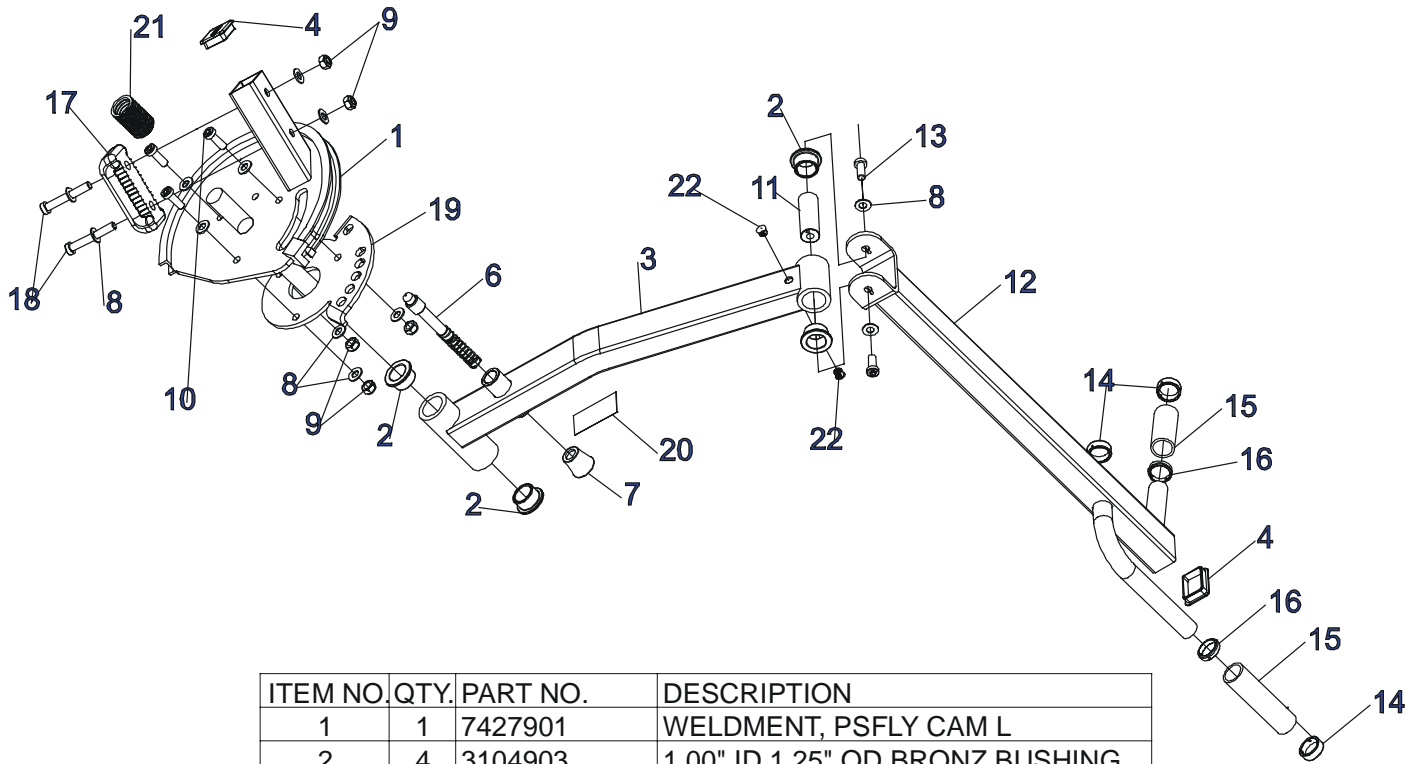
WORKARM RIGHT ASSEMBLY



ITEM NO.	QTY.	PART NO.	DESCRIPTION
1	1	7427401	WELDMENT, PSFLY CAM R
2	1	7428001	WELDMENT, PS TOP WORKARM
3	4	3104903	1.00" ID 1.25" OD BRONZ
4	2	7352201	WASHER 1-1/2 X 2
5	12	3236601	WASHER, 3/8 SAE SS
6	5	3236801	NUT, M10 HEX NYLOCK SS
7	3	3236203	SCREW, M10 X1.5 30MM
8	1	7351501	SPRING; PULL PIN LARGE
9	1	7351301	PIN, PULL
10	1	7351401	KNOB, TULIP STYLE
11	1	7324903	SHAFT, TAPPED 1 DIA X "L"
12	1	7428501	WELDMENT, PSFLY SWINGARM
13	1	7352001	BUMPER, 2-1/8 X 4-5/8
14	2	3236211	SCREW, M10 X1.5 70MM
15	2	3236202	SCREW, M10 X1.5 25MM
16	3	7306901	CAP, GRIP 1.25 OD
17	2	7315601	RING, GRIP 1.25 OD
18	2	3235801	GRIP, 1.25 OD OPEN END
19	1	7428301	FLANGE, PSFLY RANGE RIGHT
20	1	7422003	LABEL, MOVING PARTS
21	1	6912804	SLEEVE, ACCRDN 1.0 ID
22	2	3237401	PLUG, 7/16" HOLE

PSFLY REAR DELTOID ASSEMBLY

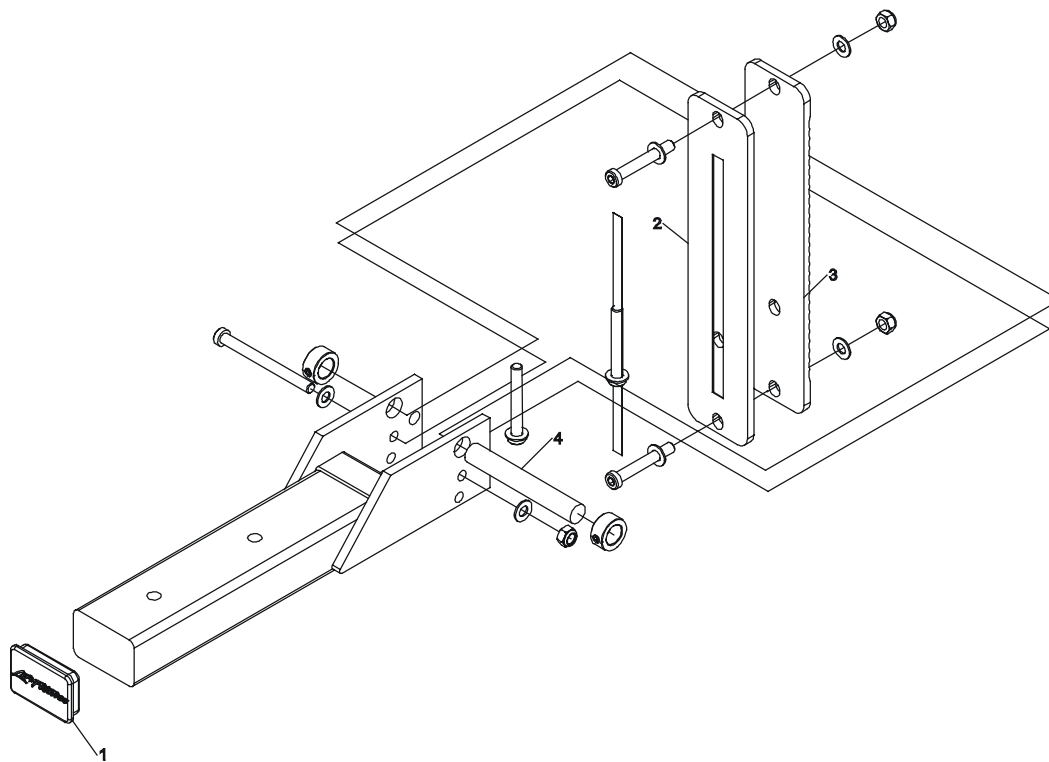
WORKARM LEFT ASSEMBLY



ITEM NO.	QTY.	PART NO.	DESCRIPTION
1	1	7427901	WELDMENT, PSFLY CAM L
2	4	3104903	1.00" ID 1.25" OD BRONZ BUSHING
3	1	7428001	WELDMENT, PS TOP WORKARM
4	2	7352201	CAP, END 1-1/2 X 2
5	1	7351501	SPRING; PULL PIN LARGE
6	1	7351301	PIN, PULL
7	1	7351401	KNOB, TULIP STYLE
8	12	3236601	WASHER, 3/8 SAE SS
9	5	3236801	NUT, M10 HEX NYLOCK SS
10	3	3236203	SCREW, M10 X1.5 30MM
11	1	7324903	SHAFT, TAPPED 1 DIA X "L"
12	1	7428501	WELDMENT, PSFLY SWINGARM
13	2	3236202	SCREW, M10 X1.5 25MM
14	3	7306901	CAP, GRIP 1.25 OD
15	2	3235801	GRIP, 1.25 OD OPEN END
16	2	7315601	RING, GRIP 1.25 OD
17	1	7352001	BUMPER, 2-1/8 X 4-5/8
18	2	3236211	SCREW, M10 X1.5 70MM
19	1	7429101	FLANGE, PSFLY RANGE LEFT
20	1	7422003	LABEL, MOVING PARTS
21	1	6912804	SLEEVE, ACCRDN 1.0 ID
22	2	3237401	PLUG, 7/16" HOLE

PSFLY REAR DELTOID ASSEMBLY

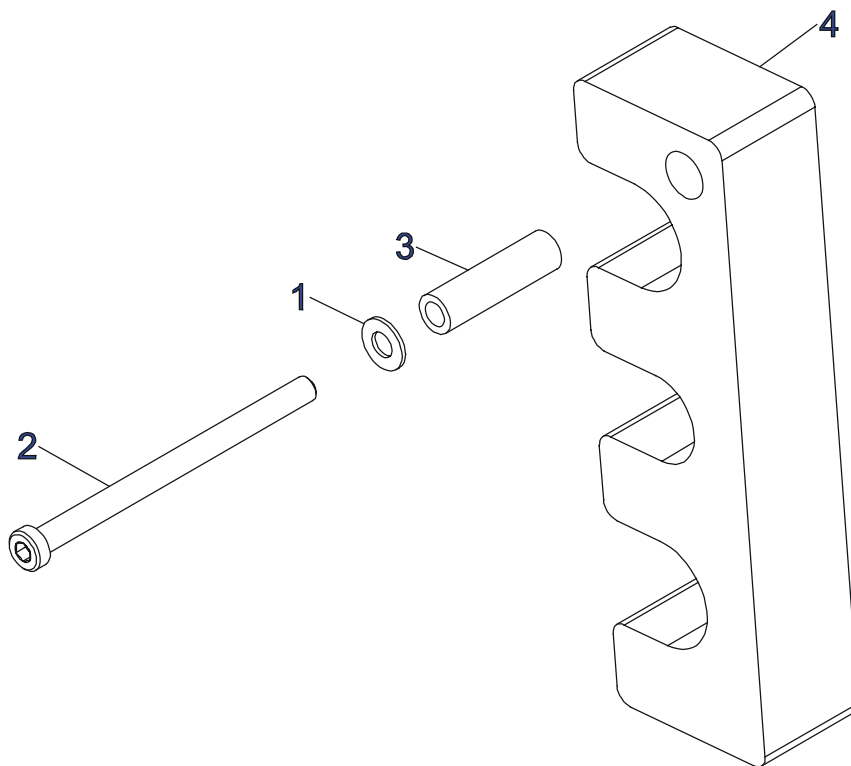
90 DEGREE BASE SEAT ASSY



ITEM NO.	QTY.	PART NO.	DESCRIPTION
1	1	7352301	CAP, END 2 X 3
2	1	7359701	SEATRACK FRONT
3	1	7359801	SEATRACK BACK
4	1	7359301	.75" SS ROUND SEAT PIN

PSFLY REAR DELTOID ASSEMBLY

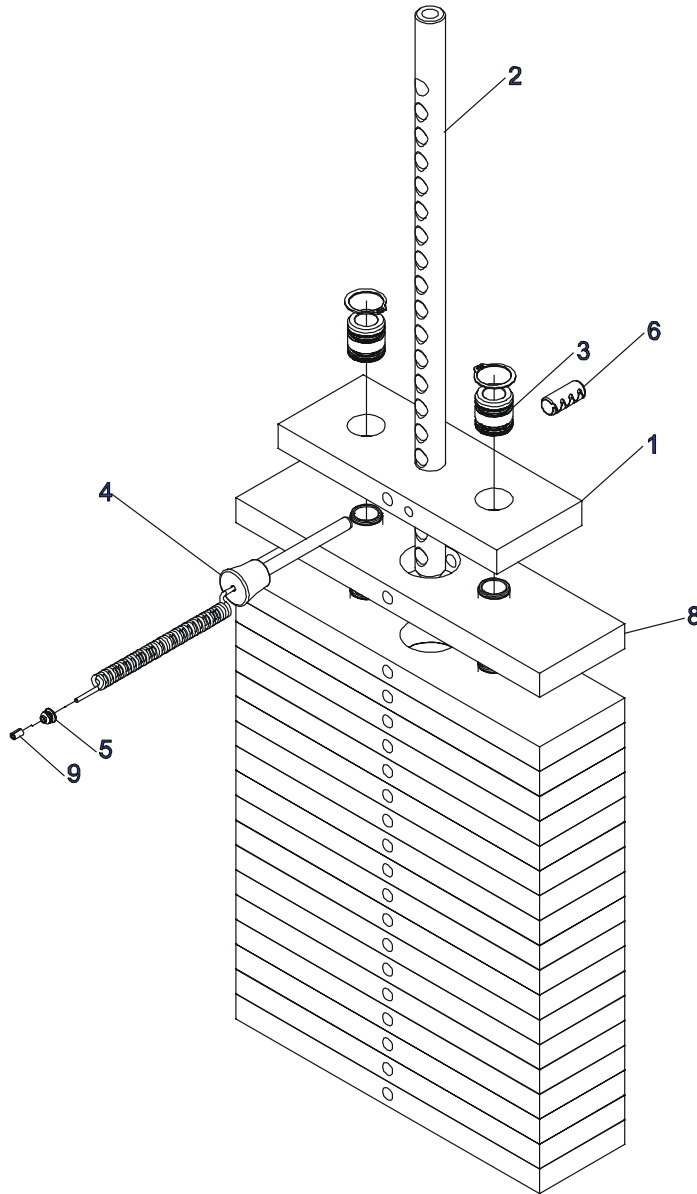
ADD-ON INCREMENT WT ASSY



ITEM NO.	QTY.	PART NO.	DESCRIPTION
1	1	3236601	WASHER, 3/8 SAE SS
2	1	3236221	SCREW, M10 X1.5 140MM
3	1	7401701	COVER, PLASTIC PEG 2-1/4
4	1	7366101	WEIGHT, 7.5 LB. ADD-ON

PSFLY REAR DELTOID ASSEMBLY

WEIGHT STACK ASSY 300LB



ITEM NO	QTY.	PART NO.	DESCRIPTION
1	1	7353901	HEADPLATE, WT. STACK
2	1	7356600	STEM, PRO2 19 HOLE
3	2	7338001	BUSHING, HEADPLATE
4	1	7353001	ASSY, SELECTOR PIN
5	1	7356501	PLUG, LANYARD ATTACHMENT
6	1	3236001	BUSHING, SPRING PIN
8	19	7353801	ASSY, 15 LB PLATE
9	1	7523601	CRIMP, CABLE